

# **RDR9000U/V Service Manual**

## **Foreword**

This manual describes information relating to product repair.

To service the product properly, please read this manual carefully.

This manual covers the following model:

RDR9000

## Disclaimer

The information in this manual is carefully examined and is believed to be entirely reliable. However, no responsibility is assumed for inaccuracies. All the specifications and designs are subject to change without notice due to continuous technology development. No part of this manual may be copied, modified, translated, or distributed in any manner without the prior written permission of the Company.

# Contents

Document Information .....	1
1. Introduction .....	2
2. Product Controls .....	3
3. Baseband Section.....	5
3.1 Power Section .....	5
3.1.1 Power Block Diagram.....	5
3.1.2 Working Principle .....	6
3.2 Control Section.....	7
3.2.1 Major Features .....	7
3.2.2 Baseband Block Diagram.....	8
3.2.3 OMAPL-138 Reset .....	9
3.2.4 External Memory .....	9
3.2.5 Interface Distribution .....	10
3.2.5.1 PLL Interface.....	10
3.2.5.2 IF Processor Interface.....	10
3.2.5.3 DAC Interface.....	10
3.2.5.4 RTC Interface.....	10
3.2.5.5 MAC Interface .....	11
3.2.5.6 USB Interface.....	11
3.2.5.7 Control Head Interface .....	11
3.2.5.8 GPIO Interface .....	11
3.2.5.9 JTAG Interface .....	11
3.2.5.10 Rear Board Interface.....	11
3.2.6 Clock.....	12
3.3 Audio Section .....	13
3.3.1 Audio Scheme .....	13
3.3.2 Audio Codec.....	14
3.3.3 Audio PA.....	16

3.4 Control Head .....	17
3.4.1 Block Diagram .....	17
3.4.2 Working Principle .....	17
3.4.3 MCU Reset.....	17
3.4.4 Key and Display Management .....	17
3.5 Rear Board .....	18
3.5.1 Block Diagram .....	18
3.5.2 Working Principle .....	18
3.6 Troubleshooting Flow Chart.....	19
4. Tuning Description .....	20
5. Interface Description .....	21
5.1 Internal Interface .....	21
5.2 External Interface .....	27
6. UHF1 (400–470 MHz) Information .....	29
6.1 Transmitter Circuit .....	29
6.1.1 RF Power Amplifier Circuit .....	29
6.1.2 Low-Pass Filter Circuit .....	30
6.1.3 Auto Power Control Circuit .....	30
6.2 Receiver Circuit .....	31
6.2.1 Receiver Front-End .....	31
6.2.2 Receiver Back-End.....	32
6.3 FGU.....	33
6.3.1 Working Principle of PLL .....	33
6.3.2 Working Principle of VCO.....	34
6.3.3 Two-Point Modulation .....	34
6.4 PCB View .....	35
6.5 Block Diagram .....	40
6.6 Schematic Diagram .....	45
6.7 Parts List .....	68
6.8 Troubleshooting Flow Chart.....	124
6.8.1 Receiver Circuit.....	124

6.8.2 Transmitter Circuit .....	126
6.8.3 FGU.....	128
7. UHF3 (350-400 MHz) Information.....	130
7.1 Transmitter Circuit .....	130
7.1.1 RF Power Amplifier Circuit .....	130
7.1.2 Low-Pass Filter Circuit .....	131
7.1.3 Auto Power Control Circuit .....	131
7.2 Receiver Circuit .....	132
7.2.1 Receiver Front-End .....	132
7.2.2 Receiver Back-End.....	133
7.3 FGU.....	134
7.3.1 Working Principle of PLL .....	134
7.3.2 Working Principle of VCO.....	135
7.3.3 Two-Point Modulation.....	135
7.4 PCB View .....	136
7.5 Block Diagram .....	141
7.6 Schematic Diagram .....	146
7.7 Parts List .....	169
7.8 Troubleshooting Flow Chart.....	226
7.8.1 Receiver Circuit.....	226
7.8.2 Transmitter Circuit .....	228
7.8.3 FGU.....	230
8. VHF (136-174 MHz) Information .....	232
8.1 Transmitter Circuit .....	232
8.1.1 RF Power Amplifier Circuit .....	232
8.1.2 Low-Pass Filter Circuit .....	233
8.1.3 Auto Power Control Circuit .....	233
8.2 Receiver Circuit .....	234
8.2.1 Receiver Front-End .....	234
8.2.2 Receiver Back-End.....	235
8.3 FGU.....	236

---

8.3.1 Working Principle of PLL.....	236
8.3.2 Working Principle of VCO.....	237
8.3.3 Two-Point Modulation.....	237
8.4 PCB View .....	238
8.5 Block Diagram .....	243
8.6 Schematic Diagram .....	248
8.7 Parts List .....	271
8.8 Troubleshooting Flow Chart.....	323
8.8.1 Receiver Circuit.....	323
8.8.2 Transmitter Circuit.....	325
8.8.3 FGU.....	327
9. Disassembly and Assembly .....	329
9.1 Disassembly.....	329
9.2 Assembly.....	332
10. Exploded View .....	333
11. Packing Guide.....	336
12. Specifications.....	337
13. Appendix.....	341

## List of Figures

Figure 3-1 Power Block Diagram.....	5
Figure 3-2 Baseband Block Diagram.....	8
Figure 3-3 Diagram of OMAP-L138.....	9
Figure 3-4 SPI Timing of SKY72310.....	10
Figure 3-5 Diagram of Clock Distribution.....	12
Figure 3-6 Diagram of Audio Section.....	13
Figure 3-7 Diagram of TLV320AIC29 .....	14
Figure 3-8 SPI Timing between OMAPL-138 and TLV320AIC29 .....	15
Figure 3-9 Diagram of Audio PA Circuit .....	16
Figure 3-10 Diagram of Control Head .....	17
Figure 3-11 Diagram of Rear Board .....	18
Figure 6-1 Diagram of Transmitter Circuit .....	29
Figure 6-2 Diagram of Receiver Circuit .....	31
Figure 6-3 Diagram of IF Processor .....	32
Figure 6-4 Diagram of FGU .....	33
Figure 6-5 PCB View .....	39
Figure 6-6 Block Diagram.....	44
Figure 6-7 Schematic Diagram.....	67
Figure 7-1 Diagram of Transmitter Circuit .....	130
Figure 7-2 Diagram of Receiver Circuit .....	132
Figure 7-3 Diagram of IF Processor .....	133
Figure 7-4 Diagram of FGU .....	134
Figure 7-5 PCB View .....	140
Figure 7-6 Block Diagram.....	145
Figure 7-7 Schematic Diagram.....	168
Figure 8-1 Diagram of Transmitter Circuit .....	232
Figure 8-2 Diagram of Receiver Circuit .....	234
Figure 8-3 Diagram of IF Processor .....	235



---

Figure 8-4 Diagram of FGU .....	236
Figure 8-5 PCB View .....	242
Figure 8-6 Block Diagram.....	247
Figure 8-7 Schematic Diagram.....	270
Figure 10-1 Exploded View .....	333
Figure 11-1 Packing Guide .....	336




## List of Tables

Table 5-1 TX&RX Board 8-Pin Connector (J2001) .....	21
Table 5-2 TX Board J5001: to Control Head 20-Pin Connector (J101) .....	22
Table 5-3 TX Board J5000: to Rear Board 26-Pin Connector (J1).....	23
Table 5-4 RX Board J5000: to Rear Board 26-Pin Connector (J2) .....	24
Table 5-5 Control Head J3: to Rear Board 12-Pin Connector (J3).....	25
Table 5-6 Control Head J102: to LCD Display Connector .....	26
Table 5-7 DB9 Rear Board Connector of the Repeater .....	27
Table 5- 8 DB15 Rear Board Connector of the Repeater .....	27
Table 5-9 DB26 Rear Board Connector of the Repeater .....	28
Table 6-RDR9000arts List of ER9000 TX Board.....	96
Table 6-RDR9000arts List of ER9000 RX Board .....	123
Table 7-RDR9000arts List of ER9000 TX Board.....	198
Table 7-RDR9000arts List of ER9000 RX Board .....	225
Table 8-RDR9000arts List of ER9000 TX Board.....	297
Table 8-RDR9000arts List of ER9000 RX Board .....	322
Table 10-1 Repeater Parts List.....	335

## Document Information

This section describes notations used in manual and revision history of this document.

### Instructional Notations

Notation	Description
 Tip	Indicates information that can help you make better use of your product.
 Note	Indicates references that can further describe the related topics.
 Caution	Indicates a potentially hazardous situation which, if not avoided, might result in equipment damage or data loss.

### Revision History

Version	Release Date	Description
R1.0	November 21, 2016	Initial release
R2.0	Aug 09, 2017	Modified receiver sensitivity parameters in the Specifications section.

# 1. Introduction

## Intended User

This manual is intended for use by qualified technicians only.

## Warranty and Service Support

RCA offers long term support for its products. This support includes full exchange and/or repair of the product during the warranty period, and service/repair or spare parts support out of warranty.

## Warranty Period and Return Instructions

RCA Communication Systems warrants the RCA manufactured products listed below against defects in material and workmanship under normal use and service for a period of time from the date of purchase as scheduled below:

Digital Repeaters	Two (2) Years
Accessories	One (1) Year

In instances where the product is covered under a “return for replacement” or “return for repair” warranty, a check of the product should be performed prior to shipping the unit back to RCA. This is to ensure that the product has been correctly programmed or has not been subjected to damage outside the terms of the warranty.

Products should be shipped back in the original packaging, or correctly packaged to ensure no damage occurs in transit.

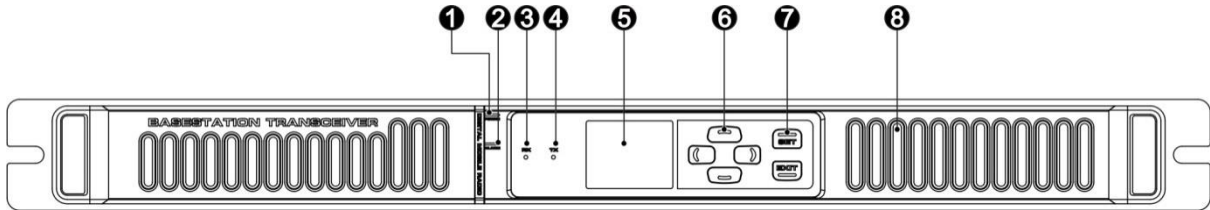
## After Warranty Period

After the warranty period, RCA continues to support its products in two ways.

1. RCA offers a repair service to both end users and dealers at competitive prices.
2. RCA supplies individual parts and modules that can be purchased by dealers who are technically capable of performing fault analysis and repair.

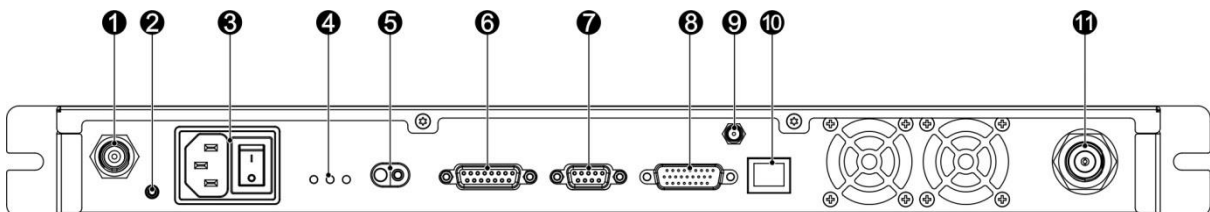
## 2. Product Controls

### Front Panel



No.	Part Name	No.	Part Name
1	Power Indicator	5	LCD Display
2	Alarm Indicator	6	Navigation Keys
3	RX Indicator	7	SET/EXIT Key
4	TX Indicator	8	Speaker

### Rear Panel



No.	Part Name	No.	Part Name
1	RX Connector (BNC)	7	DB9 Connector
2	Ground Screw	8	DB26 Connector
3	AC Power Inlet and Switch	9	SMA Connector
4	LED Indicators <ul style="list-style-type: none"> <li>● Green LED: Indicates power supply is normal when lit.</li> <li>● Blue LED: Indicates overload or short circuit occurs for the power</li> </ul>	10	RJ45 Ethernet Connector

	supply when lit. <ul style="list-style-type: none"> <li>● Red LED: Indicates reverse battery polarity when lit.</li> </ul>		
5	DC Power Inlet/12V Lead-acid Battery	11	TX or Duplexer Connector (Type-N)
6	DB15 Connector		

# 3. Baseband Section

## 3.1 Power Section

### 3.1.1 Power Block Diagram

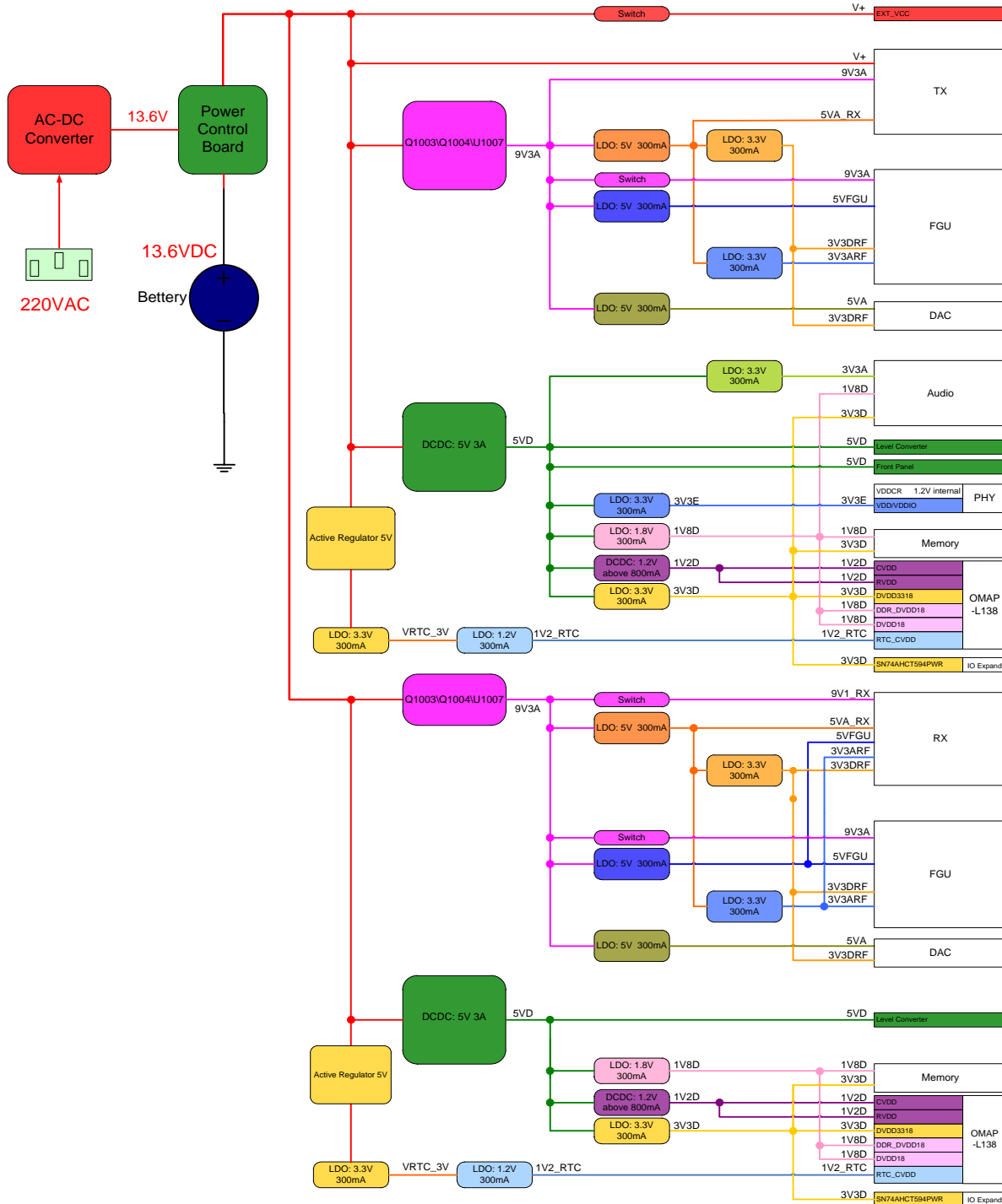


Figure 3-1 Power Block Diagram

### 3.1.2 Working Principle

100-240VAC power, after being converted to 13.6VDC in the AC-DC converter, passes through the power control board and then feeds to the repeater. When AC power is interrupted, an external lead-acid battery takes over supplying power to the radio. When AC power recovers normal, the power control board feeds AC power to the repeater and charges the backup battery at the same time. One line of power through the linear regulator circuit outputs 9.3V, which is then tuned by LDO regulators, generates 3.3V and 5V to analog circuits in the RF section. One line of power adjusted by the DCDC provides 5V to the DCDC and various LDOs. The 1.2V DCDC outputs 1.2V to some modules in the digital circuit and LDO regulators supply 3.3 V to various modules in the digital circuit. Another line of 5V power feeds to the front panel via the external interface.



## 3.2 Control Section

The control platform is composed of two OMAP-L138 processors for the repeater unit and the MCU for the control head. The OMAP-L138 processor has a dual-core architecture which incorporates an ARM926EJ-S core and a TMS320C674x DSP core. ARM926EJ-S is the main controller, while TMS320C674xDSP is used for modulation/demodulation and voice encoding/decoding. OMAP-L138 has powerful processing capacity at the maximum of 375 MHz operating frequency. Multiple interfaces are available on the processor for connecting to various peripherals. Two OMAP-L138 processors allows parallel processing of TX/RX control and data processing, provides powerful data processing and relay capacity, which ensures high-speed service replay.

The MCU for the front panel is an ARM Cortex-M3 core and it works with a SDRAM memory and a flash memory to control key operation, external data interface, and LCD display. DC-DC and LDO regulators are adopted to generate appropriate power supply to the hardware platform. The Class AB BTL amplifier is used to amplify the output audio signal.

### 3.2.1 Major Features

- Sleep and system clocks
- NOR flash and mobile DDRAM interface
- LCM interface
- PLL interface
- IF processor interface
- DAC interface
- RTC interface
- GPS interface
- Bluetooth interface
- Keypad interface
- Tuning interface
- GPIO interface
- MAC interface
- Audio input and output interface
- Option board interface
- Front panel interface



### OMAP-L138 Dual-Core Processor

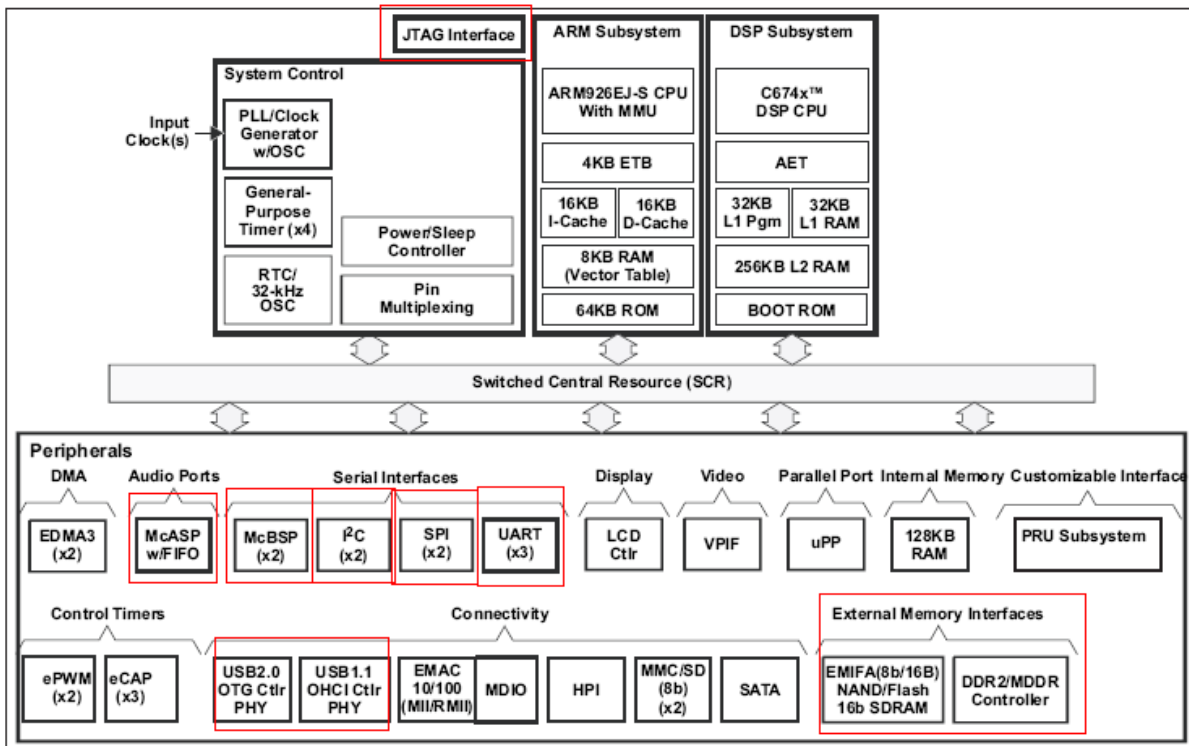


Figure 3-3 Diagram of OMAP-L138

### 3.2.3 OMAP-L138 Reset

OMAP-L138 is reset by the dedicated extended chip (U2003) and is active low.

### 3.2.4 External Memory

OMAP-L138 (U2000) provides two types of external memory interfaces: EMIFA and DDR2/MDDR Controller.

➤ **EMIFA**

EMIFA is an 8/16-bit interface and provides four 32 MB chip selects EMA\_CS [5:2]. This interface supports connection to the NOR flash. NOR flash is mainly used to access program and database.

➤ **DDR2/MDDR Controller**

DDR2/MDDR controller is a 16-bit interface and provides one 512 Mbit (max.) chip select, and it can connect up to eight banks. This interface supports MDDR and the latter is mainly used to store intermediate data and move the flash program to run on it, speeding up radio operation.

## 3.2.5 Interface Distribution

### 3.2.5.1 PLL Interface

OMAP-L138 has SPI for connecting PLL SKY72310 (U7000) and this interface is controlled by DSP. SKY72310 works in slave mode and its SPI timing is shown in Figure 3-4.

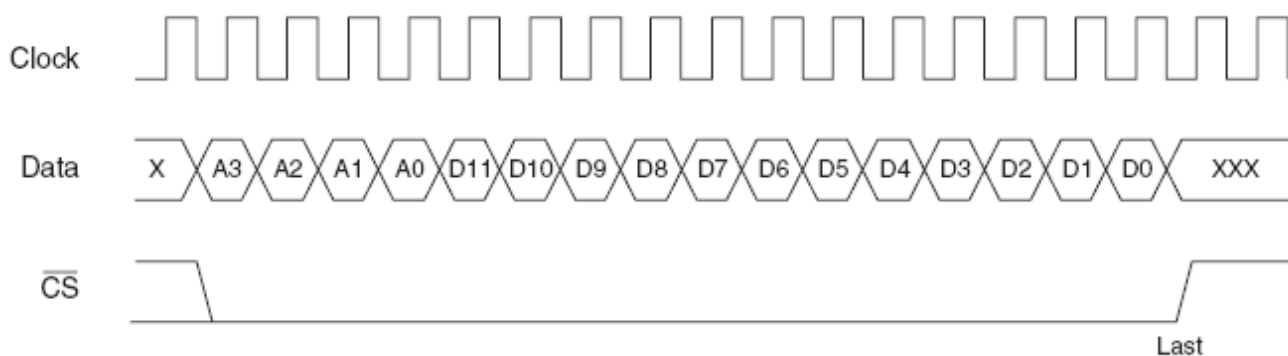


Figure 3-4 SPI Timing of SKY72310

### 3.2.5.2 IF Processor Interface

The IF processor AD9864 (U6002) is composed of two digital interfaces: SPI and SSI. SPI is used to configure AD9864 and read configuration data. SSI is used to output I and Q demodulation data and AGC data. AD9864 works in SPI slave mode and DSP works in SPI master mode. SSI is connected to the RX end of McBSP1 on OMAP-L138, AD9864 works in master mode, and DSP on OMAP-L138 works in slave mode.

### 3.2.5.3 DAC Interface

TLV5614 (U4000) is a 12-bit DAC that consists of four channels and provides a 4-wire serial interface for connecting to the TX end of McBSP1 on OMAP-L138. U4000 is controlled by DSP and works in slave mode.

### 3.2.5.4 RTC Interface

The button cell (BT2000) is adopted to supply power to OMAP-L138 RTC, so that the RTC will operate properly even if the battery is removed.

### 3.2.5.5 MAC Interface

The OMAP processor connects to the TCP/IP PHY chip via the MAC interface. This interface adopts the simplified RMII configuration and is mainly used for data service transfer, tuning&testing, remote upgrade& monitor.

### 3.2.5.6 USB Interface

This interface is reserved.

### 3.2.5.7 Control Head Interface

OMAP-L138 controls and communicates with the MCU for the control head via an UART interface, and the latter controls keypad, LED indicator, and LCD display.

### 3.2.5.8 GPIO Interface

OMAP-L138 controls electronic switches in baseband and RF sections via some GPIOs.

### 3.2.5.9 JTAG Interface

OMAP-L138 provides a 14-pin JTAG interface that will be accessed by JTAG emulator for debugging and downloading programs to NOR flash memory.

### 3.2.5.10 Rear Board Interface

Signals output from the repeater such as power supply, audio signal, external communication signals (USB, UART, and PHY), and programmable IO feed to appropriate external interfaces via the rear board for control and more other functions.

### 3.2.6 Clock

The system needs three clocks for operation: system clock, clock for RTC on OMAP-L138, and clock for the control head MCU. The system clock is provided by 19.2 MHz TCXO or an externally calibrated 19.2 MHz clock source. Clock for RTC on OMAP-L138 is generated by the 32.768 kHz crystal oscillator. The clock used by the MCU for the control head is provided from the 12 MHz crystal oscillator. Diagram of clock distribution is shown in Figure 3-5.

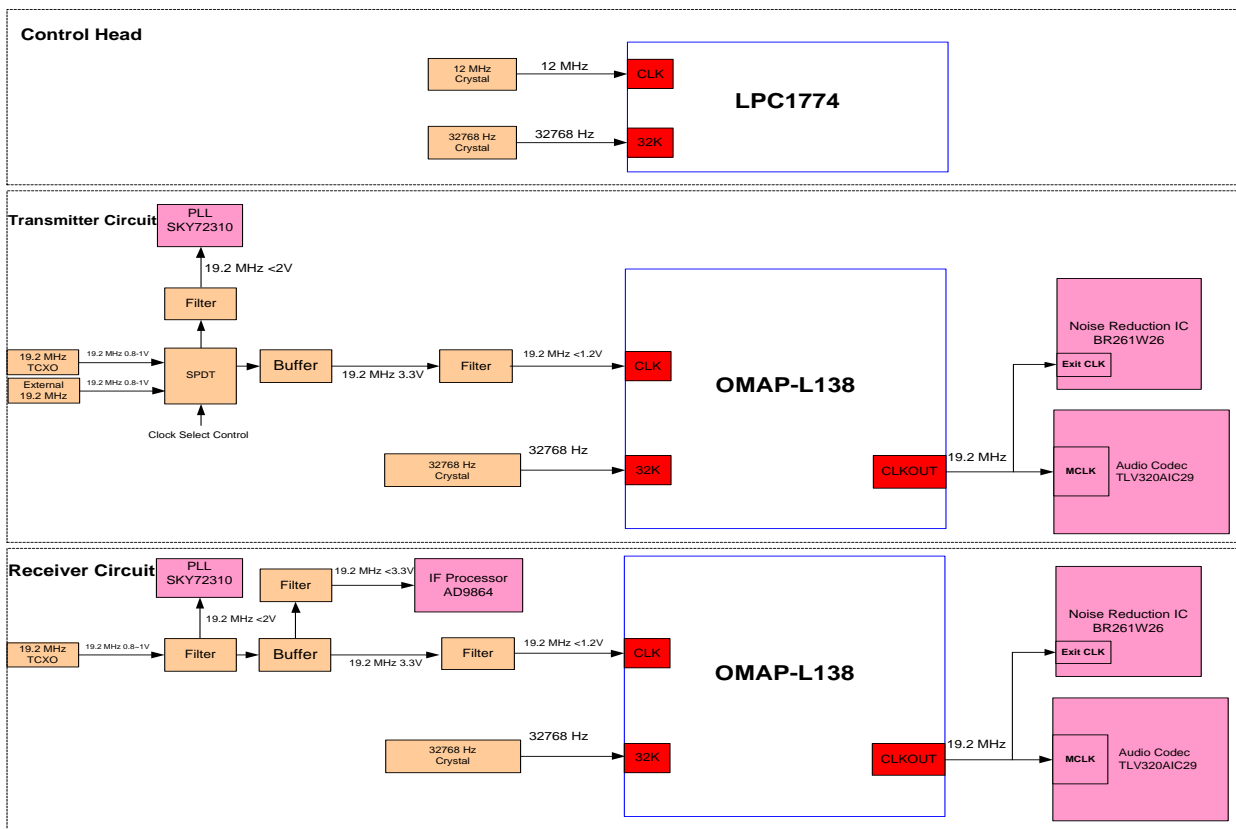


Figure 3- 5 Diagram of Clock Distribution

### 3.3 Audio Section

#### 3.3.1 Audio Scheme

The audio module is mainly for audio input and output. TLV320AIC29 (U3003) is used as the audio codec to convert and process audio signal and digital signal. The Class AB BTL amplifier TDA7297SA (U3009) is used to amplify the output audio signal.

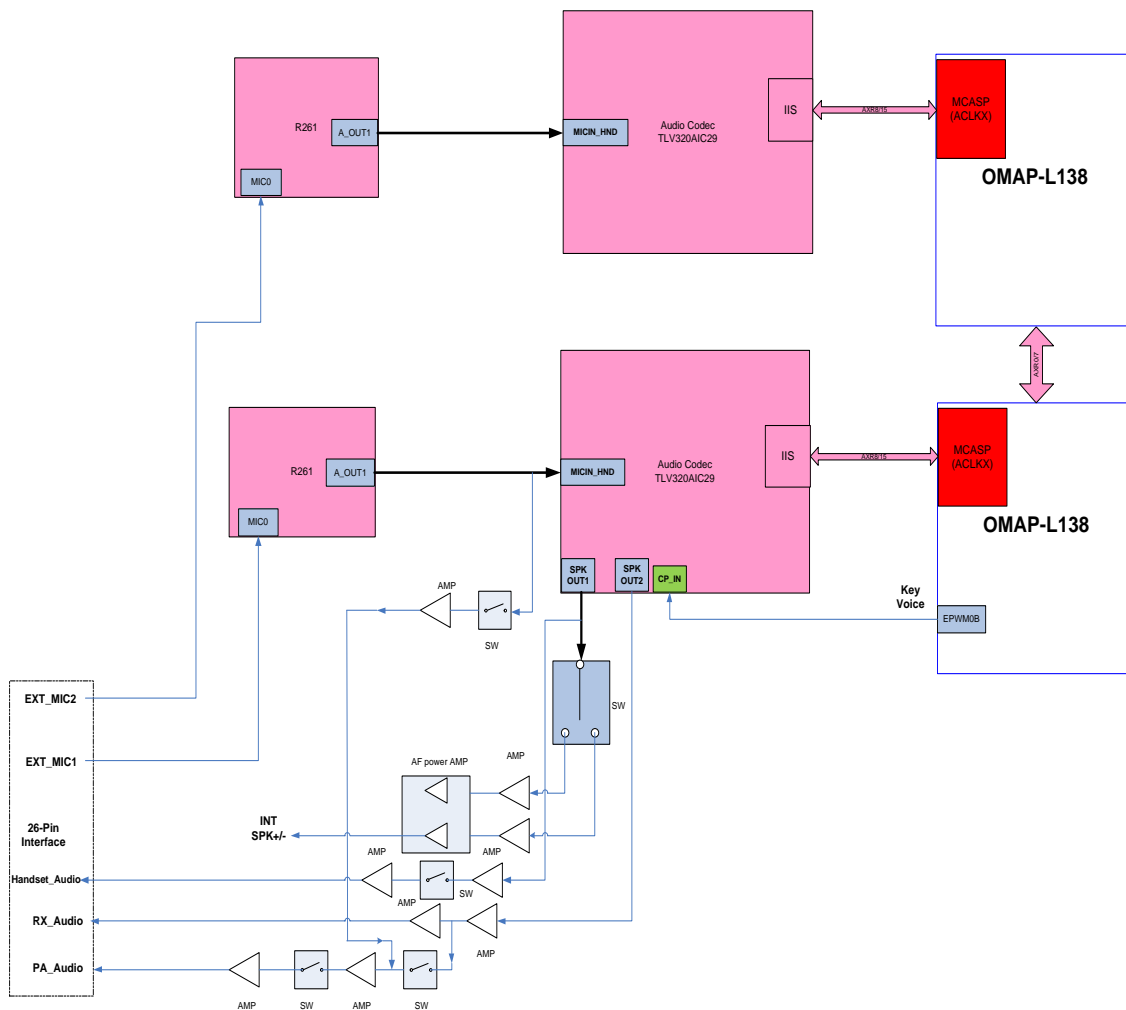


Figure 3-6 Diagram of Audio Section

#### ➤ Two MIC Inputs

The system has two MIC inputs from the external interface. The selected MIC will enter the noise reduction IC for noise elimination to ensure optimal audio fed to the audio codec. The two MIC inputs can be sampled at the same time and can be transmitted with an independent slot respectively.

### 3.3.2 Audio Codec

As the core component in audio paths, TLV320AIC29 consists of an ADC and two DACs, supports two differential or single-ended MIC inputs, one single-ended or differential cellphone input, one differential receiver output, one differential SPK output and two stereo earphone outputs. TLV320AIC29 provides SPI and dedicated audio input and output channels. In addition, four ADC inputs are available for detecting signals.

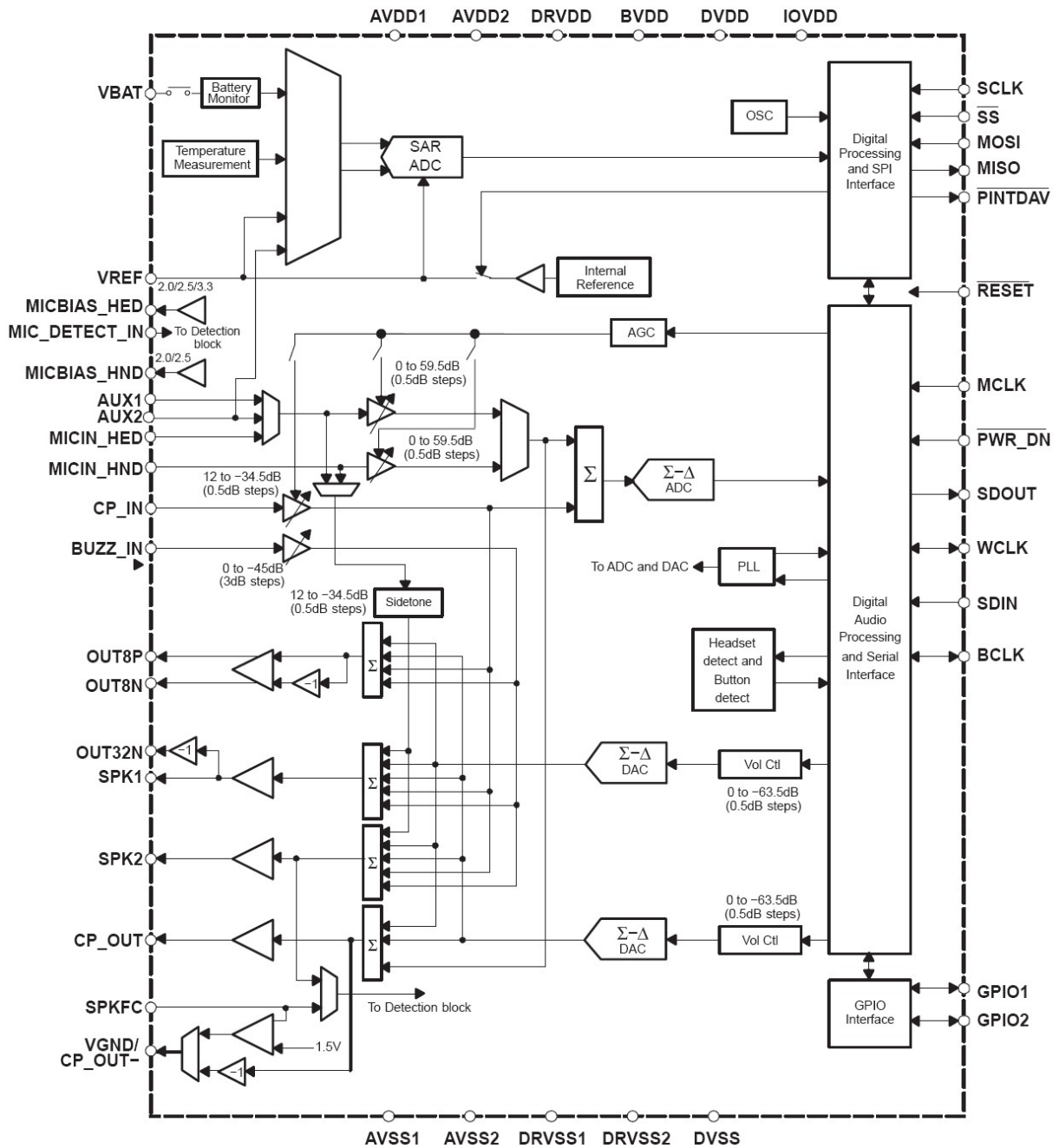


Figure 3-7 Diagram of TLV320AIC29



TLV320AIC29 provides a 4-wire SPI as the control interface. OMAP-L138 works in slave mode and TLV320AIC29 works in master mode. Clock polarity and clock phase are configured as follows: CPOL = 0, CPHA = 1. SPI timing between OMAP-L138 and TLV320AIC29 is shown in Figure 3-8.

**SPI TIMING DIAGRAM**

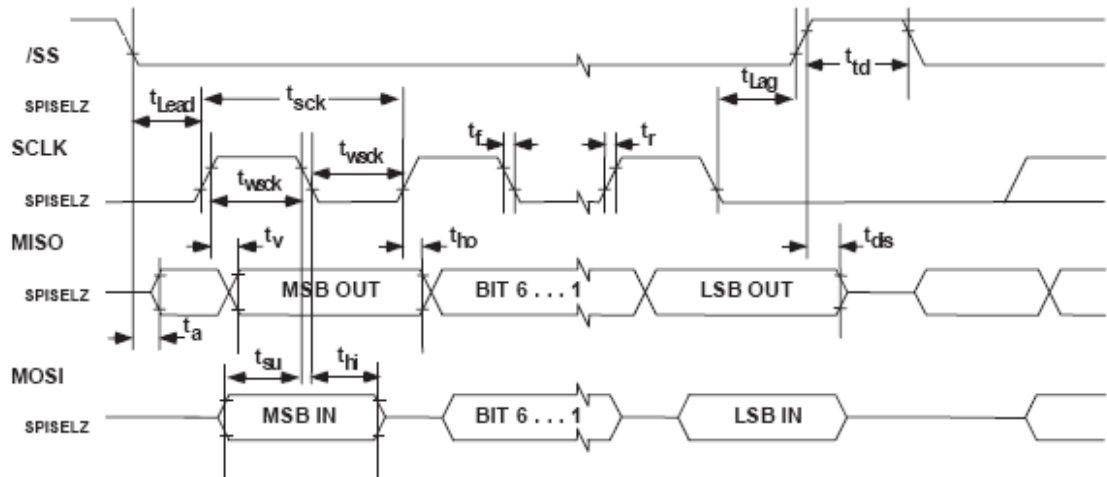


Figure 3-8 SPI Timing between OMAPL-138 and TLV320AIC29

➤ **Audio Output**

Audio codec has two outputs. One output through power amplification by Audio PA, generates 0.9 W power to the control head speaker. Another output through filtering and amplification, feeds to DB26 interface on the rear board for more other functions.

### 3.3.3 Audio PA

TDA7297SA (U3009) is adopted as the audio PA for the repeater unit. This 10 W + 10 W dual bridge amplifier of Class AB generates balanced output.

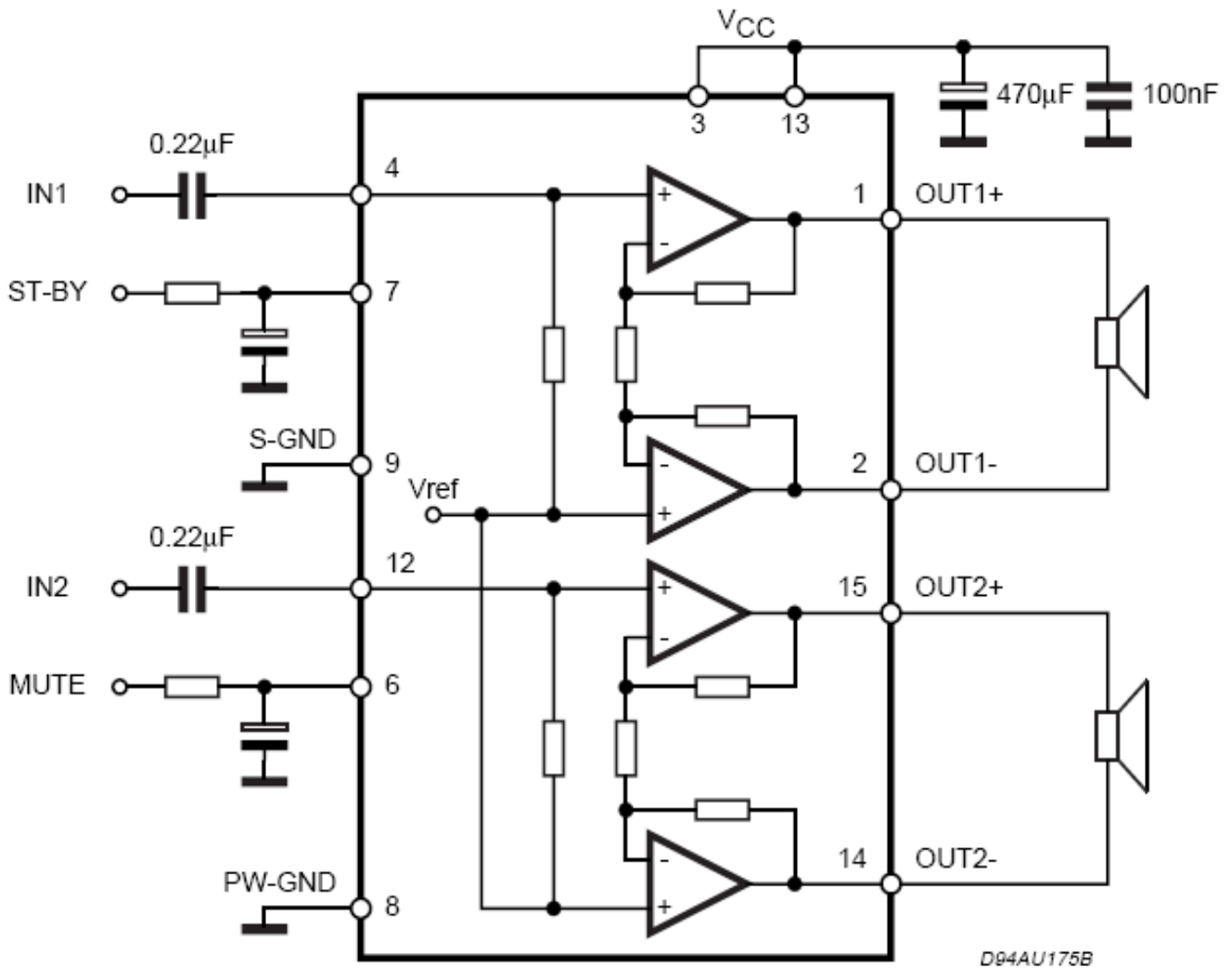


Figure 3-9 Diagram of Audio PA Circuit

### 3.4 Control Head

#### 3.4.1 Block Diagram

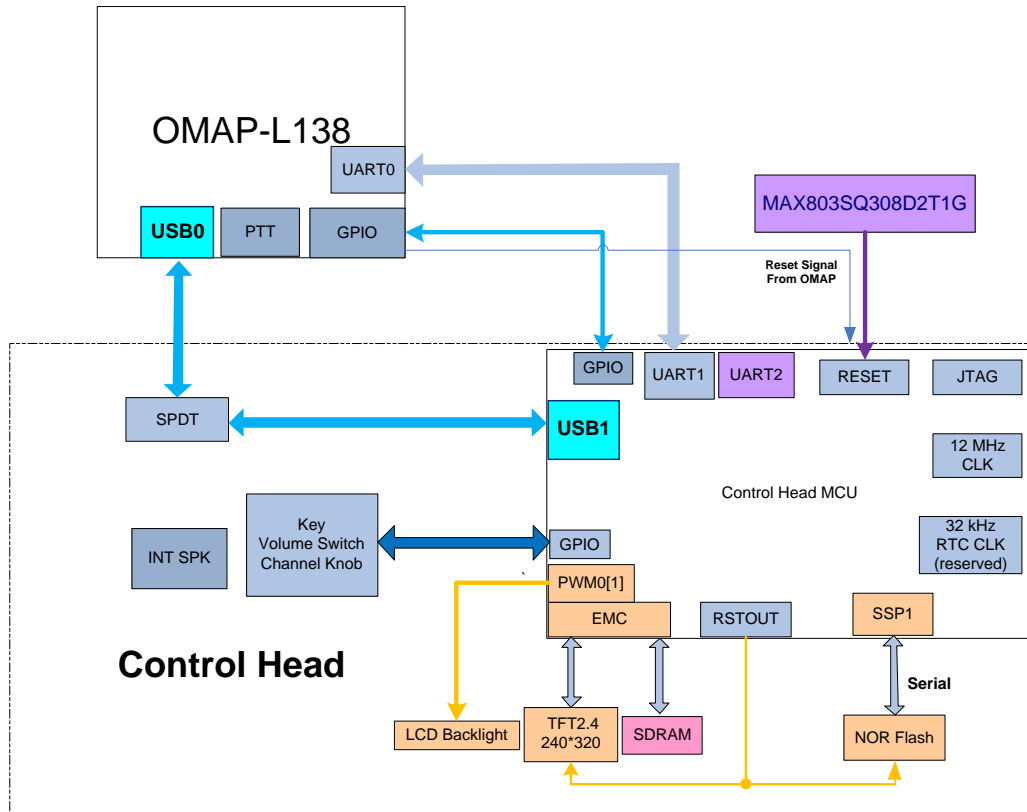


Figure 3-10 Diagram of Control Head

#### 3.4.2 Working Principle

The control head processor is an ARM Cortex-M3 LPC1774. It works with a SDRAM memory and NOR flash memory to control devices and modules on the control head. NOR flash memory is used to store images, data, and programs. SDRAM memory runs system routine and stores real-time data. OMAP-L138 shares information on the main CPU with the control head and controls the latter via the UART interface.

#### 3.4.3 MCU Reset

The MCU will be reset by a dedicated external reset chip and OMAP-L138.

#### 3.4.4 Key and Display Management

MCU uses the GPIO interface to control key operation and connects to the LCM module via the EMC bus.

### 3.5 Rear Board

#### 3.5.1 Block Diagram

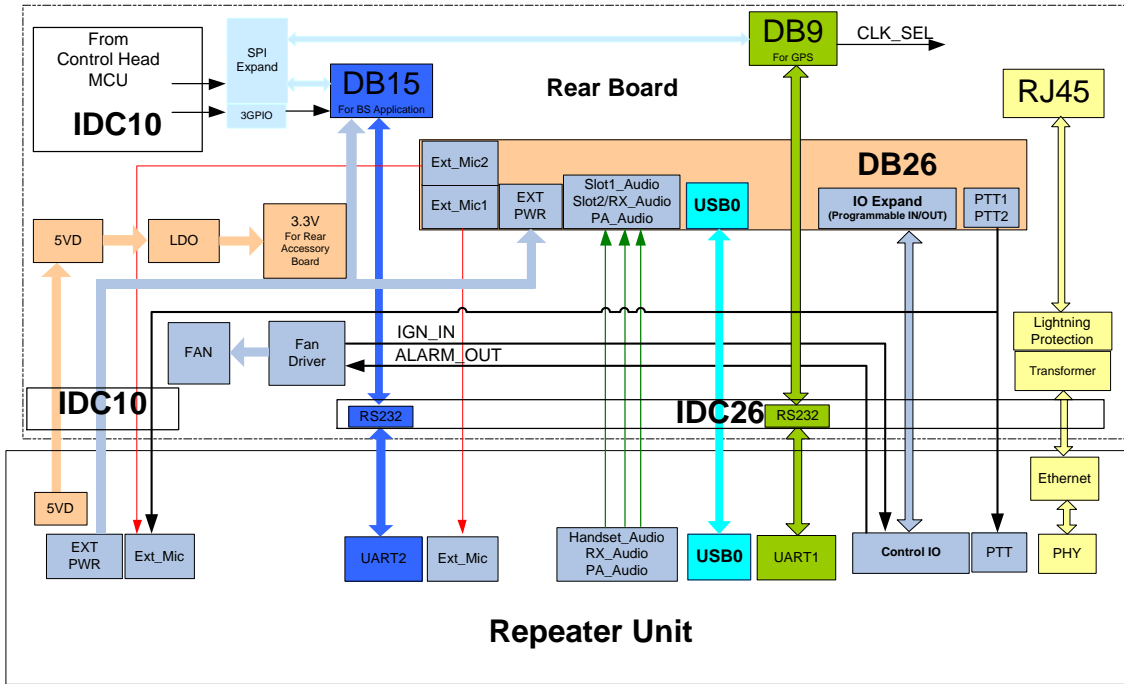


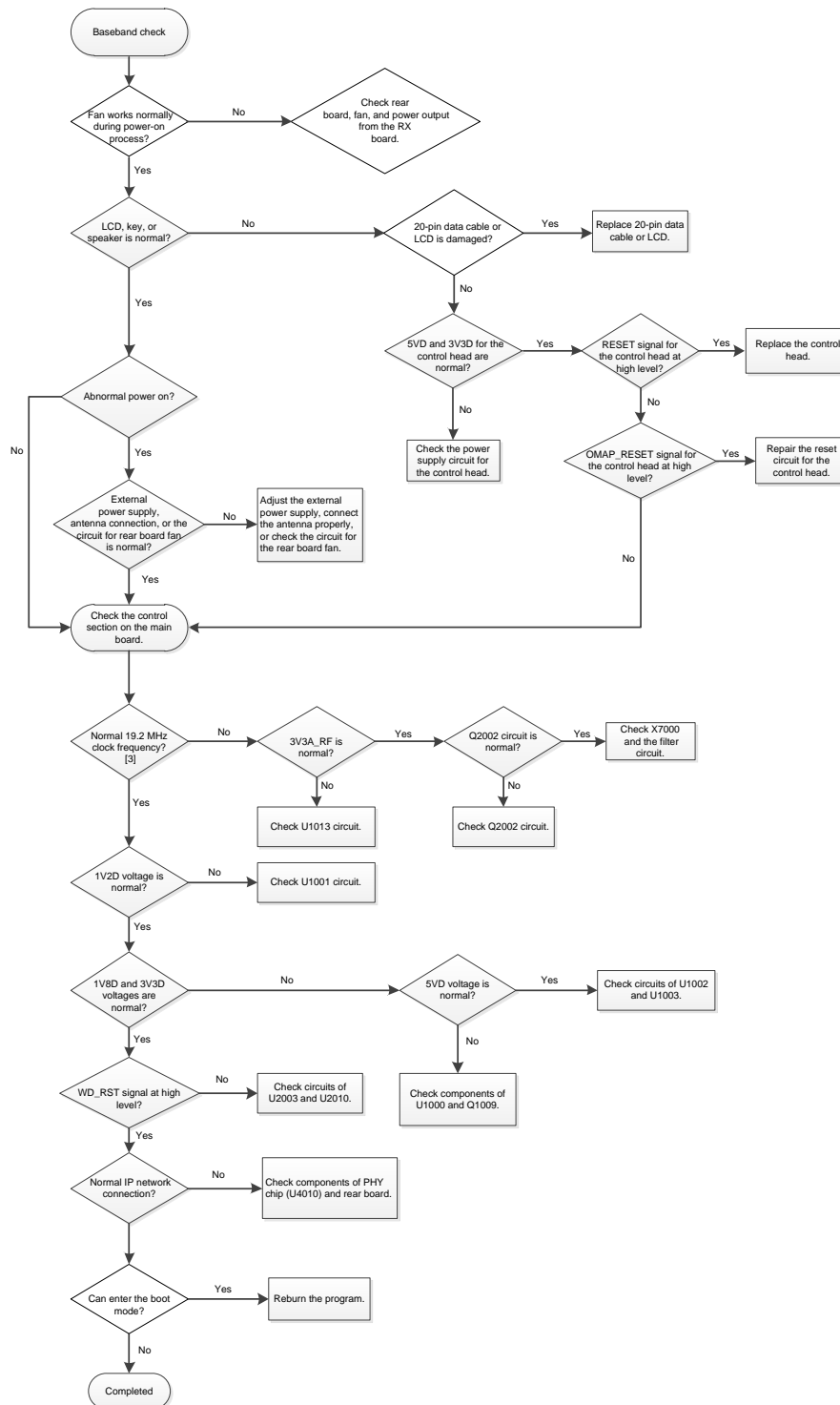
Figure 3-11 Diagram of Rear Board

#### 3.5.2 Working Principle

The rear board, being the extension board of the repeater unit, comprises the external connectors as follows:

- DB26: This is a 26-pin connector for further development and this connector provides USB signal, programmable GPIOs, and audio input/output, etc.
- DB15: The repeater communicates with other equipment via UART pins on the DB15 connector.
- DB9: This connector provides UART, SPI, GPIO, and power signals, and is used to configure and control the GPS board.
- RJ45: PHY signal output from the repeater unit is processed by the transformer and lightning protection module and then feeds to the RJ45 Ethernet connector on the rear board for remote diagnosis&upgrade, and data communication.

### 3.6 Troubleshooting Flow Chart



**Description of Normal Situations:**

- 1) The repeater shows normal power-on screen and the LED indication is normal.
- 2) The speaker can sound alert tones normally and receive audio properly.
- 3) Amplitude of the 19.2 MHz clock in the control section is up to 1.2Vpp.
- 4) The fan works normally.

## 4. Tuning Description

For details about tuning, please refer to the help file of the tuning software supplied by the Company.

## 5. Interface Description

### 5.1 Internal Interface

#### TX&RX Board 8-Pin Connector (J2001)

Pin No.	Name	Function
1	OMAP_SYNC	OMAP sync
2	MCBSP0_OPT_DR	McBSP0 RX data
3	ACC3	McBSP0 RX bit clock
4	ACC4	McBSP0 RX frame sync
5	MCBSP0_OPT_FSX	McBSP0 TX frame sync
6	MCBSP0_OPT_Bclk	McBSP0 TX bit clock
7	MCBSP0_OPT_DX	McBSP0 TX data
8	WD_RST	Reset signal

Table 5-1 TX&RX Board 8-Pin Connector (J2001)

**TX Board J5001: to Control Head 20-Pin Connector (J101)**

Pin No.	Name	Function
1	GND	Ground
2	NC	NC
3	NC	NC
4	NC	NC
5	NC	NC
6	OMAP_RST	Reset signal for control head CPU
7	SYNC	Sync signal
8	F_USB_D-	USB
9	F_USB_D+	
10	NC	NC
11	GND	Ground
12	OMAP_UART0_RXD	UART
13	OMAP_UART0_TXD	
14	NC	NC
15	NC	NC
16	NC	NC
17	INT_SPK-	Control head speaker
18	INT_SPK+	
19	5VD	5V power for control head
20	5VD	

Table 5-2 TX Board J5001: to Control Head 20-Pin Connector (J101)



**TX Board J5000: to Rear Board 26-Pin Connector (J1)**

Pin No.	Name	Function
1	TXN	TX data-
2	UART1_RXD	UART1 RX data
3	UART1_TXD	UART1 TX data
4	LED1	Network connection indication signal 1
5	GND	Ground
6	Handset_Audio	NC
7	EXT_MIC1	External MIC1 input
8	RX_Audio	RX audio output
9	RXP	RX data+
10	TXP	TX data+
11	USB_D-	USB D-
12	ALARM_OUT	Alarm output
13	Emergency_IN	Emergency input
14	PRGM_IO1	Programmable input/output 1
15	PRGM_IO2	Programmable input/output 2
16	EXT_PTT1	External PTT1 input
17	UART2_RXD	UART2 RX data
18	RXN	RX data-
19	USB_D+	USB D+
20	UART2_TXD	UART2 TX data
21	LED2	Network connection indication signal 2
22	PRGM_IO3	Programmable input/output 3
23	PRGM_IO4	Programmable input/output 4
24	PRGM_IO5	Programmable input/output 5
25	PA_Audio	Public address output
26	IGN_IN	Ignition input

Table 5-3 TX Board J5000: to Rear Board 26-Pin Connector (J1)

**RX Board J5000: to Rear Board 26-Pin Connector (J2)**

Pin No.	Name	Function
1	NC	NC
2	NC	NC
3	NC	NC
4	EXT_PWR	Power supply for fan and accessories
5	GND	Ground
6	NC	NC
7	EXT_MIC2	External MIC2 input
8	NC	NC
9	NC	NC
10	NC	NC
11	NC	NC
12	5VD	5V power output
13	NC	NC
14	NC	NC
15	NC	NC
16	EXT_PTT2	External PTT2 input
17	NC	NC
18	NC	NC
19	NC	NC
20	NC	NC
21	NC	NC
22	NC	NC
23	NC	NC
24	NC	NC
25	NC	NC
26	NC	NC

Table 5-4 RX Board J5000: to Rear Board 26-Pin Connector (J2)

**Control Head J3: to Rear Board 12-Pin Connector (J3)**

Pin No.	Name	Function
1	FNT_SPI_CS	SPI enable
2	FNT_SPI_CLK	SPI clock
3	FNT_SPI_DOUT	SPI data output
4	FNT_SPI_DIN	SPI data input
5	FNT_GPIO1	GPIO1
6	FNT_GPIO2	GPIO2
7	FNT_GPIO3	GPIO3
8	FNT_GPIO4	GPIO4
9	FNT_GPIO5	GPIO5
10	GND	Ground
11	INT_SPK+	SPK OUT
12	GND	Ground

Table 5-5 Control Head J3: to Rear Board 12-Pin Connector (J3)

**Control Head J102: to LCD Display Connector**

Pin No.	Name	Function
1, 8, 30	DGND	Ground (digital)
2	3V3D	Power supply
3	RSTOUT	Reset
4	LCD_CS	Chip select
5	LCD_RS	Control
6	LCD_RD	Read enable
7	LCD_WR	Write enable
9	E_D15	LCD data
10	E_D14	
11	E_D13	
12	E_D12	
13	E_D11	
14	E_D10	
15	E_D9	
16	E_D8	
17	E_D7	
18	E_D6	
19	E_D5	
20	E_D4	
21	E_D3	
22	E_D2	
23	E_D1	
24	E_D0	
25	5V	Power supply for LCD backlight
26	LEDA1	LCD backlight control
27	LEDA2	
28	LEDA3	
29	LEDA4	

Table 5-6 Control Head J102: to LCD Display Connector

## 5.2 External Interface

### DB9 Rear Board Connector of the Repeater

Pin No.	Name	Function
1	5V	5V power output
2	UART1_TXD_232	UART1 RS232 TXD signal
3	UART1_RXD_232	UART1 RS232 RXD signal
4	1PPS	1 pulse per second signal input
5	GND	Ground
6	FNT_SPI_CS4	CS4 of SPI
7	FNT_SPI_CLK	Clock signal of SPI
8	FNT_SPI_DOUT	Data output of SPI
9	Emergency_IN	Emergency input

Table 5-7 DB9 Rear Board Connector of the Repeater

### DB15 Rear Board Connector of the Repeater

Pin No.	No.	Function
1	EXT_PWR_RX	Power output
2	UART2_TXD_232	UART1 RS232 TXD signal
3	UART2_RXD_232	UART1 RS232 RXD signal
4	FNT_GPIO1	GPIO1
5	GND	Ground
6	FNT_SPI_CS2	CS2 of SPI
7	FNT_SPI_CLK	Clock signal of SPI
8	FNT_SPI_DIN	Data input of SPI
9	EXT_PWR_RX	Power output
10	GND	Ground
11	FNT_GPIO3	GPIO3
12	FNT_GPIO2	GPIO2
13	FNT_SPI_CS3	CS3 of SPI
14	FNT_SPI_CS1	CS1 of SPI
15	FNT_SPI_DOUT	Output signal of SPI

Table 5- 8 DB15 Rear Board Connector of the Repeater

**DB26 Rear Board Connector of the Repeater**

Pin No.	Name	Function
1	USB_D-	USB D-
2	NC	NC
3	NC	NC
4	EXT_PWR	Power output
5	GND	Ground
6	Handset_Audio	NC
7	EXT_MIC1	External MIC1 input
8	RX_Audio	RX audio output
9	NC	NC
10	USB_D+	USB D+
11	NC	NC
12	EXT_PTT2	External PTT2 input
13	EXT_MIC2	External MIC2 input
14	PRGM_IO1	Programmable input/output 1
15	PRGM_IO2	Programmable input/output 2
16	EXT_PTT1	External PTT1 input
17	NC	NC
18	INT_SPK+	SPK OUT
19	NC	NC
20	NC	NC
21	TDMA_SYNC	Trigger signal when testing ACP and ACTP
22	PRGM_IO3	Programmable input/output 3
23	PRGM_IO4	Programmable input/output 4
24	PRGM_IO5	Programmable input/output 5
25	PA_Audio	Public address audio output
26	NC	NC

Table 5-9 DB26 Rear Board Connector of the Repeater

## 6. UHF1 (400–470 MHz) Information

### 6.1 Transmitter Circuit

The transmitter circuit mainly consists of:

- RF power amplifier circuit
- Low-pass filter circuit (for suppressing harmonics)
- Auto power control circuit (APC) (including temperature detection circuit)

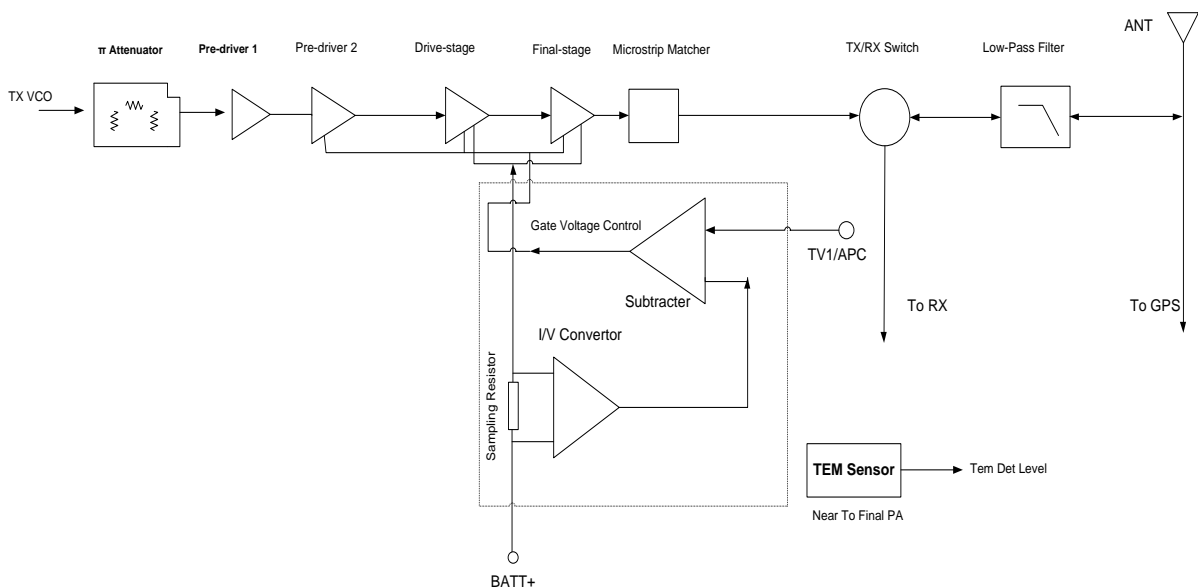


Figure 6-1 Diagram of Transmitter Circuit

#### 6.1.1 RF Power Amplifier Circuit

The carrier signal generated by the TX VCO is modulated and amplified, and then feeds to the transmitter circuit via the following steps:

- Step 1** The signal passes through a  $\pi$ -shaped attenuator first, allowing interstage isolation between the RF power amplifier circuit and the TX VCO.
- Step 2** The signal goes to a pre-driver amplifier (U8004) for pre-amplification, providing further interstage isolation.
- Step 3** The signal goes to a pre-driver amplifier (Q8006) for adequate power amplification, so as to obtain further amplification in the driver amplifier (Q8005).
- Step 4** After being processed by multiple amplifiers, the signal is processed by a microstrip matcher at the output of the final PA (Q8004) to complete output impedance matching, as so to reduce output power loss due to impedance mismatch.
- Step 5** The signal passes through the TX/RX switch (D8004) and goes to the low-pass filter.

### 6.1.2 Low-Pass Filter Circuit

The low-pass filter is a high-order Chebyshev filter composed of lumped-parameter inductors and capacitors. Via this filter, the spurious signal within the stop band can be attenuated as much as possible while the in-band ripple is within the required range.

### 6.1.3 Auto Power Control Circuit

In the auto power control and temperature detection circuit, the drain current from the driver amplifier and final-stage amplifier is converted to voltage via the sampling resistor and subtraction circuit (composed of the first operational amplifier). This voltage is compared with the APC control voltage (output by DAC) at the second operational amplifier. Then the error voltage, which is output by the second operational amplifier, controls TX power by controlling the bias voltage at the gates of the amplifiers (including the driver amplifier and the final-stage amplifier). The temperature sensor detects the surface temperature of the final-stage amplifier, and then converts it to DC voltage. Then the DC voltage is compared with the voltage corresponding to the protection temperature (generally 80% of the extreme temperature) of the amplifier. If the surface temperature is too high, the bias voltage of the amplifier will be reduced until the surface temperature falls below the protection temperature.



## 6.2 Receiver Circuit

The receiver circuit is mainly composed of RF band-pass filter, low-noise amplifier, mixer, IF filter, IF amplifier, and IF processor.

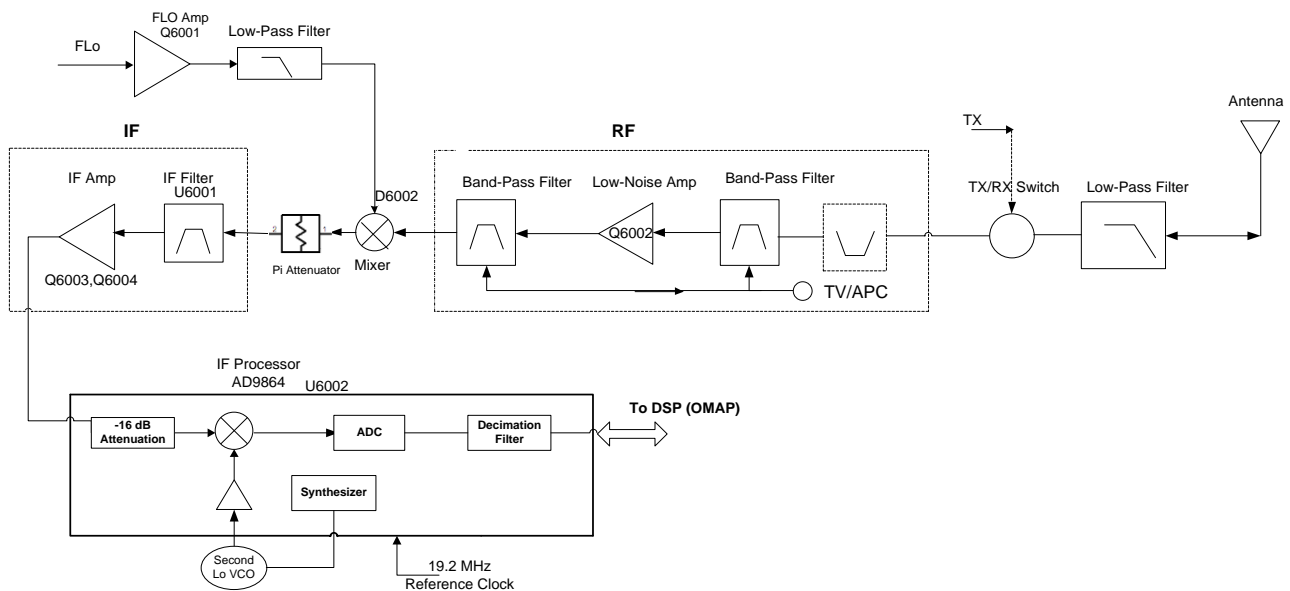


Figure 6-2 Diagram of Receiver Circuit

### 6.2.1 Receiver Front-End

The HF signal from the low-pass filter passes through the first-level band-pass filter, to remove out-of-band interference signal and to send wanted band-pass signal to the low-noise amplifier (Q6002). The amplified signal goes to the second-level band-pass filter, to remove out-of-band interference signal generated during amplification, and to send wanted HF signal to the mixer (D6002). In the mixer, the wanted signal and the first LO signal are mixed to generate the first IF signal (73.35 MHz). Then the signal passes through a  $\pi$ -shaped attenuator and the LC, to suppress carrier other than the first IF signal, and to increase the isolation between the mixer and the IF filter. After that, the first IF signal is processed by the crystal filter (U6001), and is sent to the two-stage IF amplifier circuit (composed of Q6003 and Q6004) for amplification. Then the amplified signal goes to the IF processor AD9864 (U6002) for processing.

### 6.2.2 Receiver Back-End

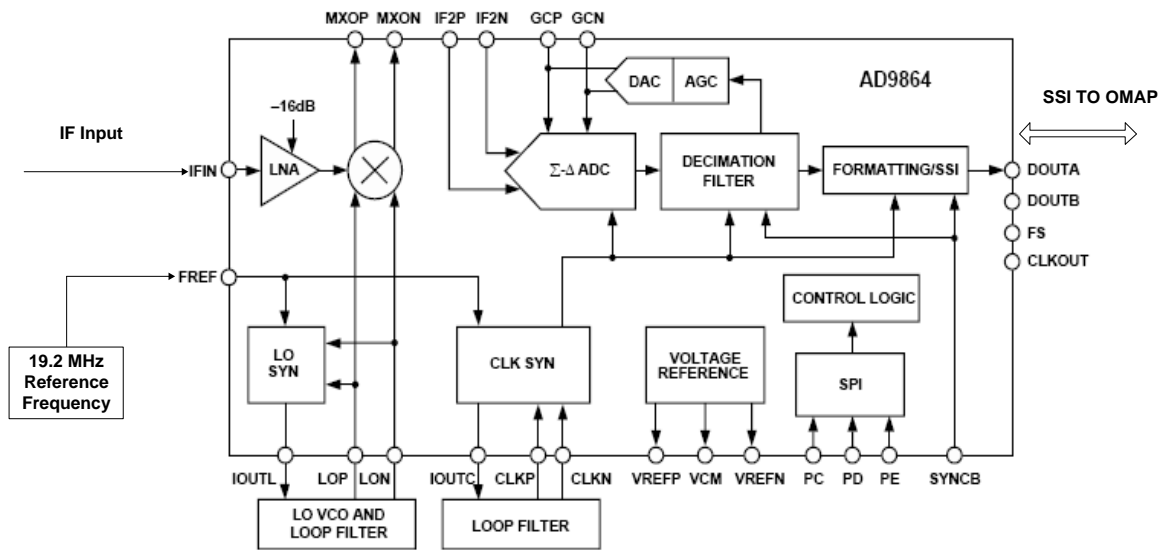


Figure 6-3 Diagram of IF Processor

The first IF signal (73.35 MHz) output by the IF amplifier goes into AD9864 (U6002) via pin 47, where the signal is converted to the second IF signal (2.25 MHz). Then the signal is converted to digital signal via ADC sampling, and output via the SSI interface. Finally, the digital signal is sent to DSP (OMAP-L138) for demodulation. AD9864 employs reference frequency of 19.2 MHz and shares the crystal with the OMAP. The second LO VCO is composed of an oscillator, a varactor diode and some other components, to provide the 71.1/75.6 MHz LO signal. The 18 MHz clock frequency is generated by the LC resonance loop.

### 6.3 FGU

The Frequency Generation Unit (FGU) comprises VCO and PLL. It is the core module of the whole TX-RX system. This circuit provides accurate carrier frequency during transmission, and stable LO signal during reception. It has a direct influence on the performance of the system.

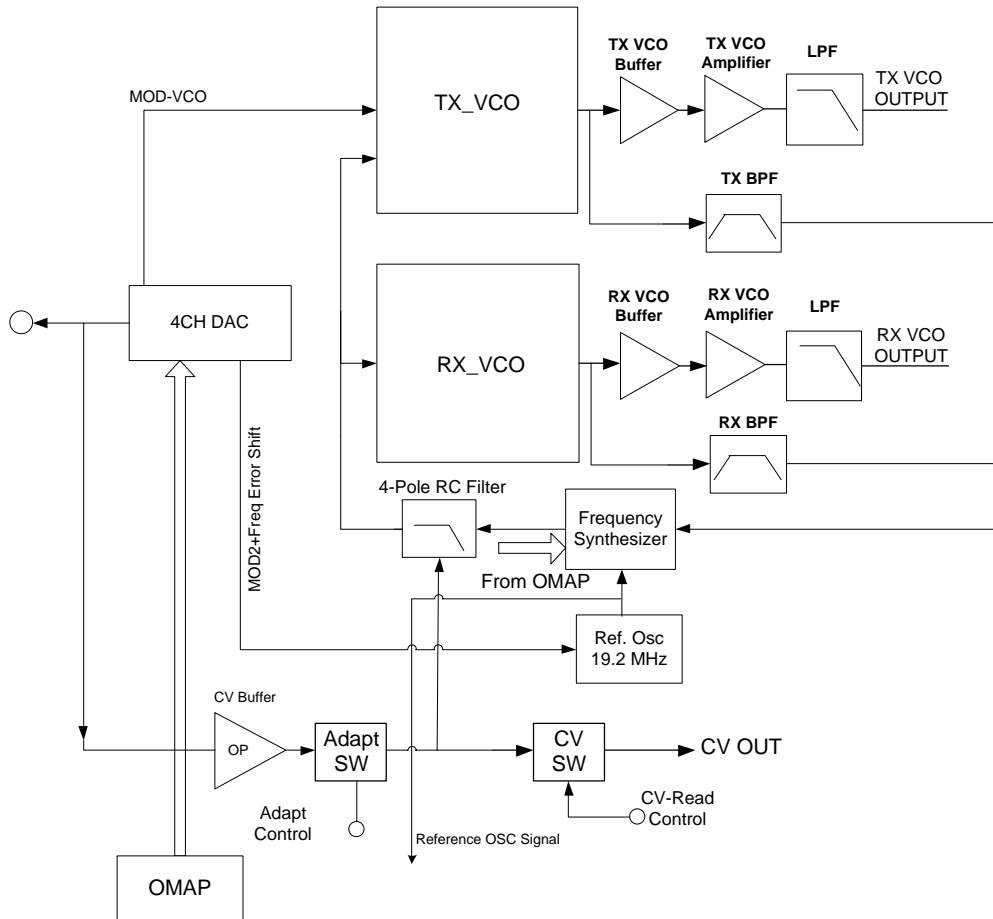


Figure 6-4 Diagram of FGU

#### 6.3.1 Working Principle of PLL

The 19.2 MHz frequency generated by the reference crystal oscillator goes to PLL for division, generating the reference frequency (i.e. step frequency  $f_1$ ). Meanwhile, the frequency generated by VCO generates another frequency ( $f_2$ ) through the frequency divider in PLL. Then frequencies  $f_1$  and  $f_2$  are compared in the phase detector (PD), to generate continuous pulse current. The current goes to the loop filter for RC integration, and is then converted to CV voltage. Then the CV voltage is sent to the varactor diode of VCO. It adjusts the output frequency of VCO directly until the CV voltage becomes constant. Then the PLL is locked, and the stable frequency output by VCO goes to the TX-RX channel after passing through two buffer amplifiers.

### 6.3.2 Working Principle of VCO

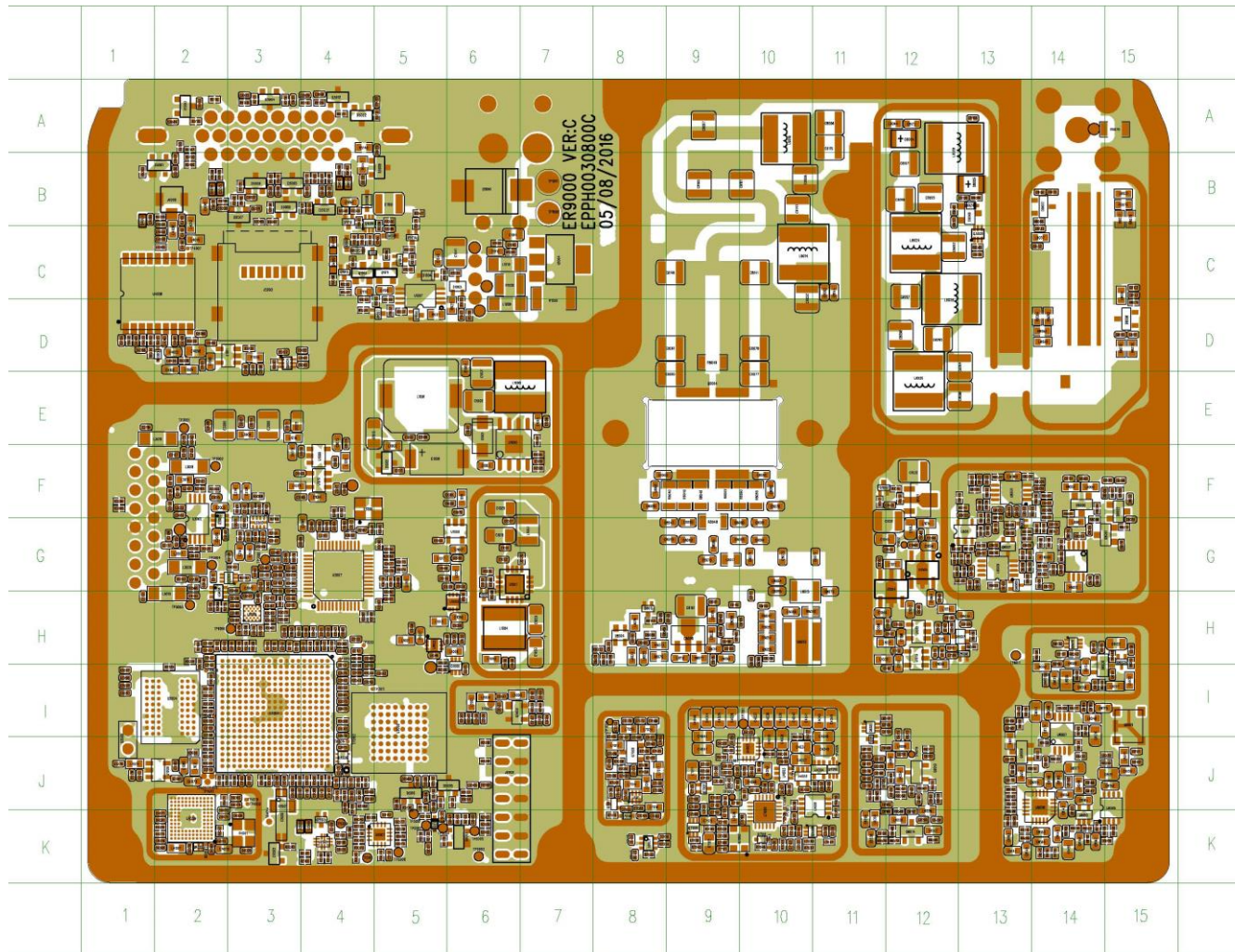
VCO employs Colpitts oscillator circuit (the RX oscillator circuit comprises D6014, D6015, D6016, D6017 and L6061; the TX oscillator circuit is composed of D7001, D7002, D7004, D7005, and L7007). It obtains different output frequencies by changing the varactor diode's control voltage (i.e. CV voltage). There are two types of VCO: TX VCO and RX VCO. Both types control EMD22 to switch operating status via OMAP. RX VCO consists of the oscillator loop and Q6012, to provide LO signal. TX VCO is composed of the oscillator loop and Q7003, to provide carrier for TX signal.

### 6.3.3 Two-Point Modulation

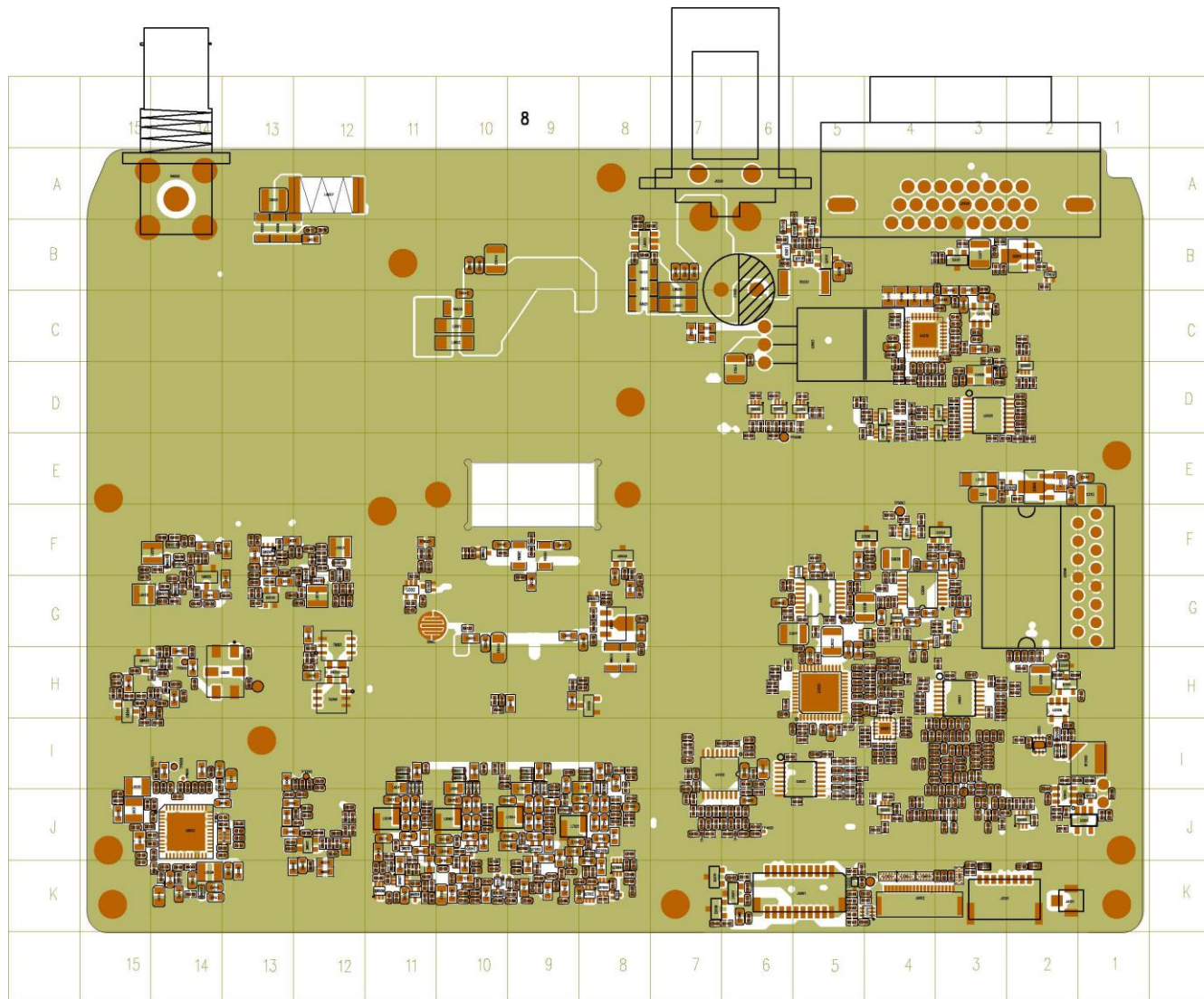
In TX mode, the two-point modulation technology is employed, to obtain higher modulation accuracy and lower 4FSK bit error rate. MOD-VCO and MOD-XO send the modulation signal to the modulation end of VCO and the reference oscillator of PLL respectively to modulate TX VCO and the reference crystal oscillator.

## 6.4 PCB View

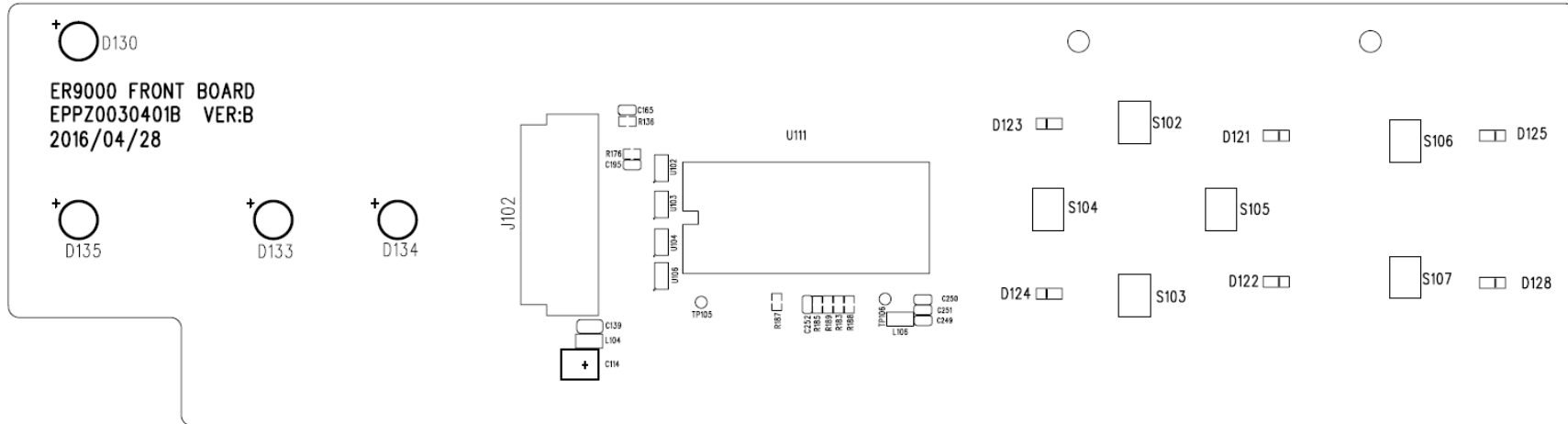
**PCB View (Main Board)  
Top Layer**



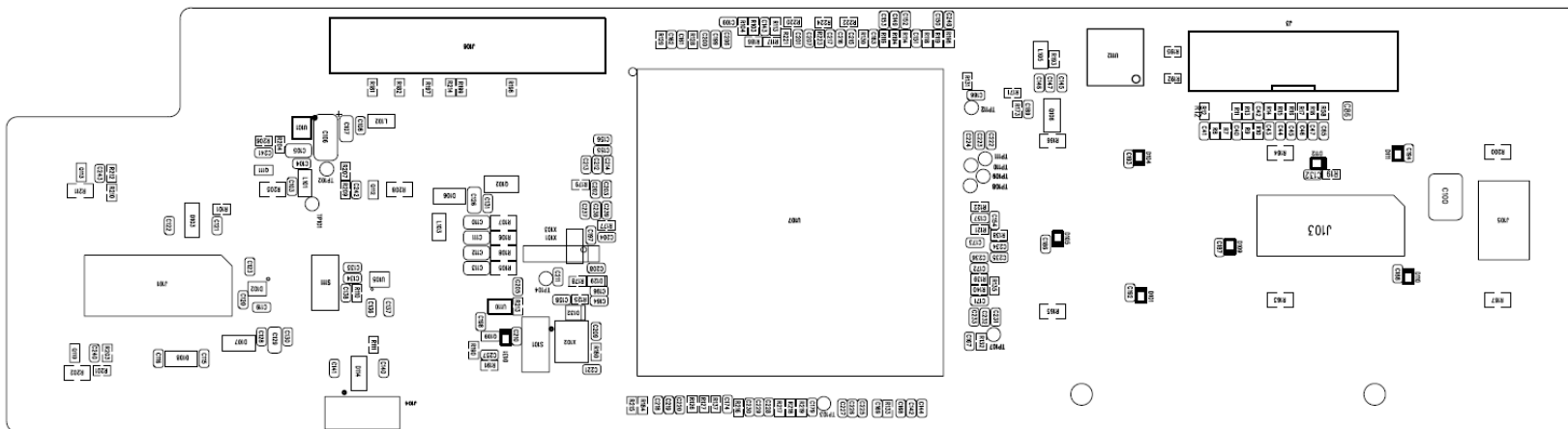
### PCB View (Main Board) Bottom Layer



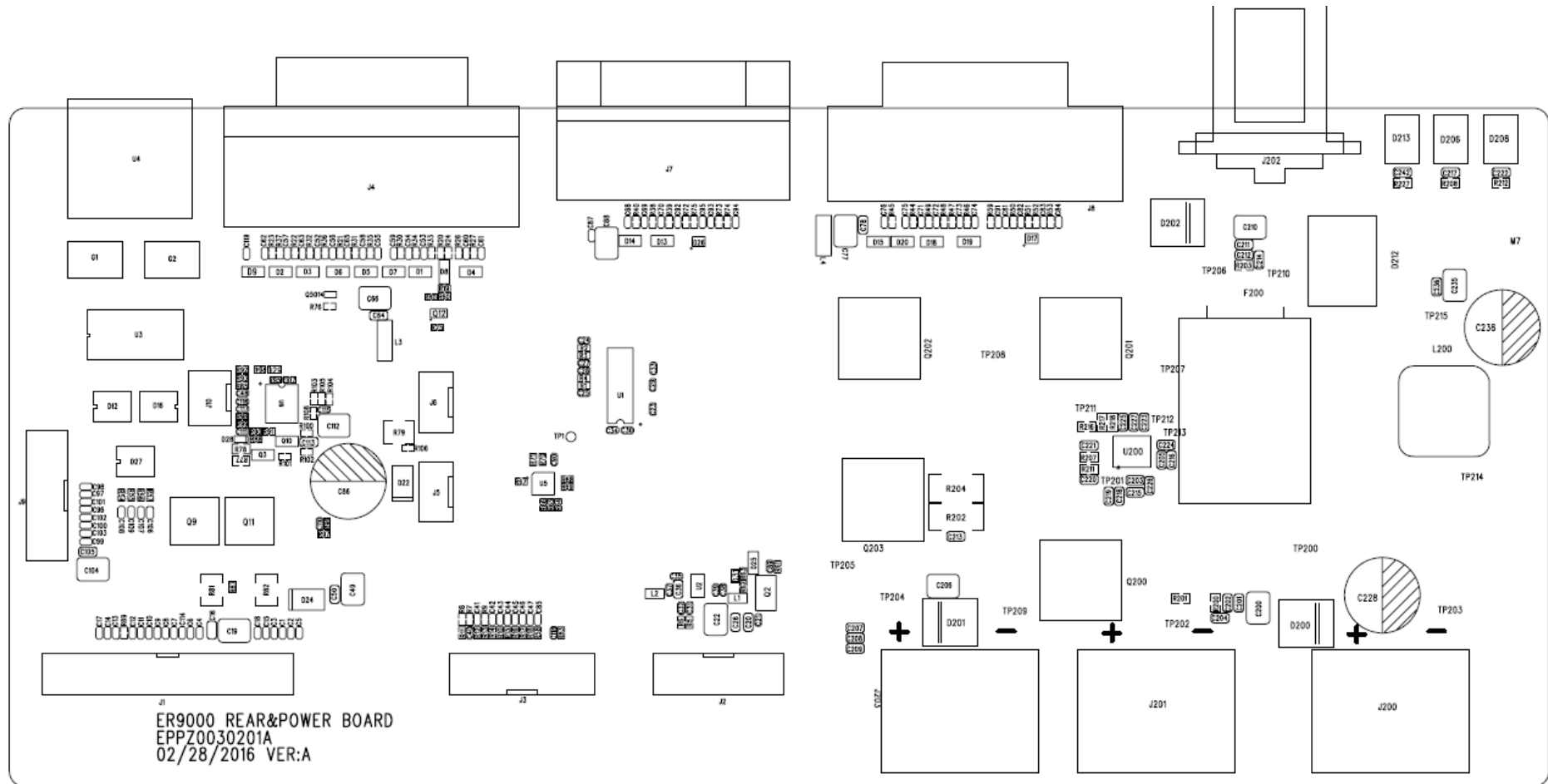
### PCB View (Control Head) Top Layer



### PCB View (Control Head) Bottom Layer



### PCB View (Rear Board) Top Layer





**PCB View (Rear Board)  
Bottom Layer**

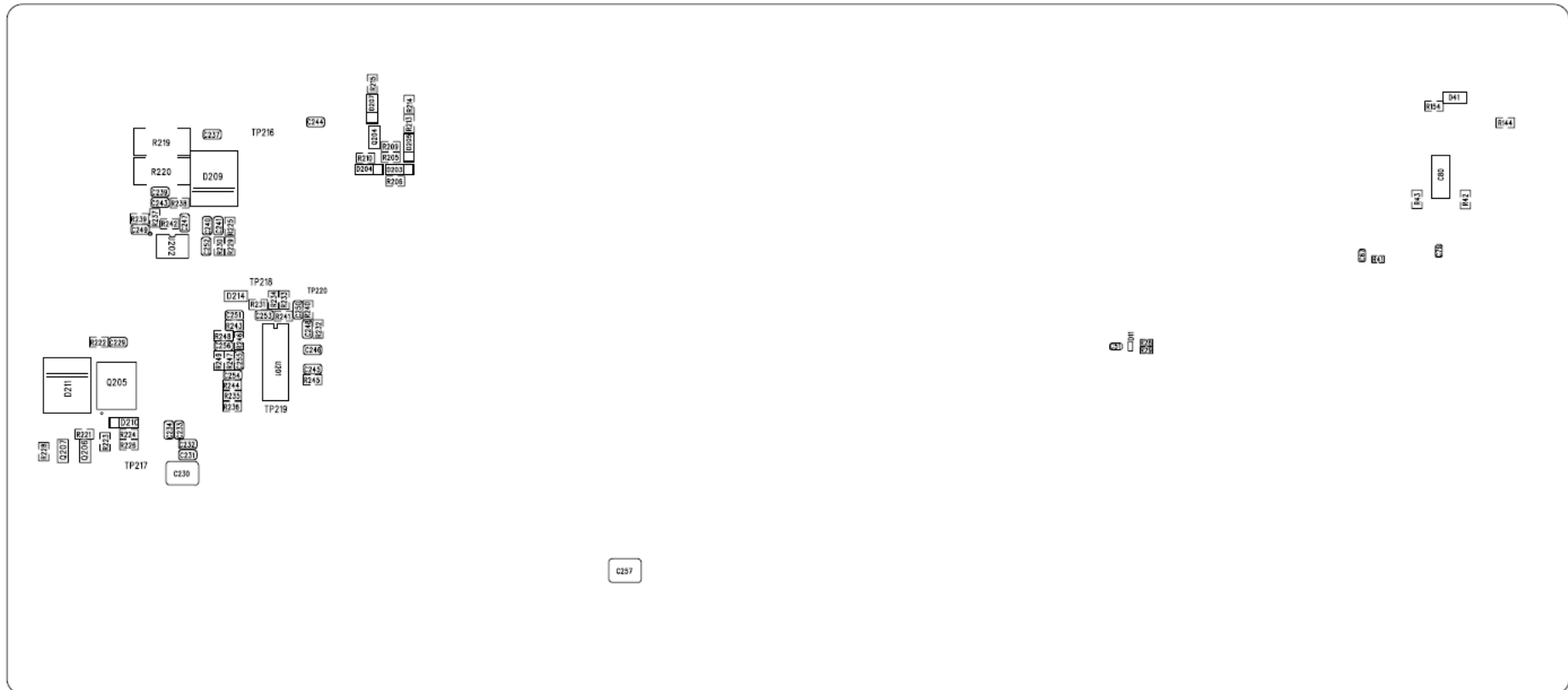
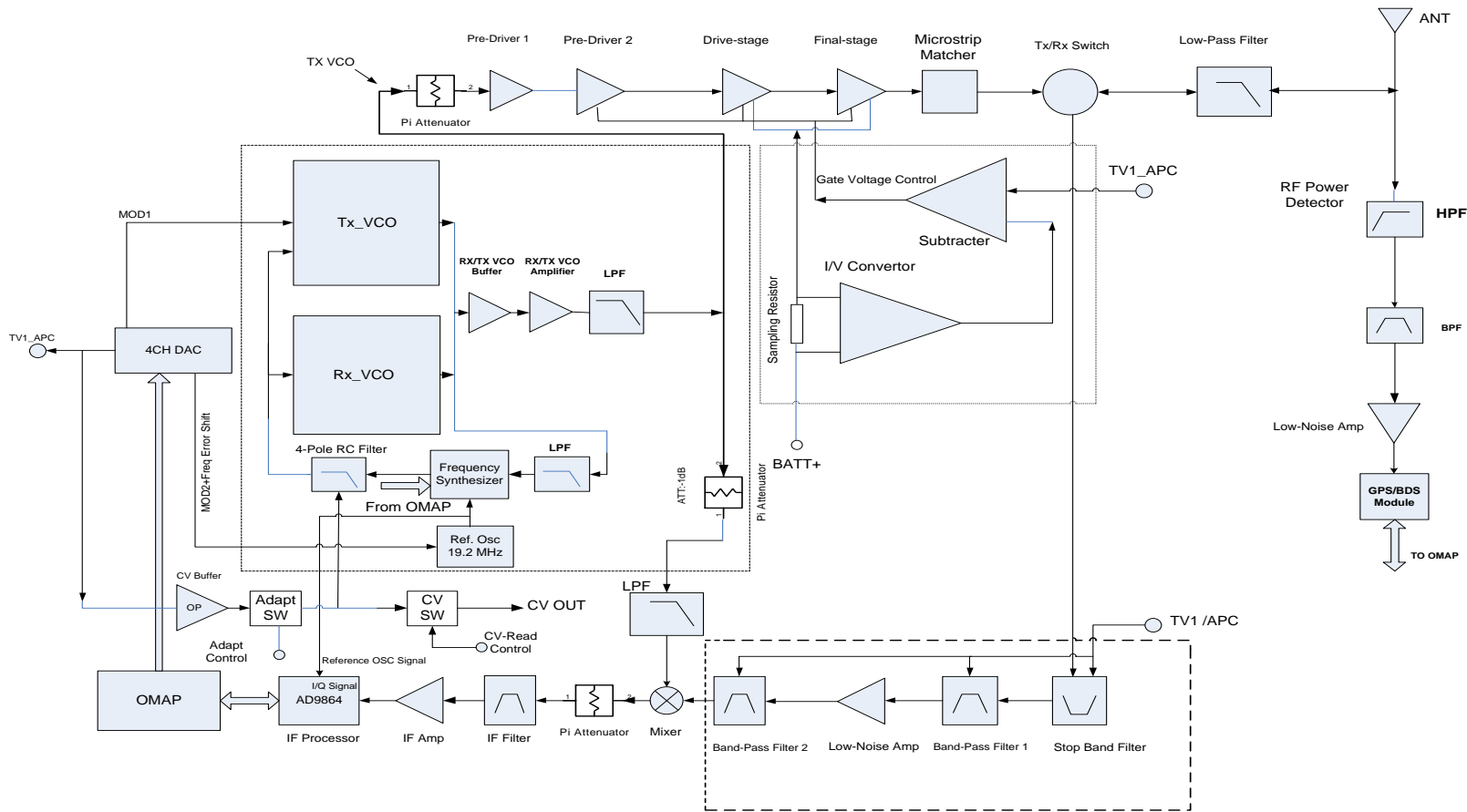


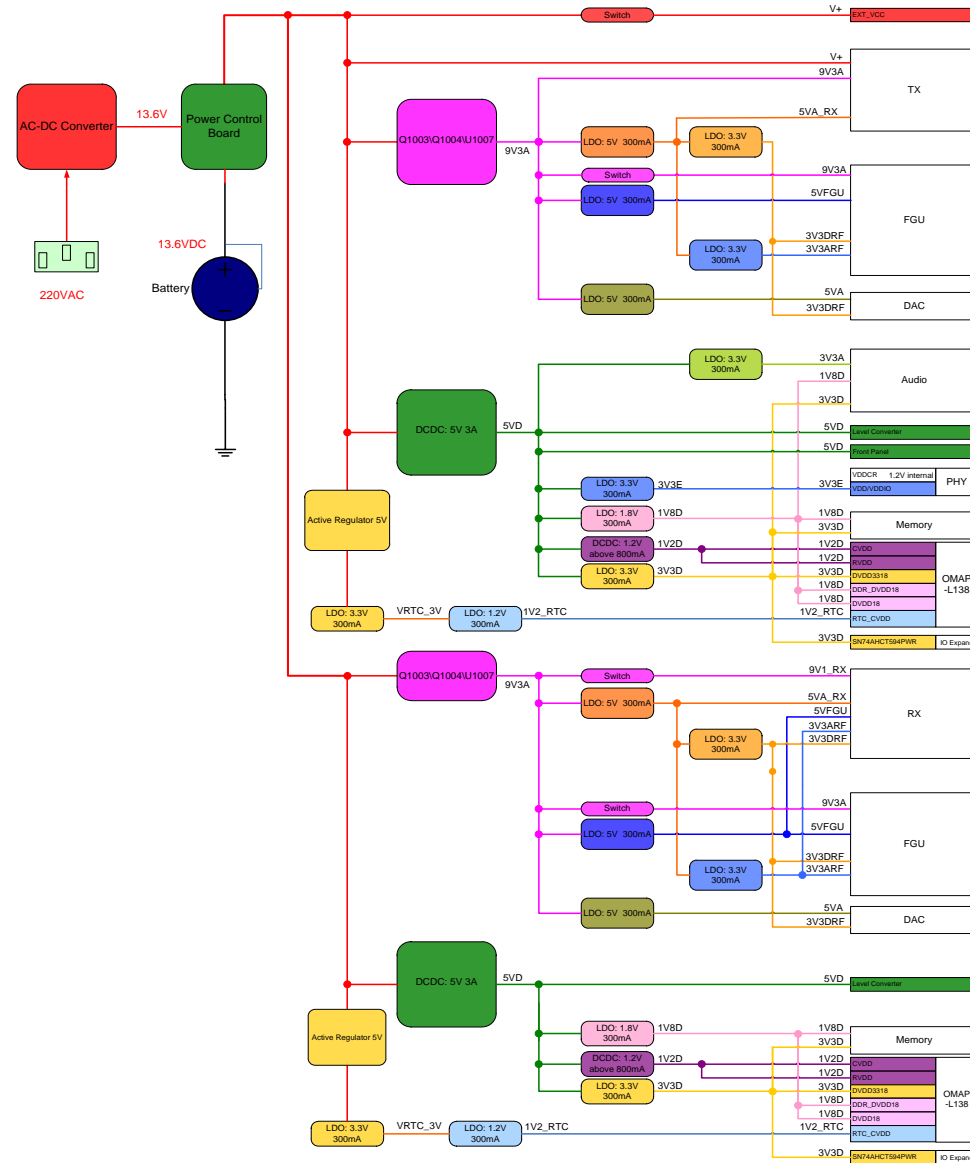
Figure 6-5 PCB View

## 6.5 Block Diagram

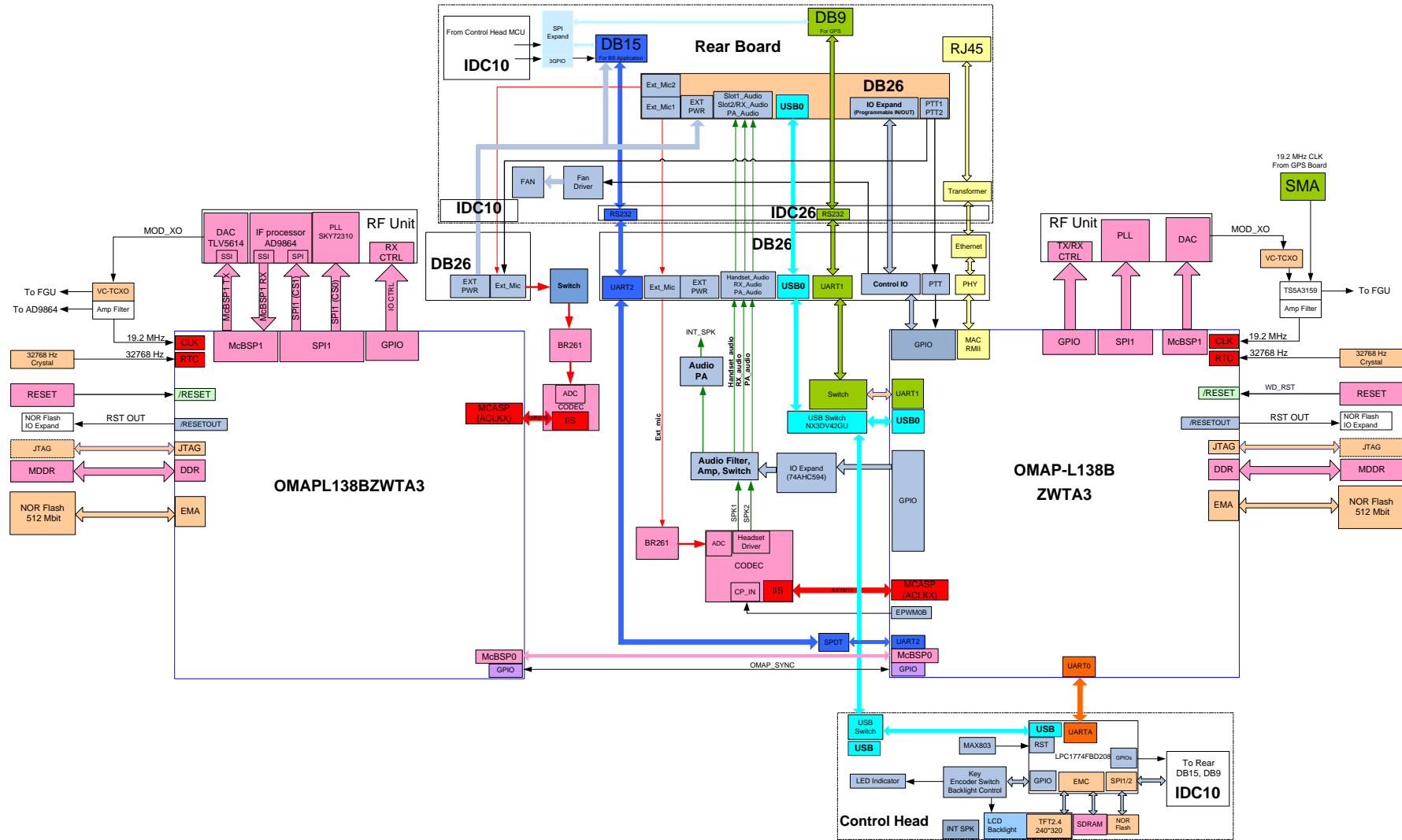
### Block Diagram (RF Section)



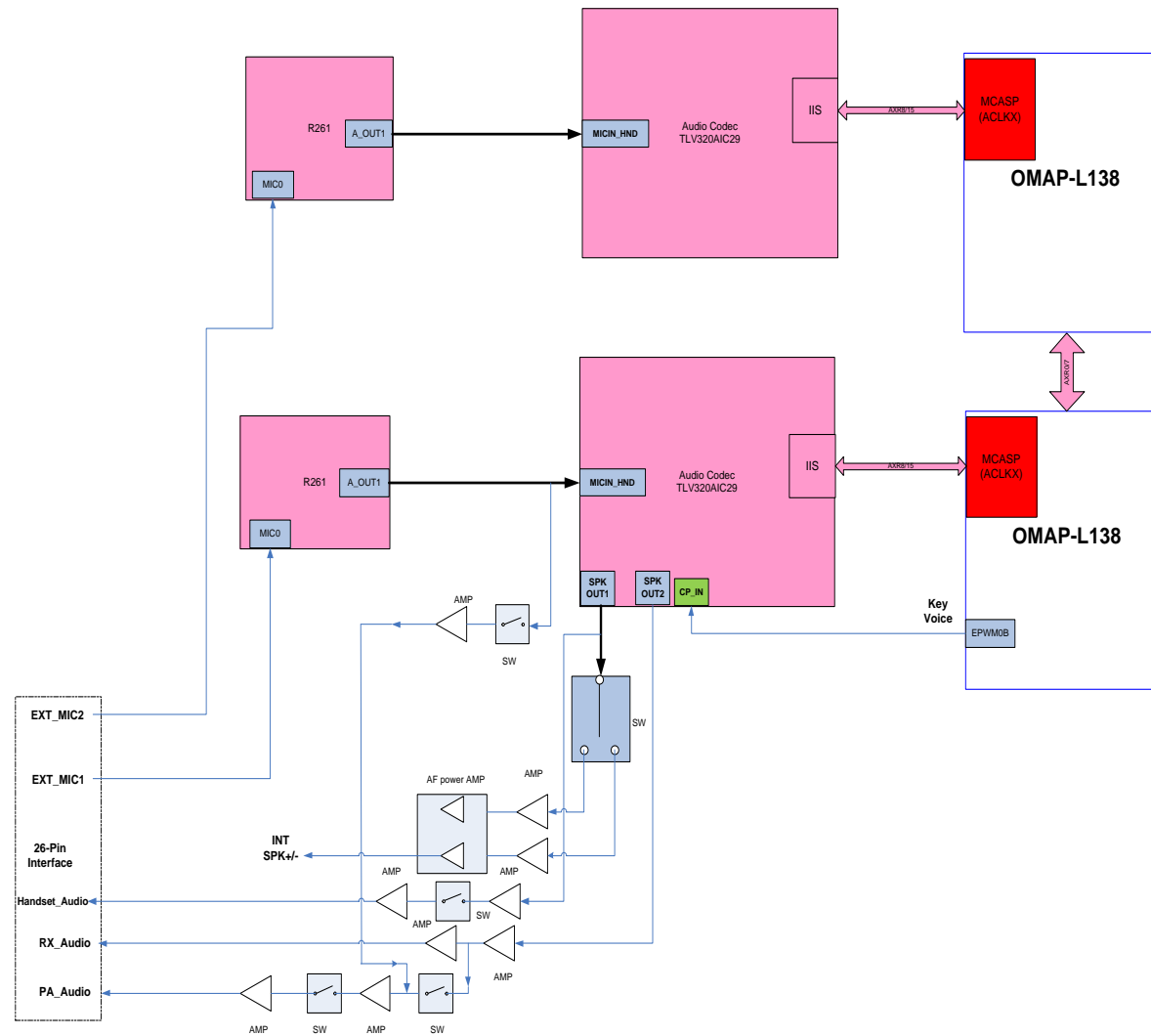
### Block Diagram (Power Section)



### Block Diagram (Baseband Section)



### Block Diagram (Audio Section)



### Block Diagram (Clock Section)

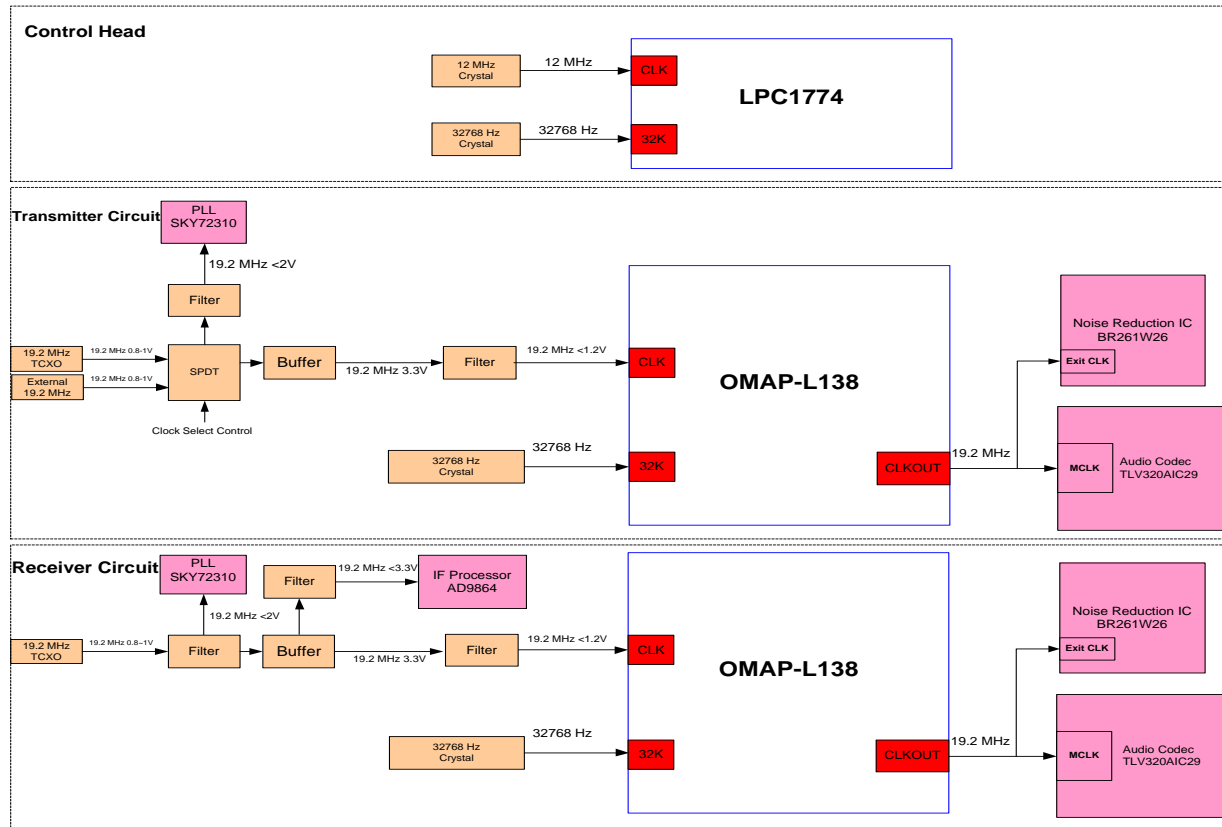
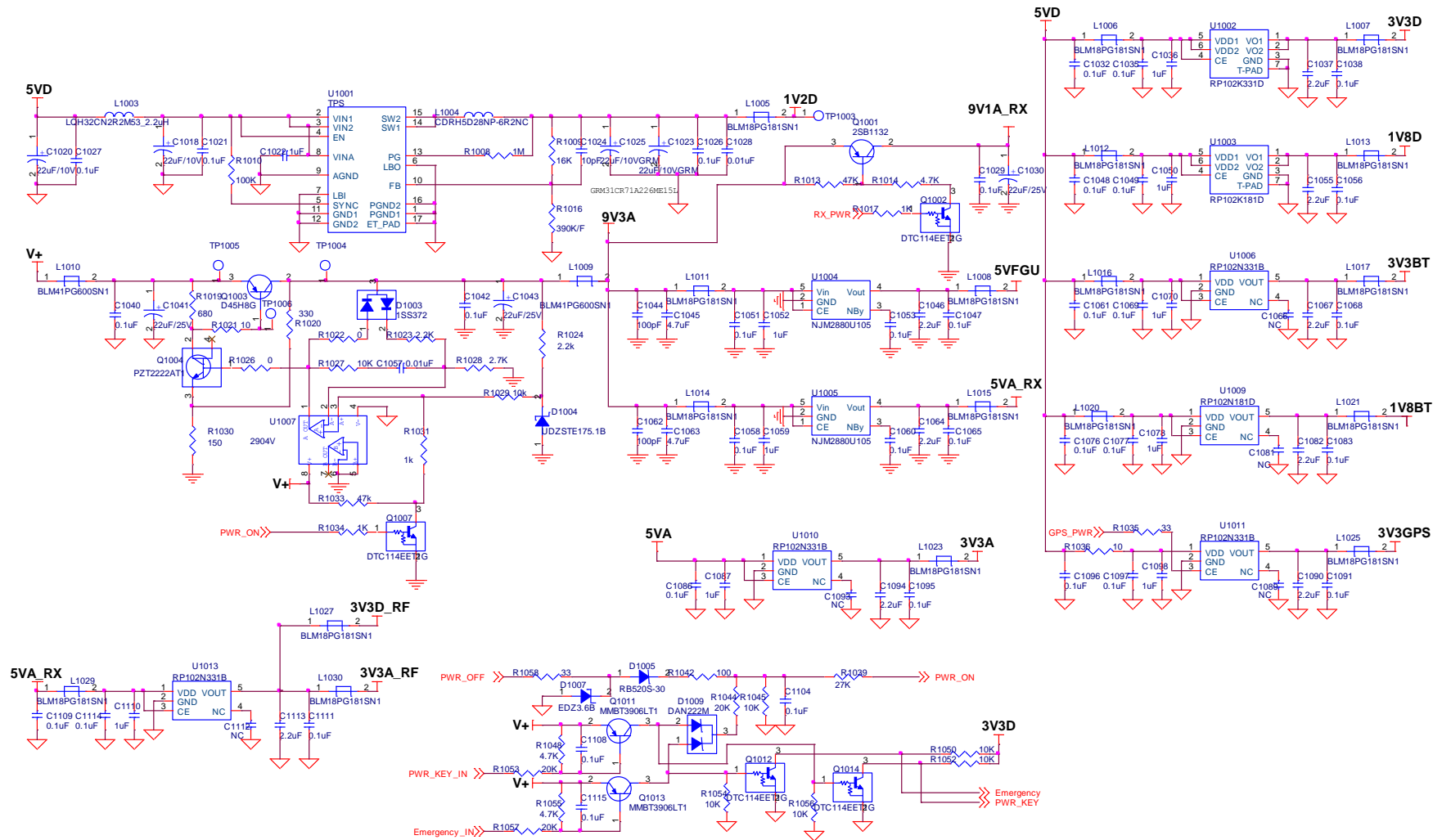


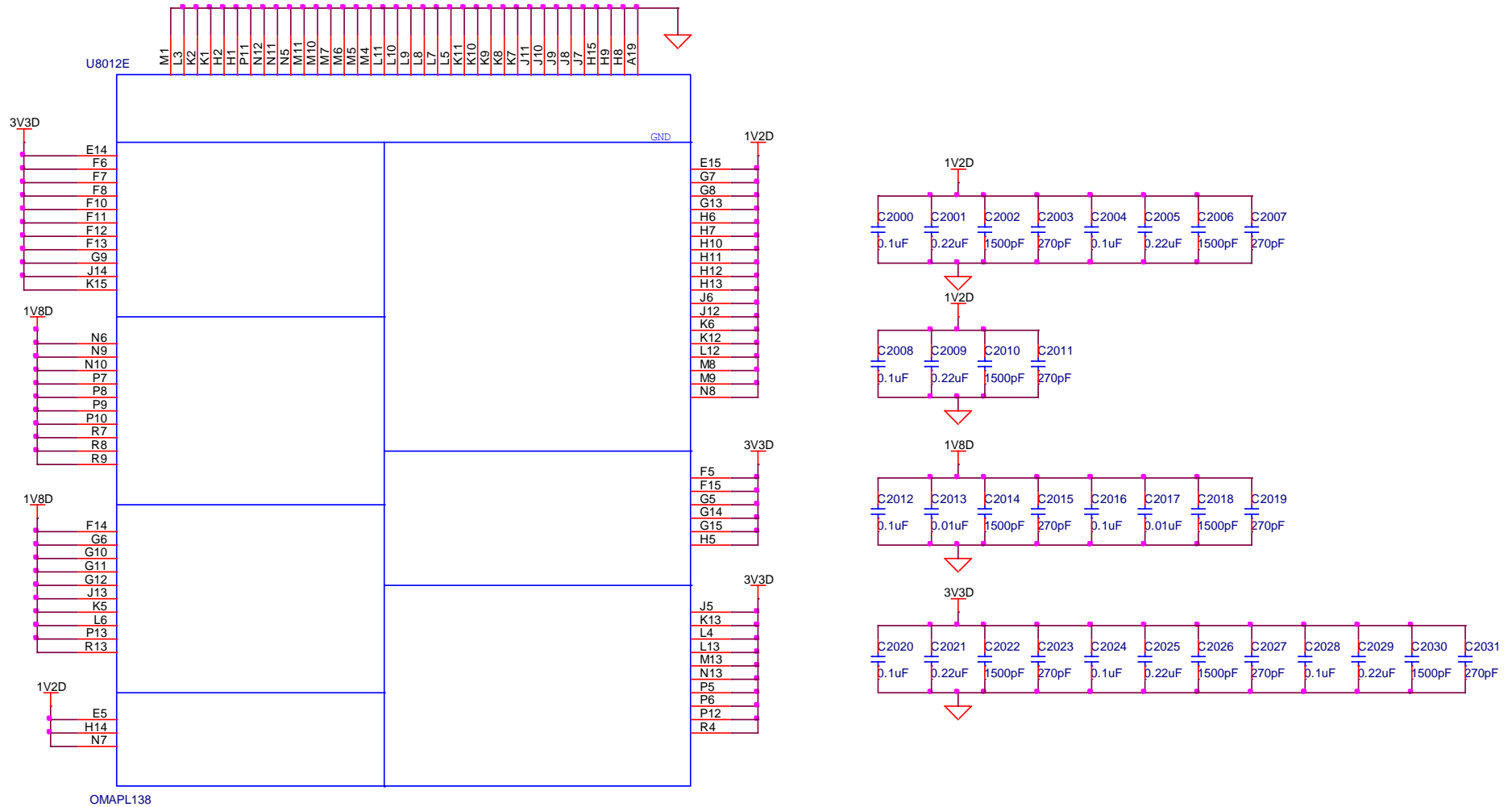
Figure 6-6 Block Diagram

## 6.6 Schematic Diagram

### 01 PWR

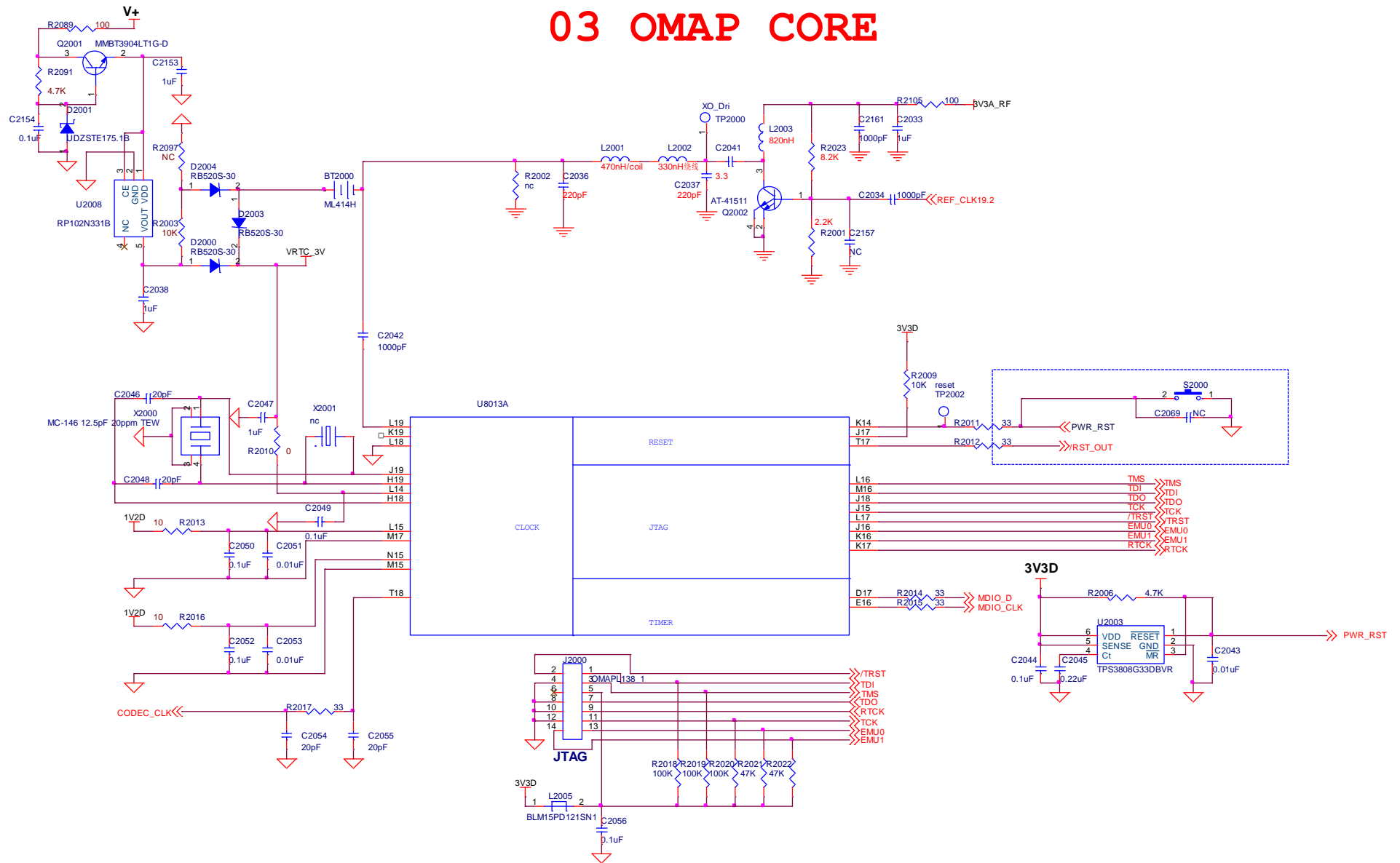


# 02 OMAP PWR

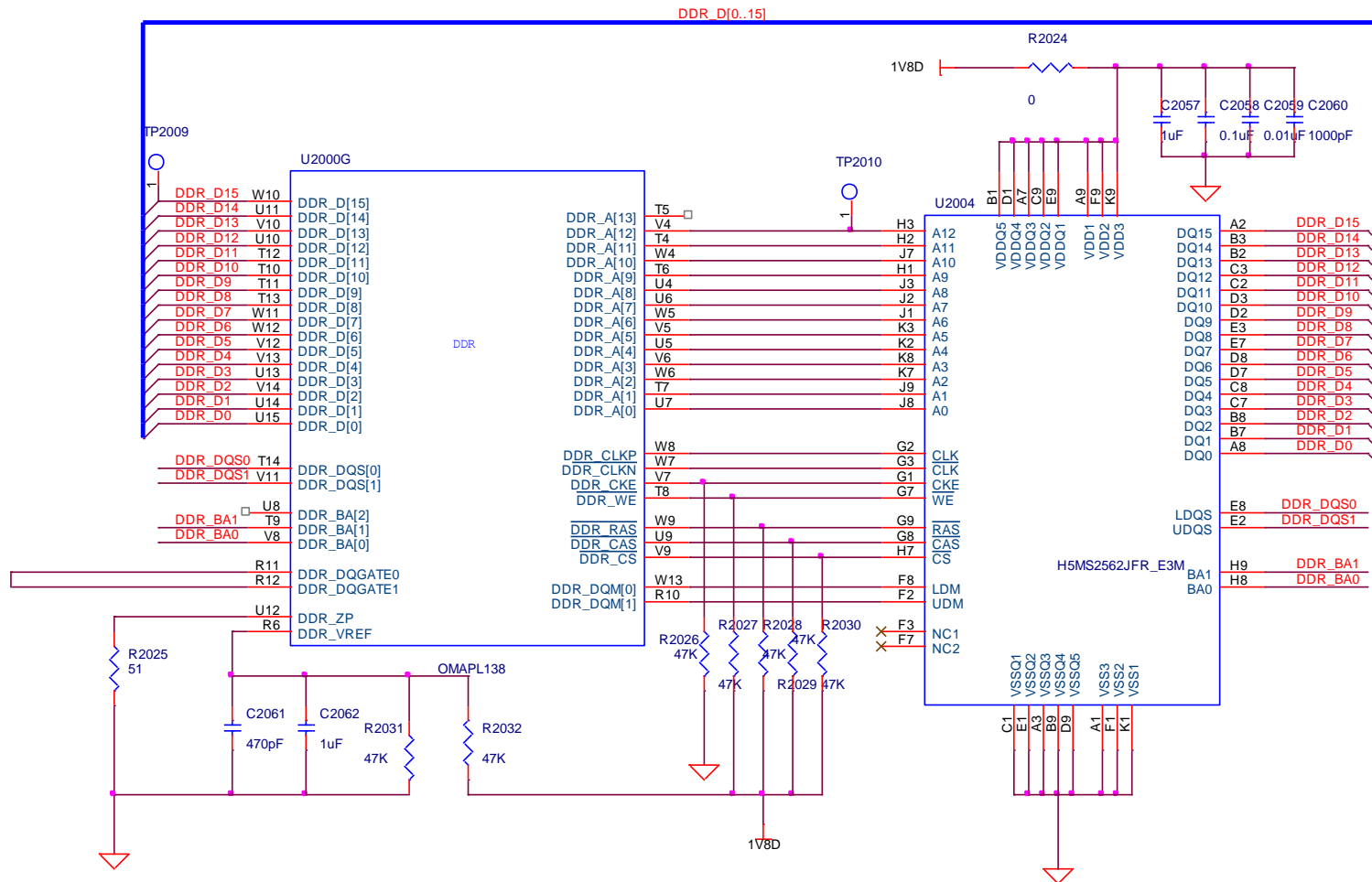




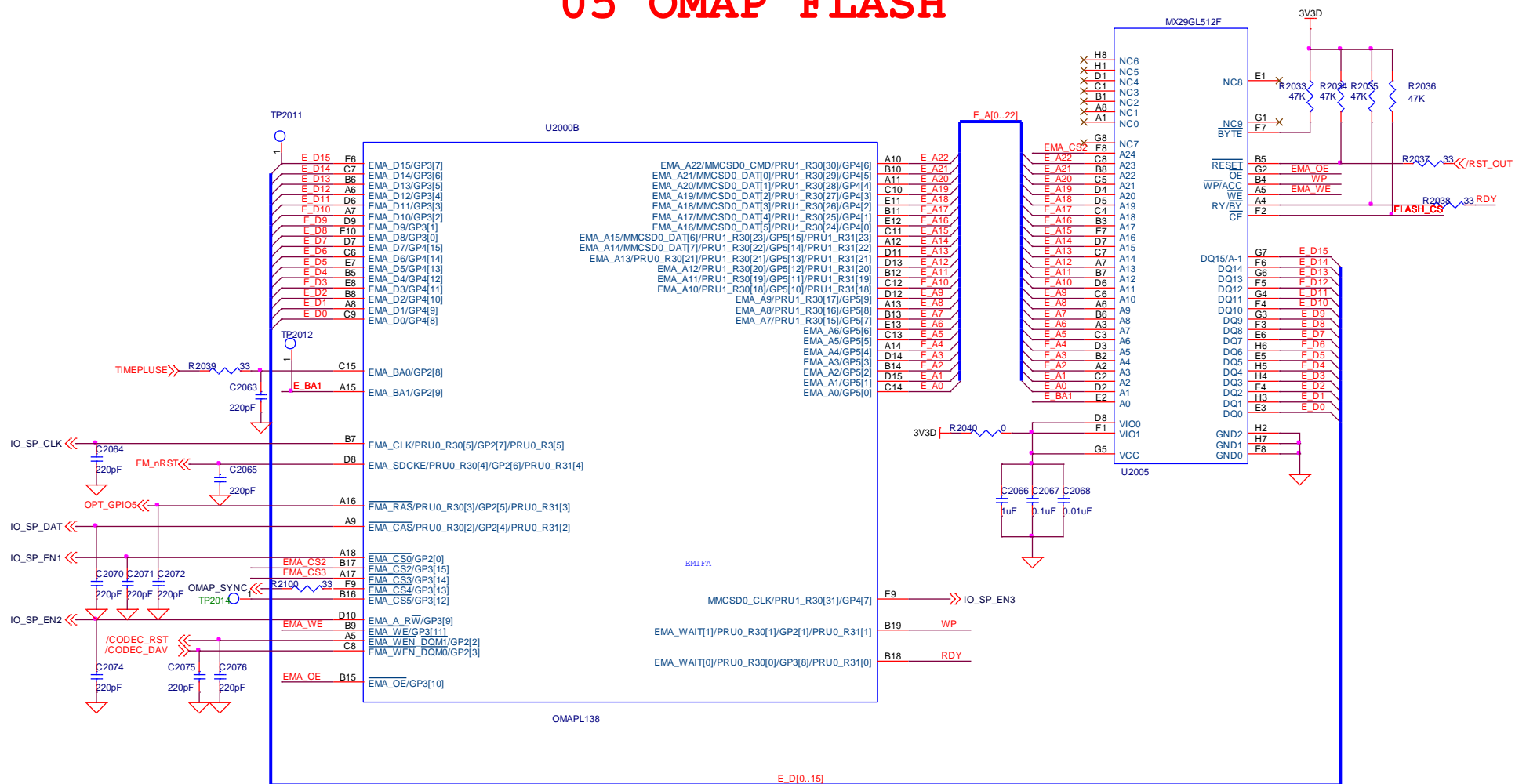
# 03 OMAP CORE



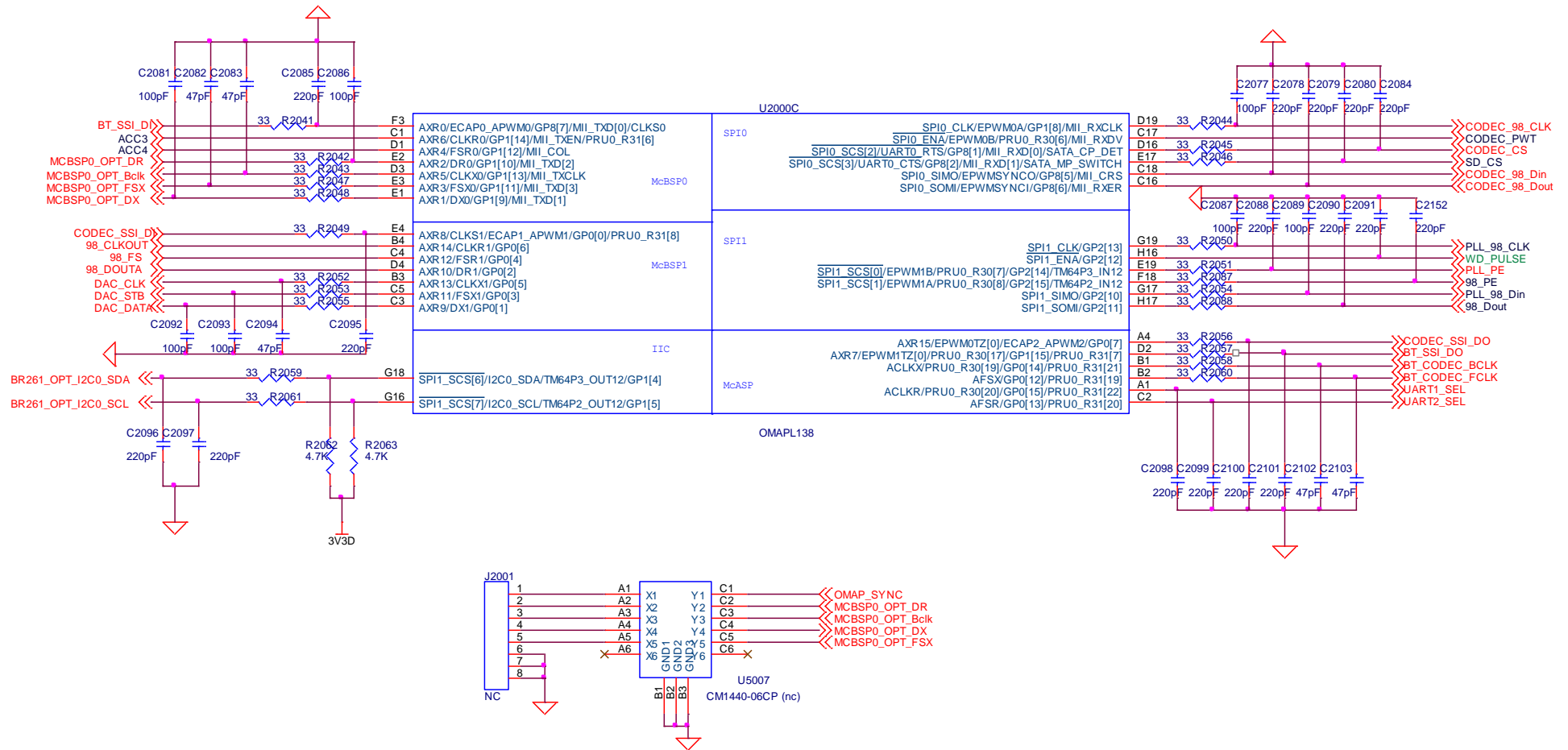
# 04 OMAP mDDR



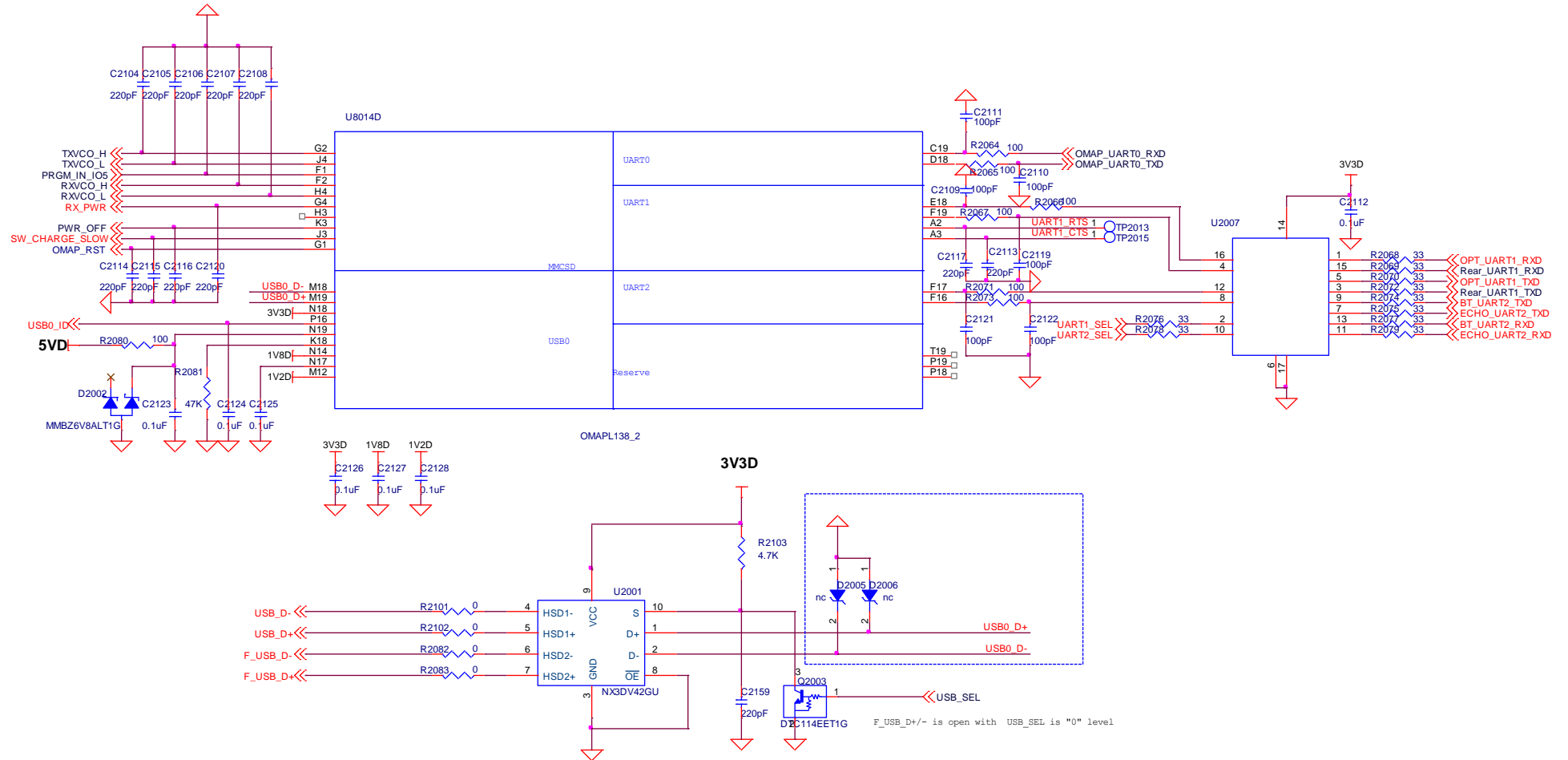
# 05 OMAP FLASH



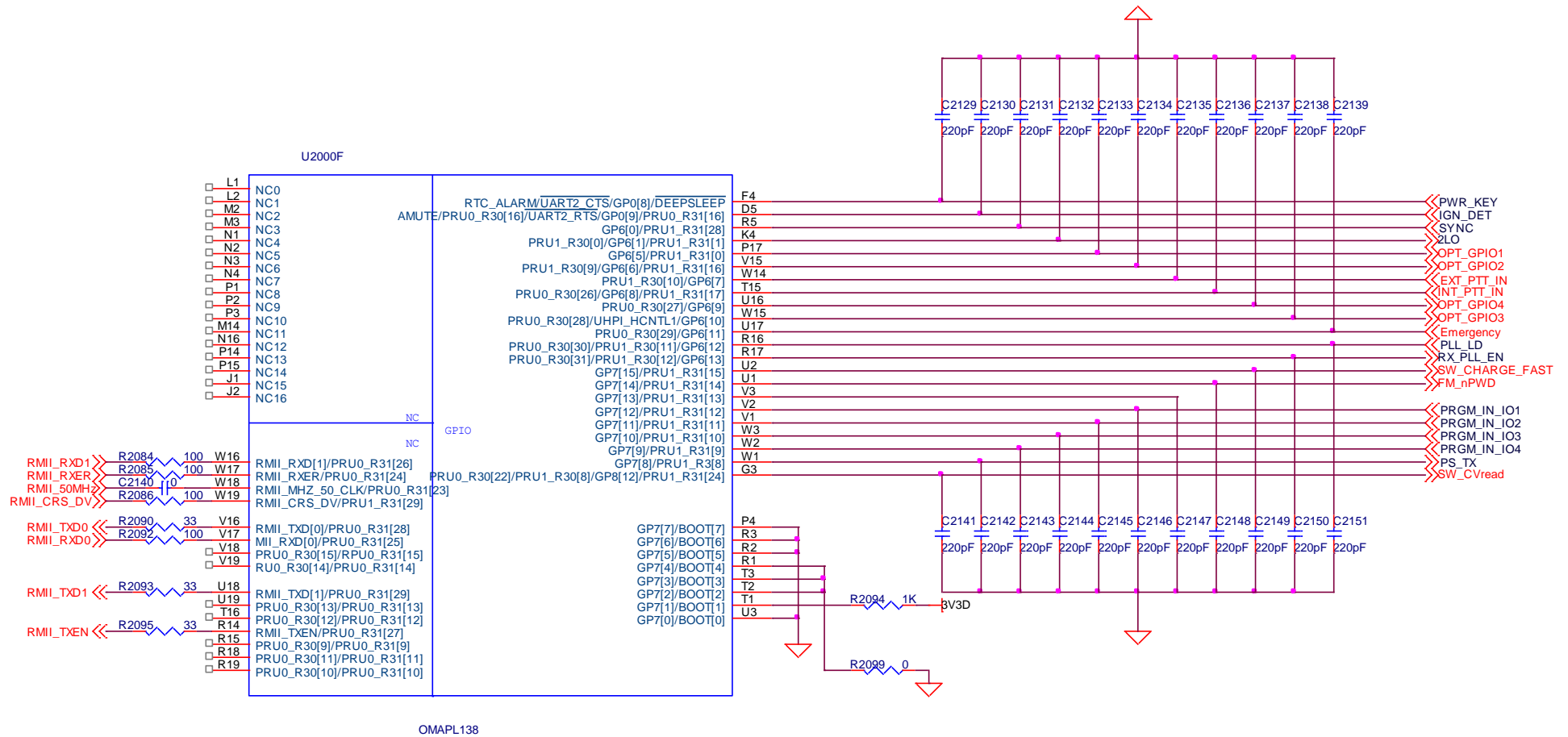
# 06 OMAP SI



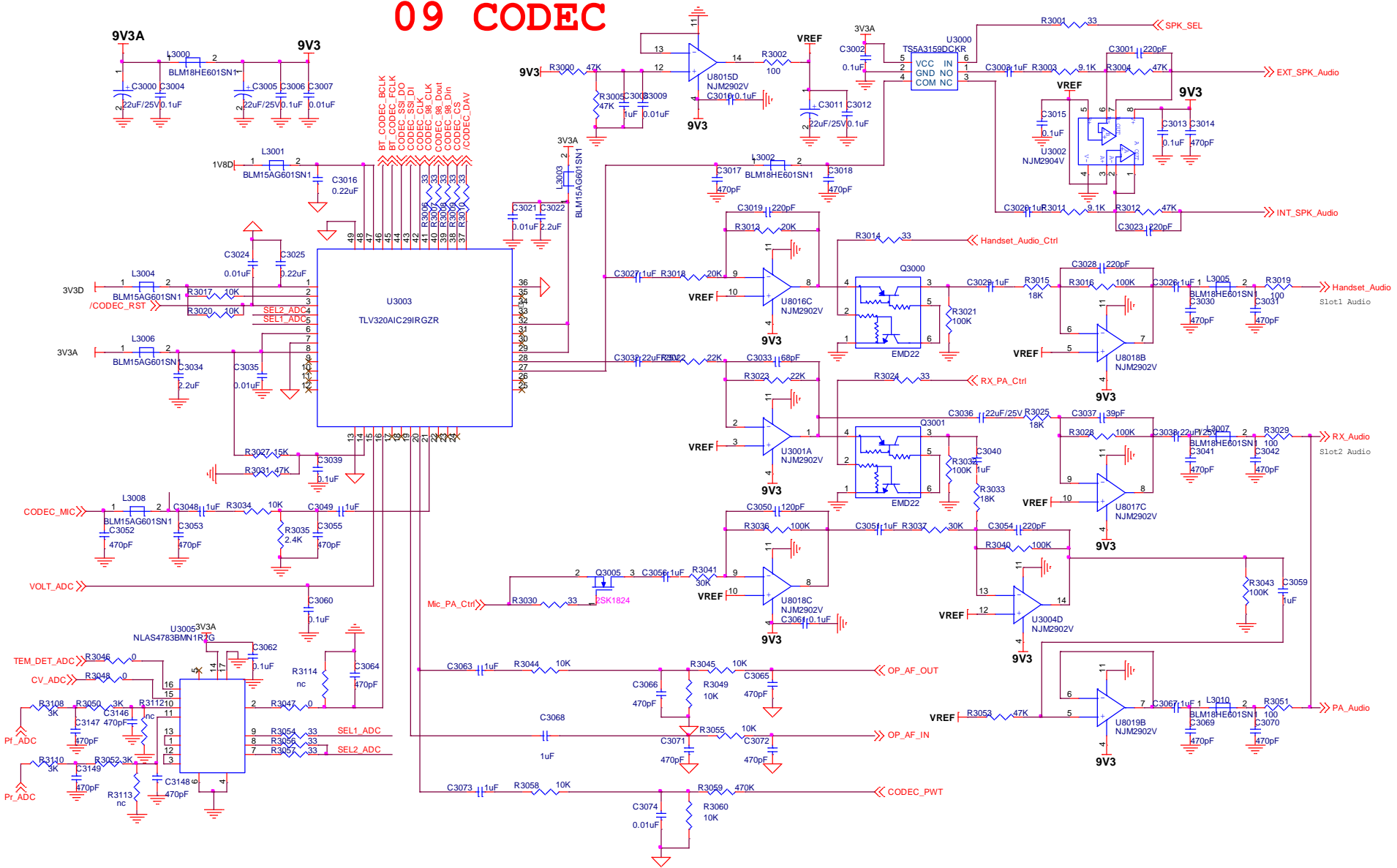
# 07 OMAP UARTS



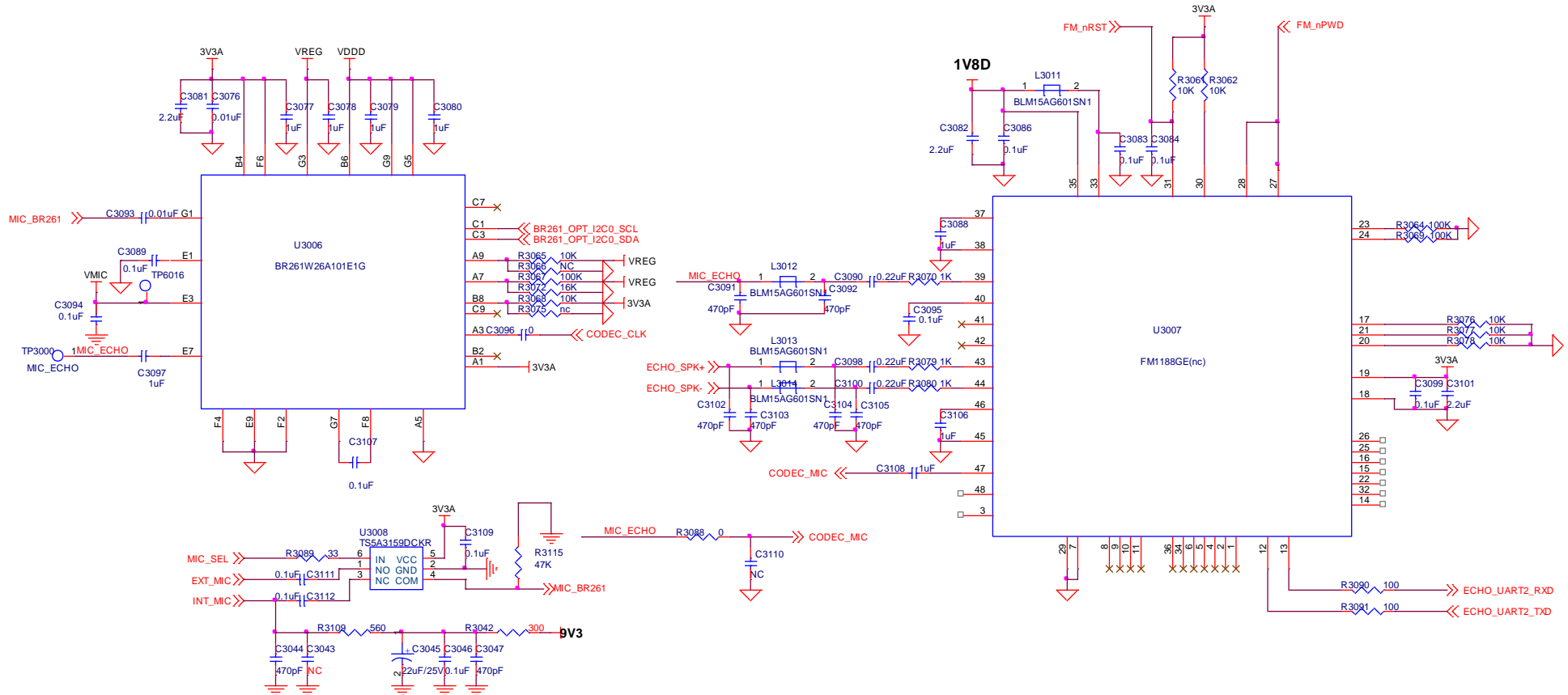
# 08 OMAP BOOT



# 09 CODEC

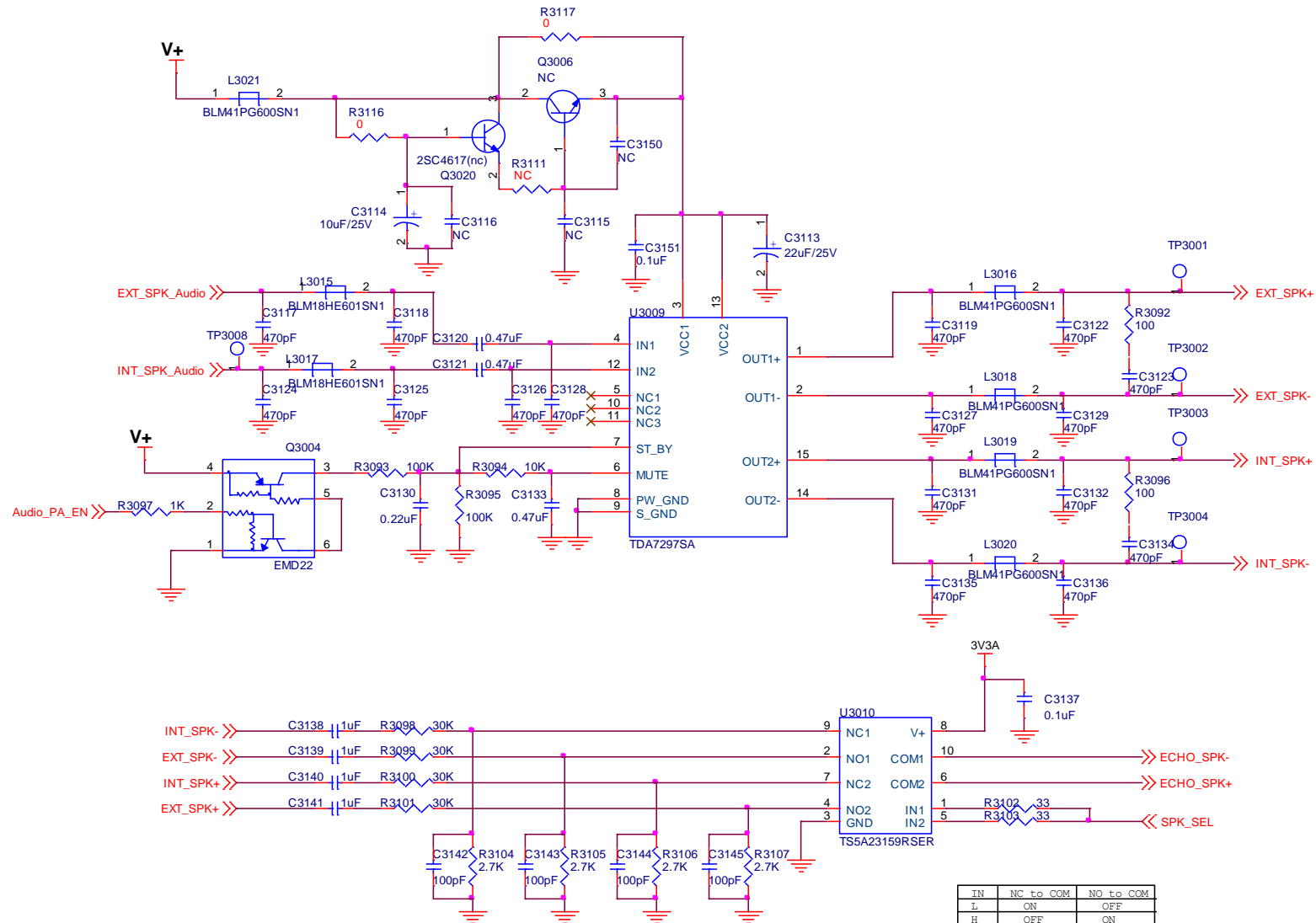


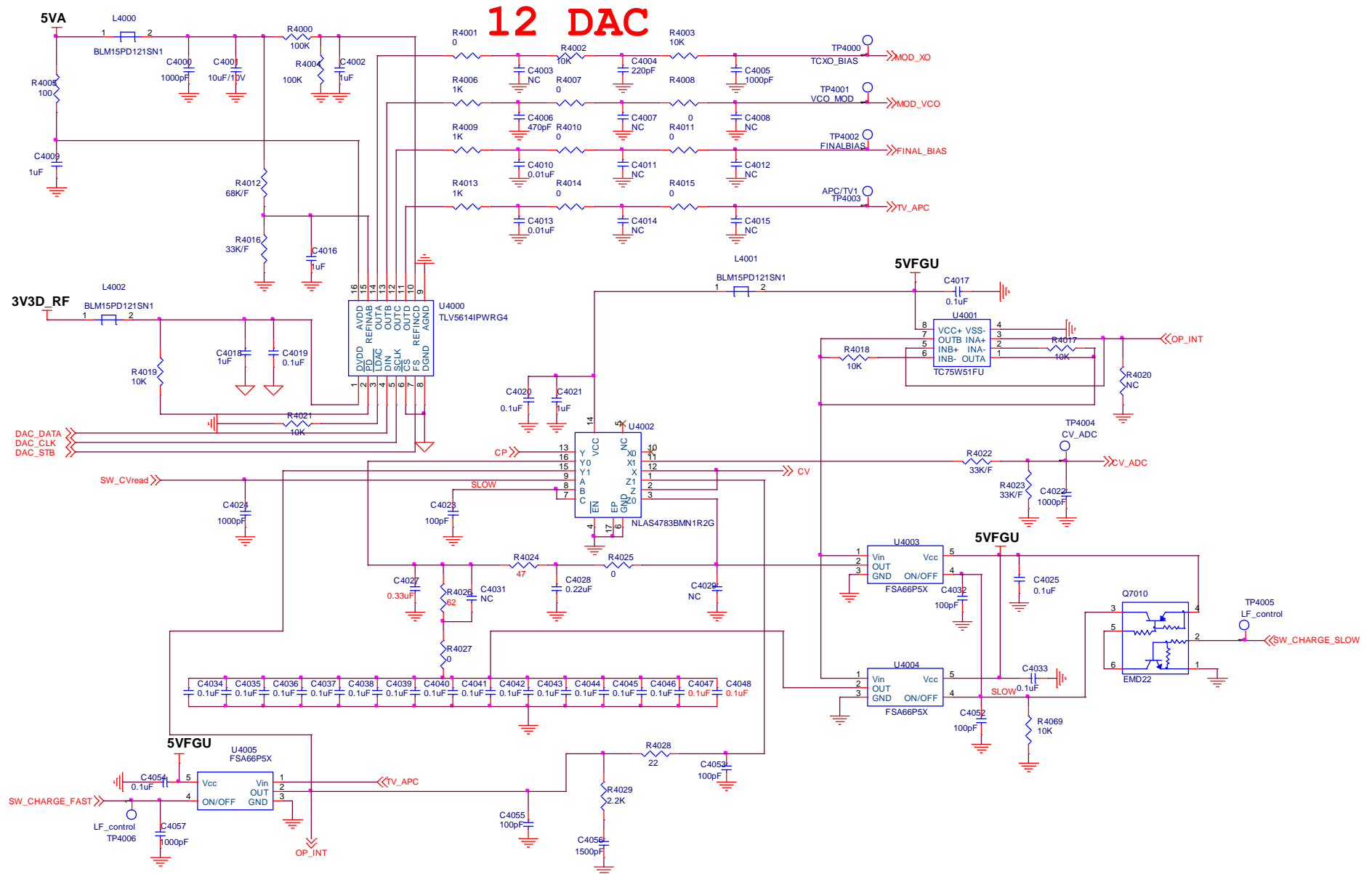
# 10 BR261 and ECHO



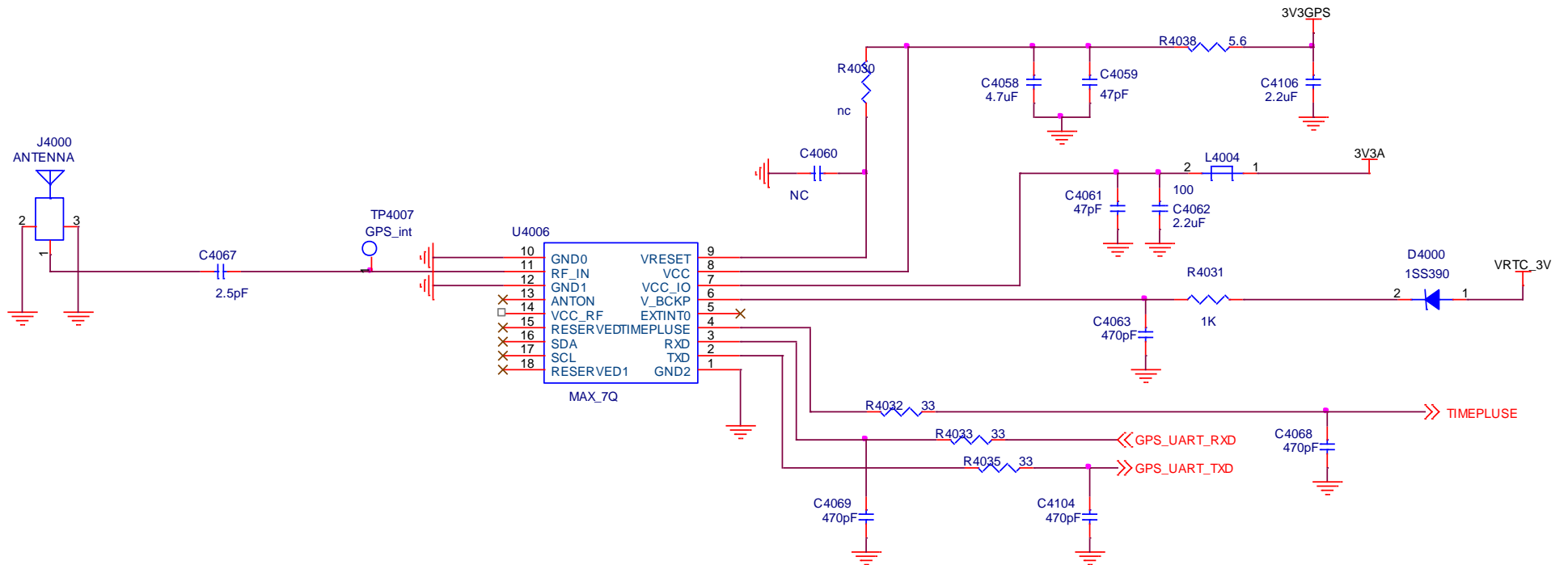


# 11 Audio PA

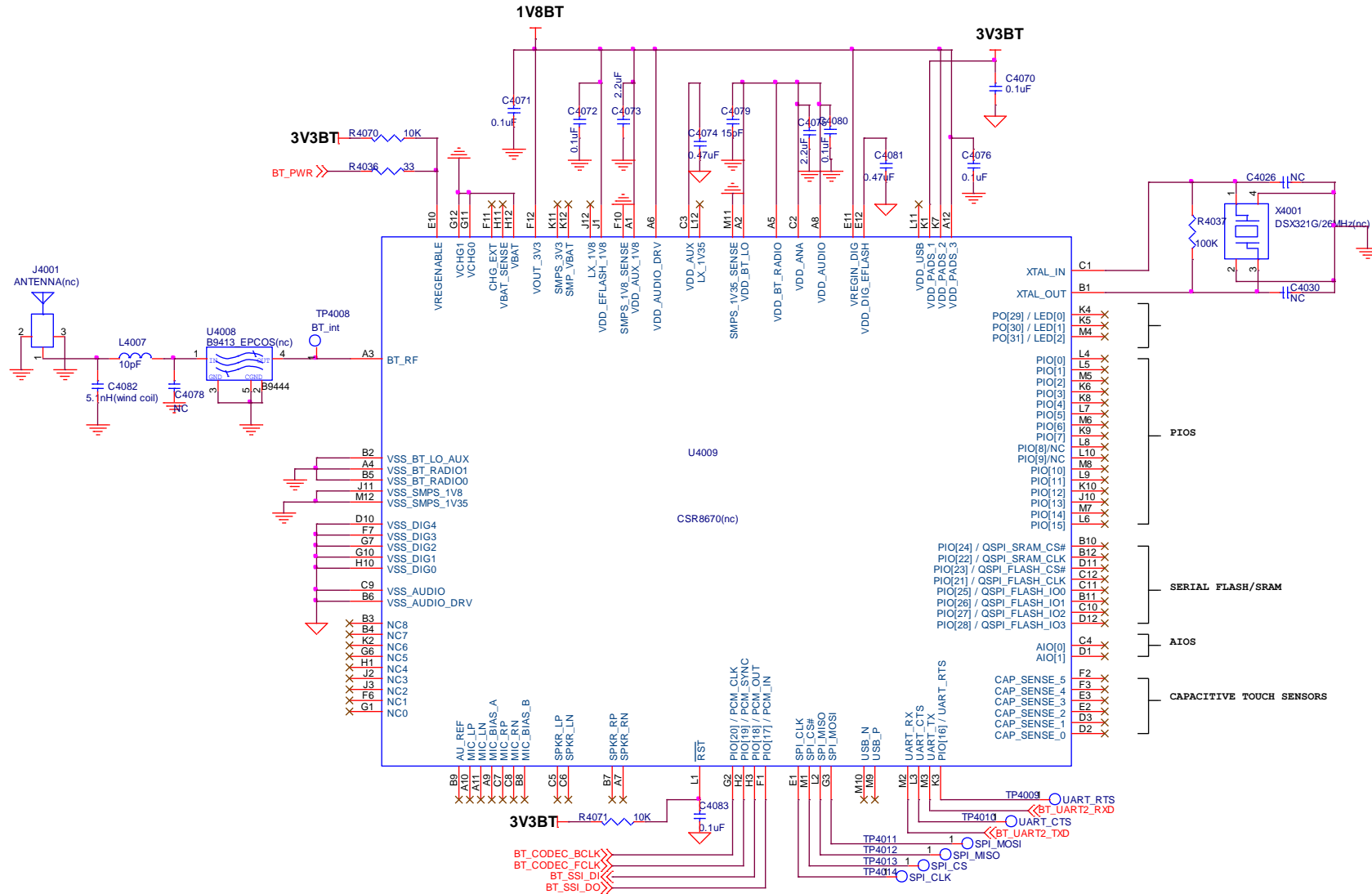




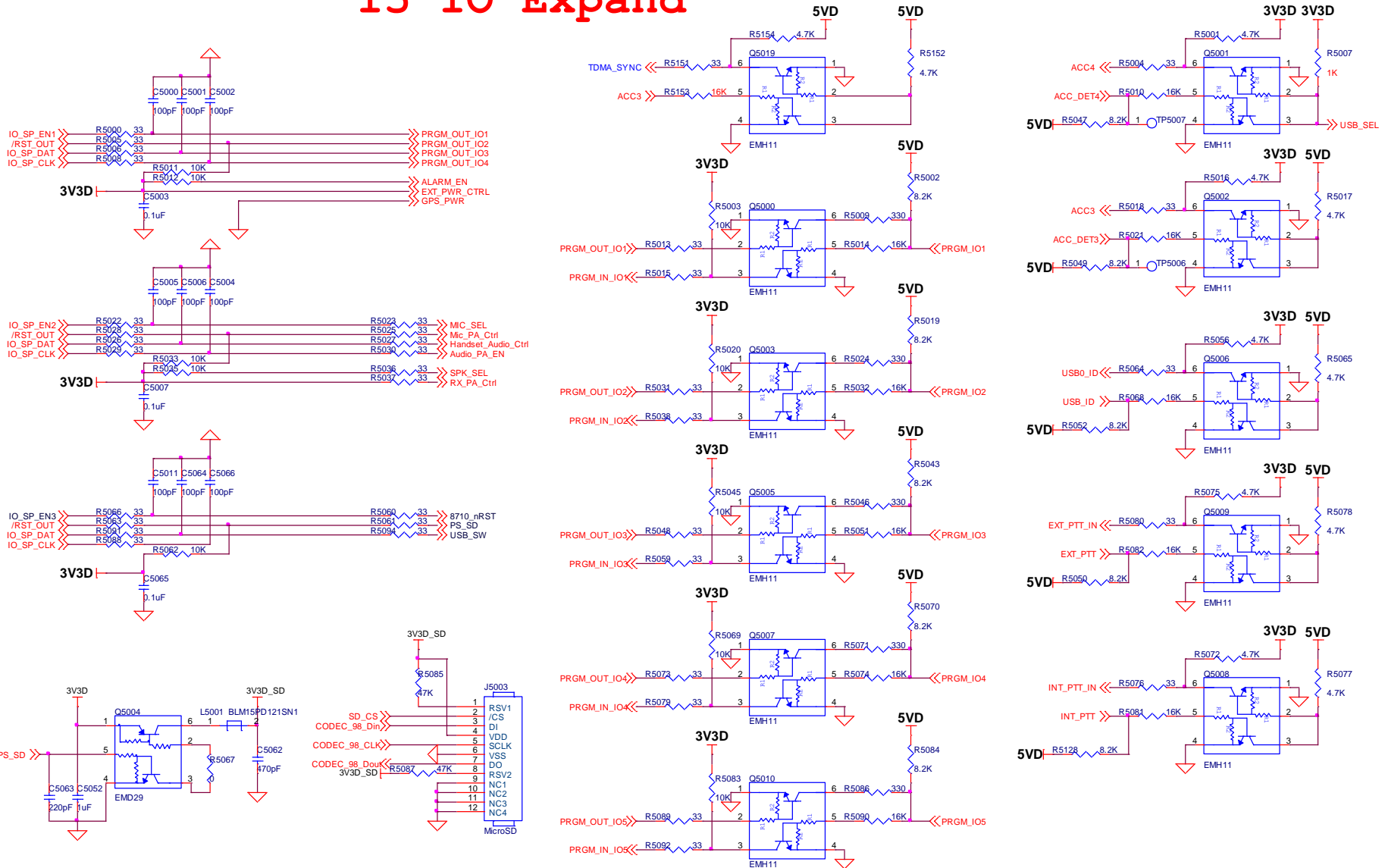
# 13 GPS



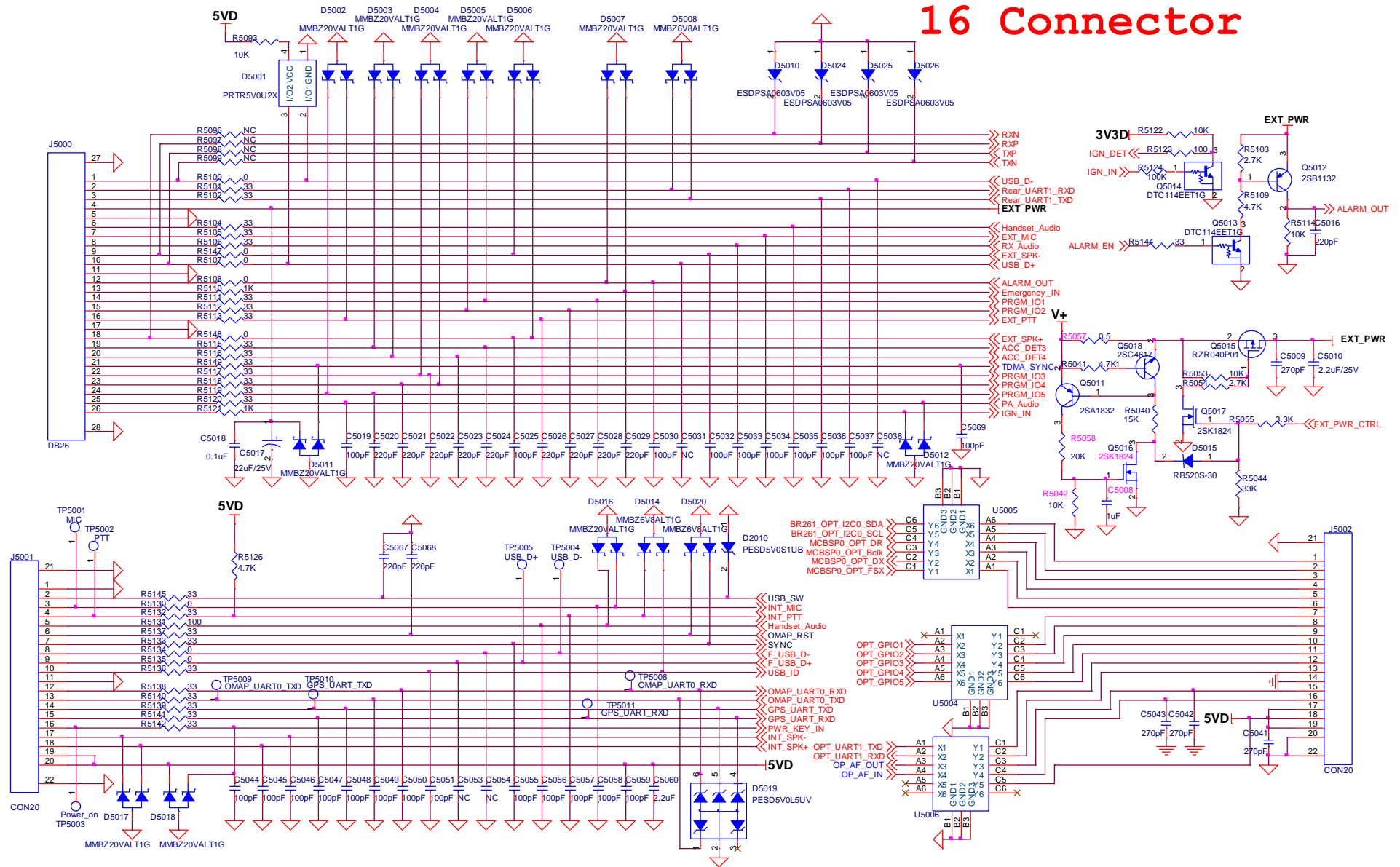
# 14 Bluetooth

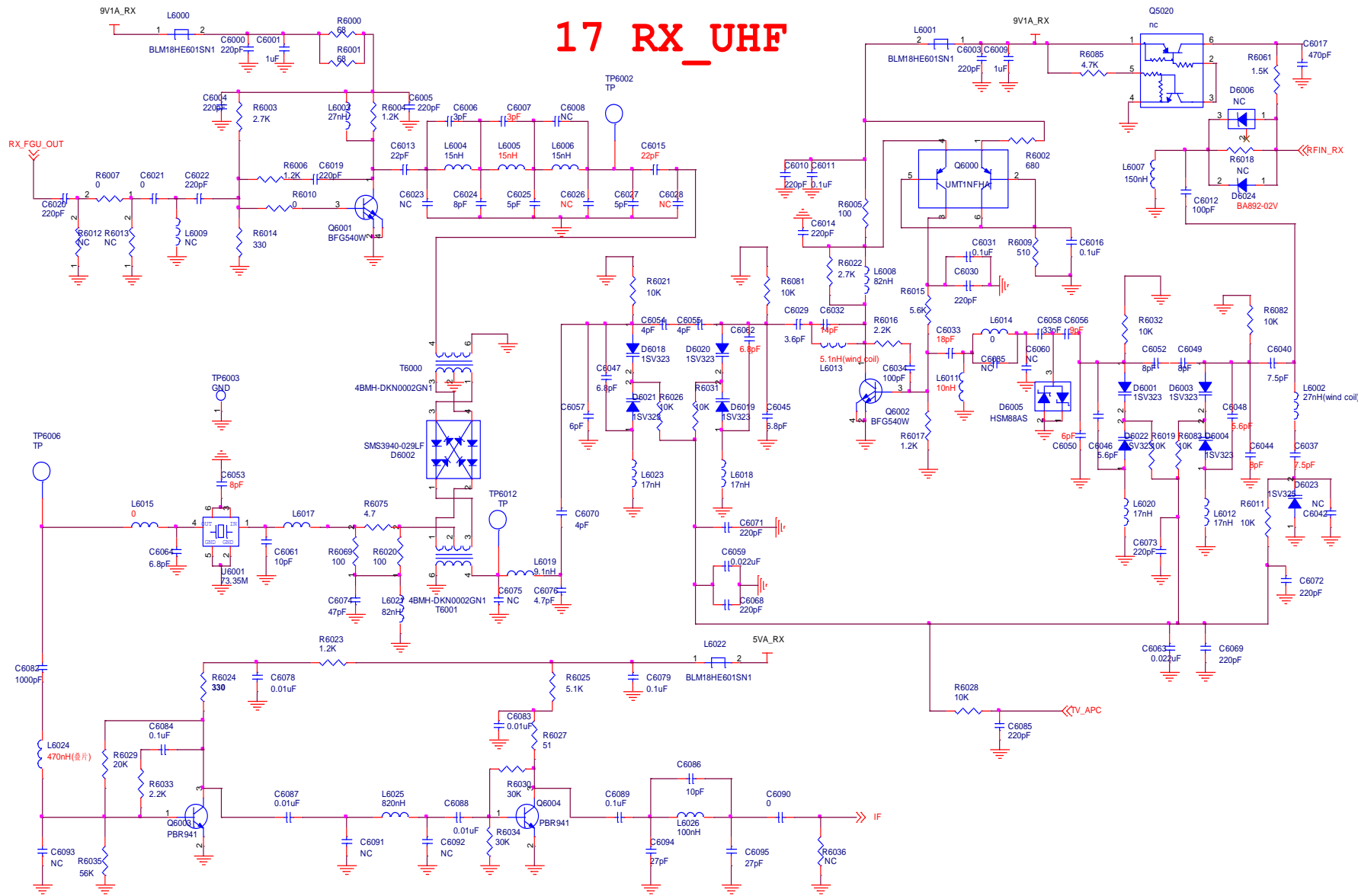


# 15 IO Expand

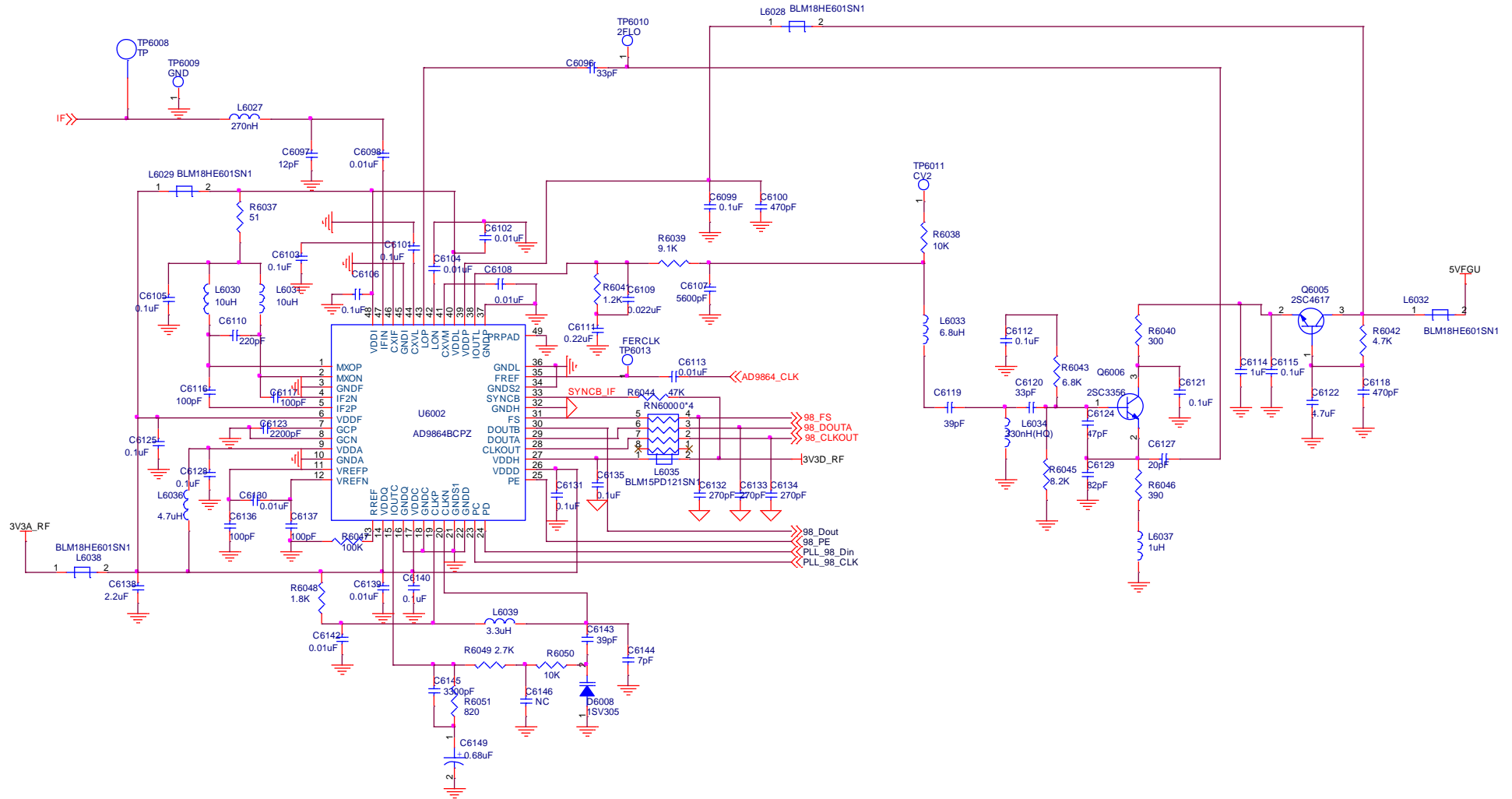


# 16 Connector



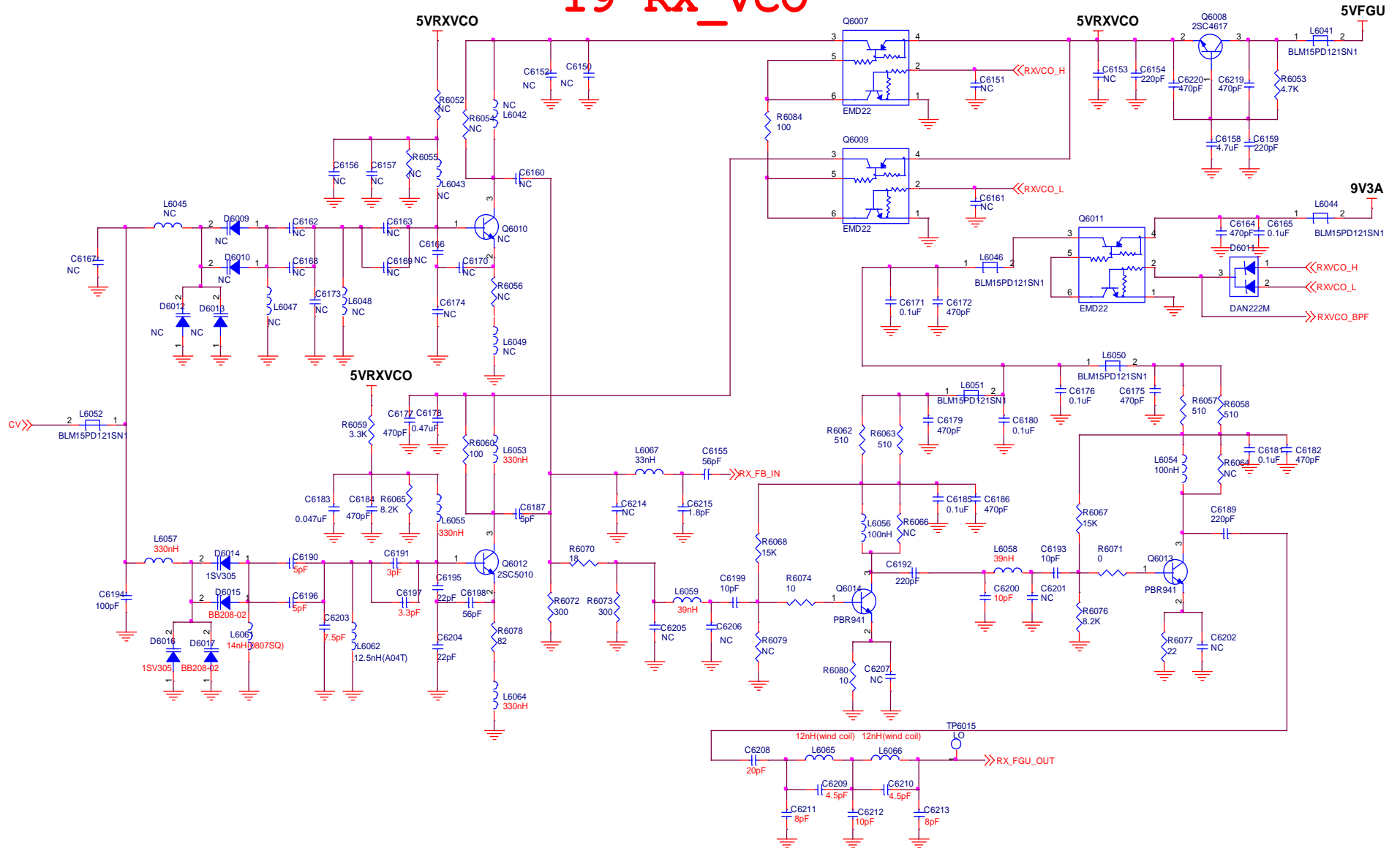


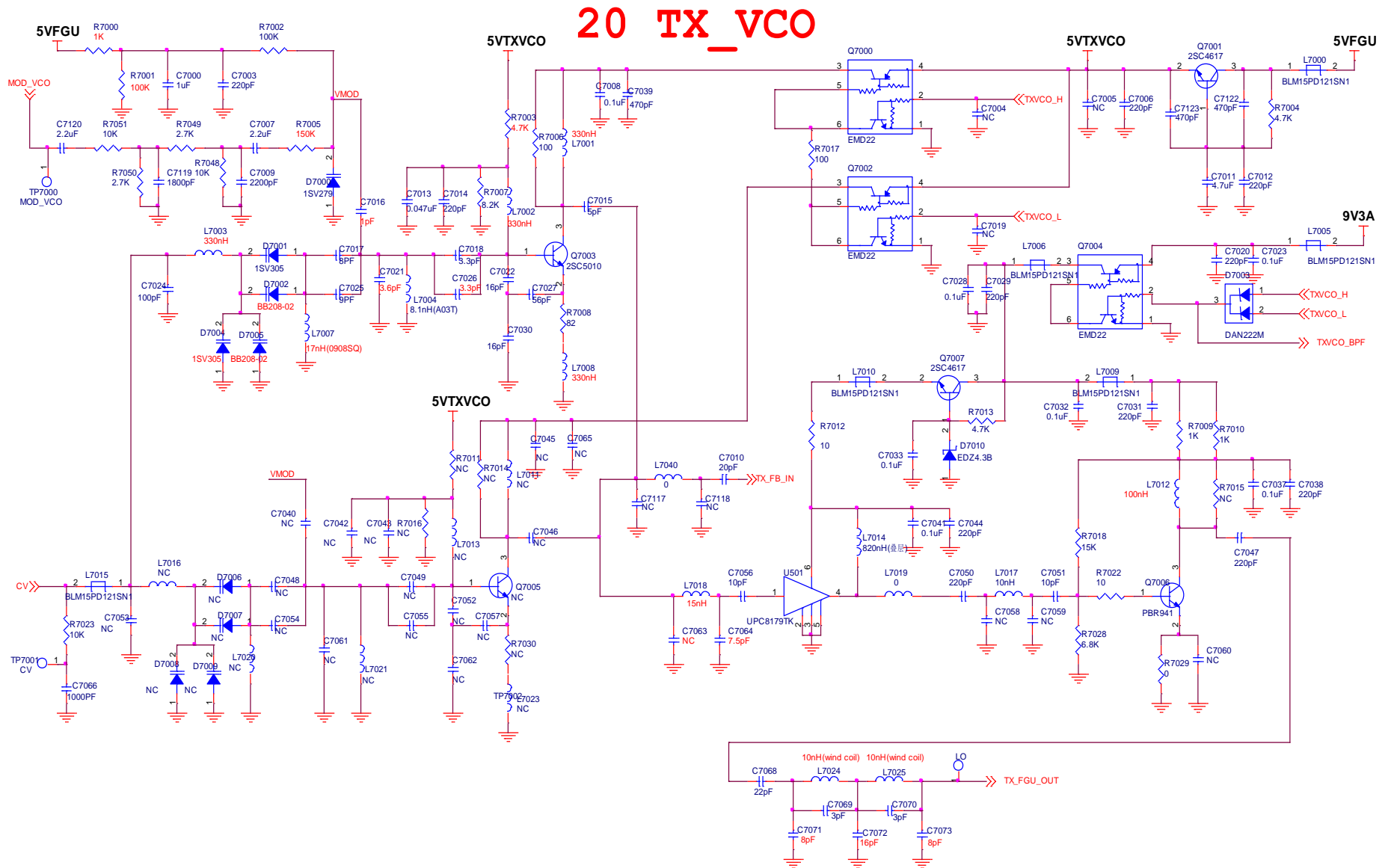
# 18 AD9864



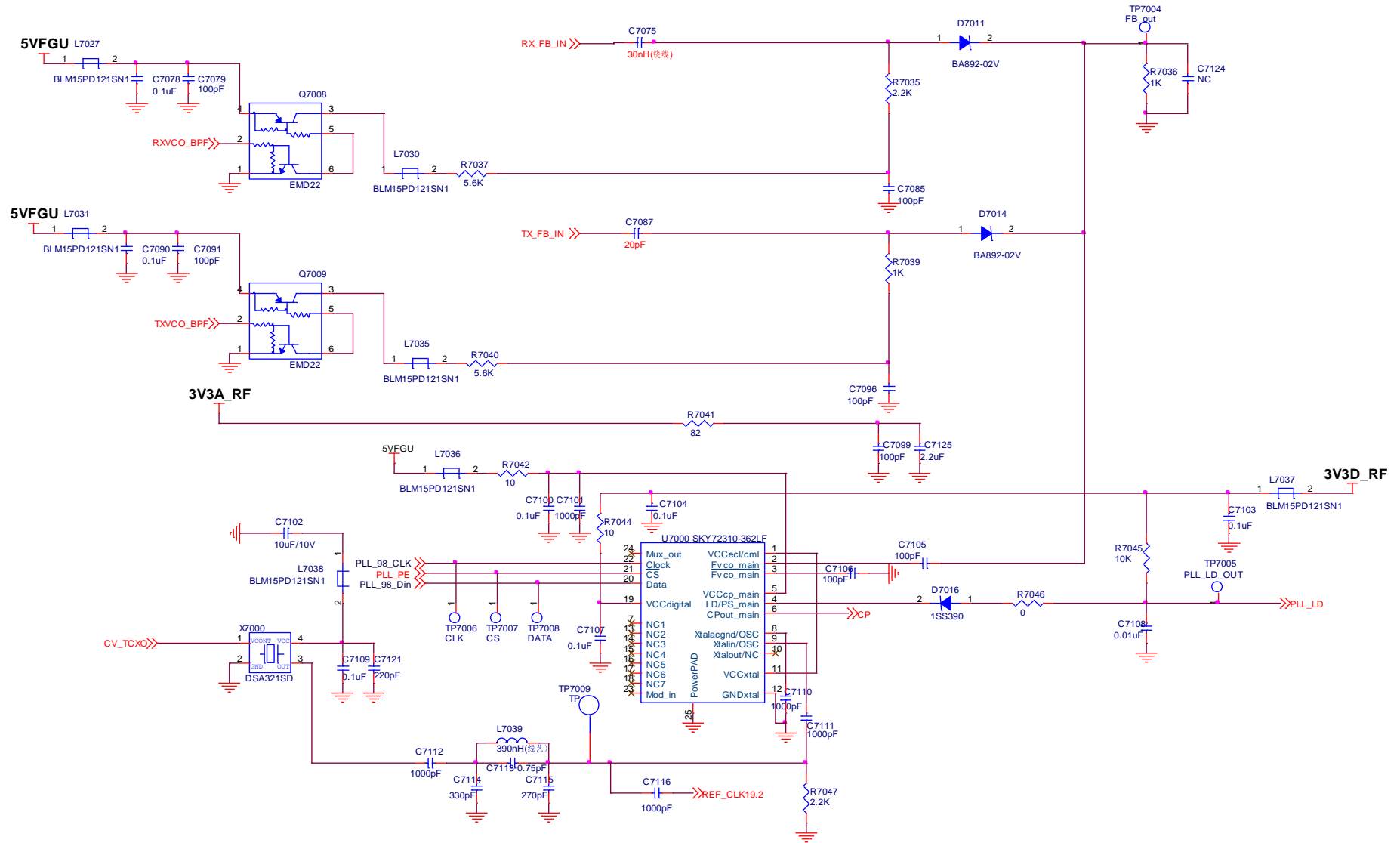


# 19 RX\_VCO

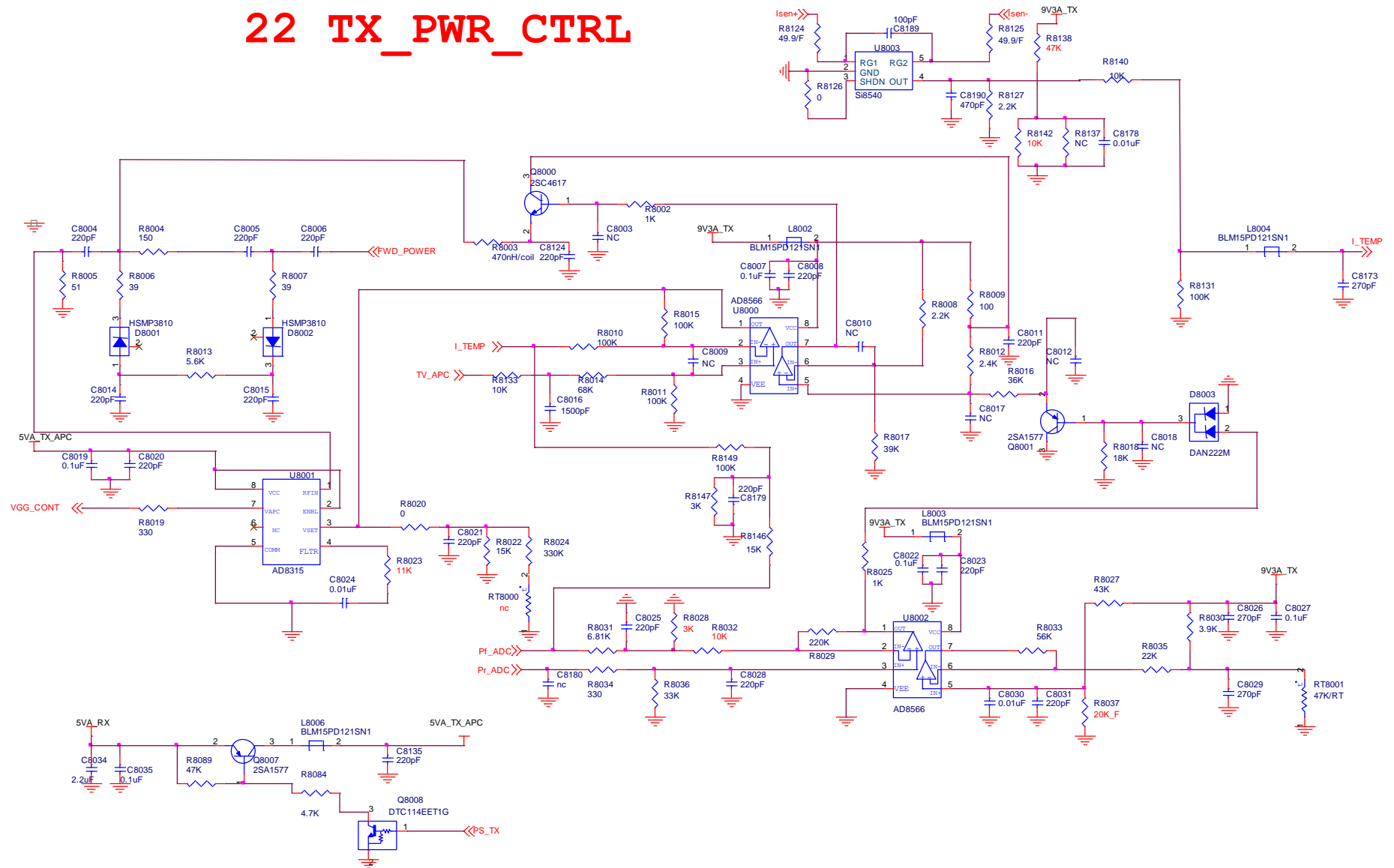




# 21 PLL



## 22 TX\_PWR\_CTRL



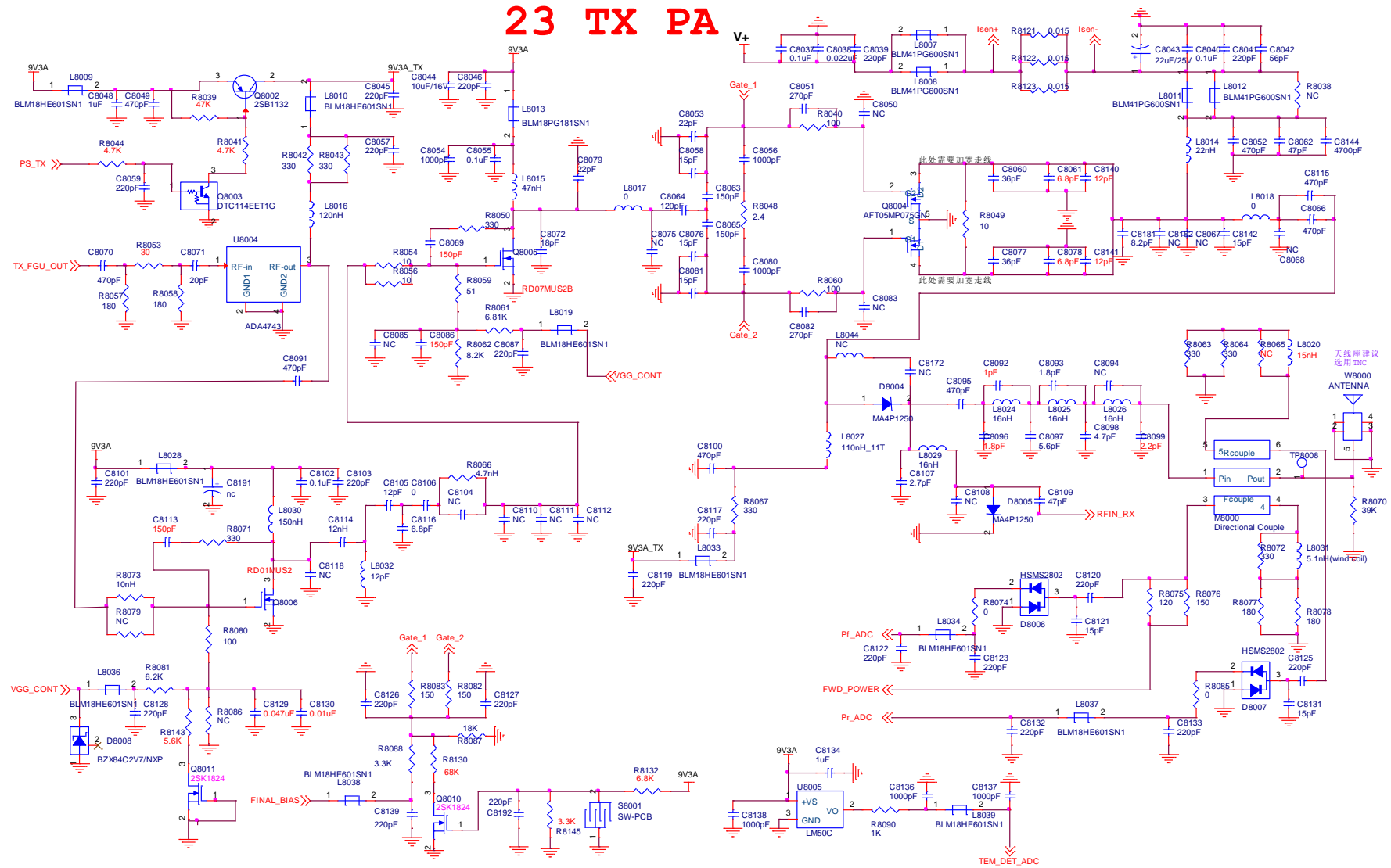


Figure 6-7 Schematic Diagram

## 6.7 Parts List

### RDR9000 TX

#### Board

No.	Ref. No.	Print No.	Part No.	Description
1	R4015	B7J	ERC02000J000	0 Ω
2	R5067	T3D	ERC02000J000	0 Ω
3	R5100	T2B	ERC02000J000	0 Ω
4	R5107	T2A	ERC02000J000	0 Ω
5	R5108	T3B	ERC02000J000	0 Ω
6	R5125	T5K	ERC02000J000	0 Ω
7	R5130	T5J	ERC02000J000	0 Ω
8	R5134	T6K	ERC02000J000	0 Ω
9	R5135	T6K	ERC02000J000	0 Ω
10	R6007	B12J	ERC02000J000	0 Ω
11	R6010	B12J	ERC02000J000	0 Ω
12	C6021	B12J	ERC02000J000	0 Ω
13	R6071	T12J	ERC02000J000	0 Ω
14	C6090	B15I	ERC02000J000	0 Ω
15	R7029	T8J	ERC02000J000	0 Ω
16	R7046	T10K	ERC02000J000	0 Ω
17	R8020	T14G	ERC02000J000	0 Ω
18	R8074	T15D	ERC02000J000	0 Ω
19	R8085	T14B	ERC02000J000	0 Ω
20	C8089	T8H	ERC02000J000	0 Ω
21	C8106	T9H	ERC02000J000	0 Ω
22	R8119	T15K	ERC02000J000	0 Ω
23	R8126	B7B	ERC02000J000	0 Ω
24	R1022	T6D	ERC03000J000	0 Ω
25	R1026	B7C	ERC03000J000	0 Ω
26	R5147	T4B	ERC03000J000	0 Ω
27	R5148	T4A	ERC03000J000	0 Ω
28	L6015	B14H	ERC03000J000	0 Ω
29	L7019	T8J	ERC03000J000	0 Ω
30	L7040	B9J	ERC03000J000	0 Ω
31	R3117	B2E	ERC05000J000	0 Ω
32	L8017	T9G	ERC05000J000	0 Ω
33	R8121	B8C	ERC0615CF000	0.015 Ω
34	R8122	B8B	ERC0615CF000	0.015 Ω
35	R8123	B8B	ERC0615CF000	0.015 Ω

No.	Ref. No.	Print No.	Part No.	Description
36	R5057	B5B	ERC2550BF000	0.5 Ω
37	R8048	T9G	ERC0624AF000	2.4 Ω
38	C2041	T6I	ERC0233AF000	3.3 Ω
39	R6075	B12H	ERC0247AJ000	4.7 Ω
40	R4038	T2D	ERC0256AF000	5.6 Ω
41	R1021	B7C	ERC03100J000	10 Ω
42	R1036	T3D	ERC03100J000	10 Ω
43	R8047	T10H	ERC03100J000	10 Ω
44	R8051	T10H	ERC03100J000	10 Ω
45	R8054	T10H	ERC03100J000	10 Ω
46	R8056	T10H	ERC03100J000	10 Ω
47	R2013	B3I	ERC02100J000	10 Ω
48	R2016	B3I	ERC02100J000	10 Ω
49	R6074	T12K	ERC02100J000	10 Ω
50	R6080	T12K	ERC02100J000	10 Ω
51	R7012	T8J	ERC02100J000	10 Ω
52	R7022	T8J	ERC02100J000	10 Ω
53	R7042	T9J	ERC02100J000	10 Ω
54	R7044	T10K	ERC02100J000	10 Ω
55	R8049	T9D	ERC06100J000	10 Ω
56	R6070	B11J	ERC02180J000	18 Ω
57	R6077	T12J	ERC02220J000	22 Ω
58	R8053	T8H	ERC02300J000	30 Ω
59	R1003	T7E	ERC02330J000	33 Ω
60	R1035	T3D	ERC02330J000	33 Ω
61	R1058	B2J	ERC02330J000	33 Ω
62	R2011	B3I	ERC02330J000	33 Ω
63	R2012	T2J	ERC02330J000	33 Ω
64	R2014	T4J	ERC02330J000	33 Ω
65	R2015	T4J	ERC02330J000	33 Ω
66	R2017	B3J	ERC02330J000	33 Ω
67	R2037	B4I	ERC02330J000	33 Ω
68	R2038	B5J	ERC02330J000	33 Ω
69	R2039	T4I	ERC02330J000	33 Ω
70	R2041	T3H	ERC02330J000	33 Ω
71	R2042	T4H	ERC02330J000	33 Ω
72	R2043	T4I	ERC02330J000	33 Ω
73	R2044	T4J	ERC02330J000	33 Ω

No.	Ref. No.	Print No.	Part No.	Description
74	R2045	B4J	ERC02330J000	33 Ω
75	R2046	T4J	ERC02330J000	33 Ω
76	R2047	T4H	ERC02330J000	33 Ω
77	R2048	T4H	ERC02330J000	33 Ω
78	R2049	B4I	ERC02330J000	33 Ω
79	R2050	T3J	ERC02330J000	33 Ω
80	R2051	T4J	ERC02330J000	33 Ω
81	R2052	T4H	ERC02330J000	33 Ω
82	R2053	T4I	ERC02330J000	33 Ω
83	R2054	T3J	ERC02330J000	33 Ω
84	R2055	T4I	ERC02330J000	33 Ω
85	R2056	T4I	ERC02330J000	33 Ω
86	R2057	T4H	ERC02330J000	33 Ω
87	R2058	T4H	ERC02330J000	33 Ω
88	R2059	T4J	ERC02330J000	33 Ω
89	R2060	T4H	ERC02330J000	33 Ω
90	R2061	T4J	ERC02330J000	33 Ω
91	R2068	T4K	ERC02330J000	33 Ω
92	R2069	T4K	ERC02330J000	33 Ω
93	R2070	T4K	ERC02330J000	33 Ω
94	R2072	T4K	ERC02330J000	33 Ω
95	R2074	T5K	ERC02330J000	33 Ω
96	R2075	T5K	ERC02330J000	33 Ω
97	R2076	T4K	ERC02330J000	33 Ω
98	R2077	T5K	ERC02330J000	33 Ω
99	R2078	T5K	ERC02330J000	33 Ω
100	R2079	T5K	ERC02330J000	33 Ω
101	R2087	B3J	ERC02330J000	33 Ω
102	R2088	B3J	ERC02330J000	33 Ω
103	R2090	T2J	ERC02330J000	33 Ω
104	R2093	T2J	ERC02330J000	33 Ω
105	R2095	T2J	ERC02330J000	33 Ω
106	R2100	B3J	ERC02330J000	33 Ω
107	R3001	T3G	ERC02330J000	33 Ω
108	R3006	B6H	ERC02330J000	33 Ω
109	R3007	B6H	ERC02330J000	33 Ω
110	R3008	B6H	ERC02330J000	33 Ω
111	R3009	B6H	ERC02330J000	33 Ω



No.	Ref. No.	Print No.	Part No.	Description
112	R3010	B6H	ERC02330J000	33 Ω
113	R3014	B5F	ERC02330J000	33 Ω
114	R3024	B4G	ERC02330J000	33 Ω
115	R3030	B3G	ERC02330J000	33 Ω
116	R3038	B4G	ERC02330J000	33 Ω
117	R3039	B3G	ERC02330J000	33 Ω
118	R3054	B4I	ERC02330J000	33 Ω
119	R3056	B4I	ERC02330J000	33 Ω
120	R3057	B4I	ERC02330J000	33 Ω
121	R3089	T2H	ERC02330J000	33 Ω
122	R3102	T3G	ERC02330J000	33 Ω
123	R3103	T3G	ERC02330J000	33 Ω
124	R4032	T1D	ERC02330J000	33 Ω
125	R4033	T1D	ERC02330J000	33 Ω
126	R4035	T1D	ERC02330J000	33 Ω
127	R4036	T2K	ERC02330J000	33 Ω
128	R5000	B3E	ERC02330J000	33 Ω
129	R5004	B4F	ERC02330J000	33 Ω
130	R5005	B2E	ERC02330J000	33 Ω
131	R5006	B2E	ERC02330J000	33 Ω
132	R5008	B2E	ERC02330J000	33 Ω
133	R5013	B2D	ERC02330J000	33 Ω
134	R5015	B2D	ERC02330J000	33 Ω
135	R5018	B6D	ERC02330J000	33 Ω
136	R5022	B3H	ERC02330J000	33 Ω
137	R5023	B3H	ERC02330J000	33 Ω
138	R5025	B3H	ERC02330J000	33 Ω
139	R5026	B3H	ERC02330J000	33 Ω
140	R5027	B4H	ERC02330J000	33 Ω
141	R5028	B2H	ERC02330J000	33 Ω
142	R5029	B3H	ERC02330J000	33 Ω
143	R5030	B3H	ERC02330J000	33 Ω
144	R5031	B4E	ERC02330J000	33 Ω
145	R5034	B4H	ERC02330J000	33 Ω
146	R5036	B4H	ERC02330J000	33 Ω
147	R5037	B4H	ERC02330J000	33 Ω
148	R5038	B4D	ERC02330J000	33 Ω
149	R5039	B4H	ERC02330J000	33 Ω

No.	Ref. No.	Print No.	Part No.	Description
150	R5048	B4D	ERC02330J000	33 Ω
151	R5059	B4D	ERC02330J000	33 Ω
152	R5060	B5I	ERC02330J000	33 Ω
153	R5061	B5I	ERC02330J000	33 Ω
154	R5063	B5I	ERC02330J000	33 Ω
155	R5064	B4J	ERC02330J000	33 Ω
156	R5066	B5I	ERC02330J000	33 Ω
157	R5073	B3D	ERC02330J000	33 Ω
158	R5076	B2J	ERC02330J000	33 Ω
159	R5079	B3D	ERC02330J000	33 Ω
160	R5080	B6D	ERC02330J000	33 Ω
161	R5088	B5J	ERC02330J000	33 Ω
162	R5089	B3E	ERC02330J000	33 Ω
163	R5091	B5I	ERC02330J000	33 Ω
164	R5092	B3D	ERC02330J000	33 Ω
165	R5094	B5I	ERC02330J000	33 Ω
166	R5101	T3B	ERC02330J000	33 Ω
167	R5102	T3B	ERC02330J000	33 Ω
168	R5104	T4B	ERC02330J000	33 Ω
169	R5105	T4B	ERC02330J000	33 Ω
170	R5106	T4B	ERC02330J000	33 Ω
171	R5111	T3B	ERC02330J000	33 Ω
172	R5112	T4B	ERC02330J000	33 Ω
173	R5113	T5A	ERC02330J000	33 Ω
174	R5115	T2A	ERC02330J000	33 Ω
175	R5116	T2A	ERC02330J000	33 Ω
176	C2042	T6I	ECC15102K000	1000 pF
177	C2060	T1I	ECC15102K000	1000 pF
178	C2161	T7I	ECC15102K000	1000 pF
179	C4000	B6I	ECC15102K000	1000 pF
180	C4005	B6J	ECC15102K000	1000 pF
181	C4024	T9J	ECC15102K000	1000 pF
182	C4053	T10J	ECC15102K000	1000 pF
183	C4057	T10J	ECC15102K000	1000 pF
184	C6082	B14H	ECC15102K000	1000 pF
185	C7066	B10I	ECC15102K000	1000 pF
186	C7101	T10J	ECC15102K000	1000 pF
187	C7110	T10J	ECC15102K000	1000 pF

No.	Ref. No.	Print No.	Part No.	Description
188	C7111	T9J	ECC15102K000	1000 pF
189	C7112	T9K	ECC15102K000	1000 pF
190	C7116	T9J	ECC15102K000	1000 pF
191	C8136	B8G	ECC15102K000	1000 pF
192	C8137	B8G	ECC15102K000	1000 pF
193	C8138	B8F	ECC15102K000	1000 pF
194	C8054	T10G	ECC18102K000	1000 pF
195	C8056	T9G	ECC18102K000	1000 pF
196	C8080	T10G	ECC18102K000	1000 pF
197	R1010	T7G	ERC02104F000	100 kΩ
198	R2018	T6J	ERC02104F000	100 kΩ
199	R2019	T6J	ERC02104F000	100 kΩ
200	R2020	T6K	ERC02104F000	100 kΩ
201	R3016	B5G	ERC02104F000	100 kΩ
202	R3021	B5F	ERC02104F000	100 kΩ
203	R3026	B3G	ERC02104F000	100 kΩ
204	R3028	B4G	ERC02104F000	100 kΩ
205	R3032	B4G	ERC02104F000	100 kΩ
206	R3036	B3G	ERC02104F000	100 kΩ
207	R3040	B4G	ERC02104F000	100 kΩ
208	R3043	B4G	ERC02104F000	100 kΩ
209	R3064	T5G	ERC02104F000	100 kΩ
210	R3067	T3H	ERC02104F000	100 kΩ
211	R3069	T5G	ERC02104F000	100 kΩ
212	R3093	T3G	ERC02104F000	100 kΩ
213	R3095	T1F	ERC02104F000	100 kΩ
214	R4000	B7I	ERC02104F000	100 kΩ
215	R4004	B7I	ERC02104F000	100 kΩ
216	C5033	T4B	ECC15101J000	100 pF
217	C5034	T4B	ECC15101J000	100 pF
218	C5035	T4B	ECC15101J000	100 pF
219	C5036	T3B	ECC15101J000	100 pF
220	C5037	T3B	ECC15101J000	100 pF
221	C5044	B7K	ECC15101J000	100 pF
222	C5045	B6K	ECC15101J000	100 pF
223	C5046	B6K	ECC15101J000	100 pF
224	C5047	B4K	ECC15101J000	100 pF
225	C5048	B5K	ECC15101J000	100 pF

No.	Ref. No.	Print No.	Part No.	Description
226	C5049	B4K	ECC15101J000	100 pF
227	C5050	B5K	ECC15101J000	100 pF
228	C5051	B6K	ECC15101J000	100 pF
229	C5055	T6J	ECC15101J000	100 pF
230	C5056	T5J	ECC15101J000	100 pF
231	C5057	T5K	ECC15101J000	100 pF
232	C5058	T5J	ECC15101J000	100 pF
233	C5059	B6K	ECC15101J000	100 pF
234	C5064	B5I	ECC15101J000	100 pF
235	C5066	B5I	ECC15101J000	100 pF
236	C5069	B3B	ECC15101J000	100 pF
237	C6012	B14F	ECC15101J000	100 pF
238	C6034	B13G	ECC15101J000	100 pF
239	C6116	B15J	ECC15101J000	100 pF
240	C6117	B15J	ECC15101J000	100 pF
241	C6136	B15J	ECC15101J000	100 pF
242	C6137	B15K	ECC15101J000	100 pF
243	C6194	B10I	ECC15101J000	100 pF
244	C7024	B8I	ECC15101J000	100 pF
245	C7079	T11K	ECC15101J000	100 pF
246	C7085	B10K	ECC15101J000	100 pF
247	C7091	T9J	ECC15101J000	100 pF
248	C7096	B9K	ECC15101J000	100 pF
249	C7099	T10K	ECC15101J000	100 pF
250	C7105	T10J	ECC15101J000	100 pF
251	C7106	T10J	ECC15101J000	100 pF
252	C8189	B8B	ECC15101J000	100 pF
253	R1029	T5C	ERC02103F000	10 kΩ
254	R1045	T4C	ERC02103F000	10 kΩ
255	R1050	T4C	ERC02103F000	10 kΩ
256	R1052	T5C	ERC02103F000	10 kΩ
257	R1054	T4C	ERC02103F000	10 kΩ
258	R1056	T5C	ERC02103F000	10 kΩ
259	R2003	B2I	ERC02103F000	10 kΩ
260	R2009	T3J	ERC02103F000	10 kΩ
261	R3017	B5I	ERC02103F000	10 kΩ
262	R3020	B5I	ERC02103F000	10 kΩ
263	R3034	B4H	ERC02103F000	10 kΩ

No.	Ref. No.	Print No.	Part No.	Description
264	R3044	B4H	ERC02103F000	10 kΩ
265	R3045	B4H	ERC02103F000	10 kΩ
266	R3049	B4H	ERC02103F000	10 kΩ
267	R3055	B4H	ERC02103F000	10 kΩ
268	R3058	B4H	ERC02103F000	10 kΩ
269	R3060	B4H	ERC02103F000	10 kΩ
270	R3061	T4F	ERC02103F000	10 kΩ
271	R3062	T4F	ERC02103F000	10 kΩ
272	R3065	T3H	ERC02103F000	10 kΩ
273	R3068	T3H	ERC02103F000	10 kΩ
274	R3076	T5G	ERC02103F000	10 kΩ
275	R3077	T5G	ERC02103F000	10 kΩ
276	R3078	T5G	ERC02103F000	10 kΩ
277	R3094	T1F	ERC02103F000	10 kΩ
278	R4002	B6J	ERC02103F000	10 kΩ
279	R4003	B6J	ERC02103F000	10 kΩ
280	R4019	B6I	ERC02103F000	10 kΩ
281	R4021	B6I	ERC02103F000	10 kΩ
282	R4069	T11J	ERC02103F000	10 kΩ
283	R4070	T2K	ERC02103F000	10 kΩ
284	R4071	T2J	ERC02103F000	10 kΩ
285	R5003	B2D	ERC02103F000	10 kΩ
286	R5011	B2D	ERC02103F000	10 kΩ
287	R5012	B2D	ERC02103F000	10 kΩ
288	R5020	B4D	ERC02103F000	10 kΩ
289	R5033	B2H	ERC02103F000	10 kΩ
290	R5035	B3H	ERC02103F000	10 kΩ
291	R5042	B5B	ERC02103F000	10 kΩ
292	R5045	B4D	ERC02103F000	10 kΩ
293	R5053	B5B	ERC02103F000	10 kΩ
294	R5062	B5I	ERC02103F000	10 kΩ
295	R5069	B3D	ERC02103F000	10 kΩ
296	R5083	B3D	ERC02103F000	10 kΩ
297	R5093	T1B	ERC02103F000	10 kΩ
298	C1024	T6G	ECC15100G000	10 pF
299	C3075	T4G	ECC15100G000	10 pF
300	C3087	T4G	ECC15100G000	10 pF
301	C4112	T2B	ECC15100G000	10 pF

No.	Ref. No.	Print No.	Part No.	Description
302	C6061	B13H	ECC15100G000	10 pF
303	C6086	B15H	ECC15100G000	10 pF
304	C6155	B10K	ECC15100G000	10 pF
305	C6193	T12J	ECC15100G000	10 pF
306	C6199	T12K	ECC15100G000	10 pF
307	C6200	T12K	ECC15100G000	10 pF
308	C6212	T12I	ECC15100G000	10 pF
309	C7051	T8J	ECC15100G000	10 pF
310	C7056	T8J	ECC15100G000	10 pF
311	C7077	B10K	ECC15100G000	10 pF
312	C7089	B9K	ECC15100G000	10 pF
313	L4007	T2K	ECC18100J000	10 pF
314	C4001	B6I	ECC21106K000	10 μF
315	C7102	T9K	ECC21106K000	10 μF
316	C8044	B10H	ECC31106K000	10 μF
317	C3114	B3E	ECC31106K001	10 μF
318	L6030	B15I	ELL00103J000	10 μH
319	L6031	B15J	ELL00103J000	10 μH
320	L8027	B12A	ELH001110000	111 nH
321	R8023	T14G	ERC02113J000	11 kΩ
322	L6062	B10J	ELH00125A000	12.5 nH
323	L8016	T8H	ELW18121J000	120 nH
324	C3050	B3G	ECC15121J000	120 pF
325	C8064	T9G	ECC18121J000	120 pF
326	C8114	T9H	ELW18120J000	12 nH
327	L6065	T12J	ELW18120J000	12 nH
328	L6066	T12J	ELW18120J000	12 nH
329	C6035	B14G	ECC15120J000	12 pF
330	C6097	B15I	ECC15120J000	12 pF
331	C8105	T9H	ECC15120J000	12 pF
332	L8032	T9H	ECC18120J000	12 pF
333	C8074	T10G	ECC18120J000	12 pF
334	C8140	T9D	ECC22120J000	12 pF
335	C8141	T10D	ECC22120J000	12 pF
336	L6061	B10I	ELH00140G000	14 nH
337	C6032	B13F	ECC15140J000	14 pF
338	C2002	B3I	ECC15152K000	1500 pF
339	C2006	B3I	ECC15152K000	1500 pF

No.	Ref. No.	Print No.	Part No.	Description
340	C2010	B3I	ECC15152K000	1500 pF
341	C2014	B3I	ECC15152K000	1500 pF
342	C2018	B3I	ECC15152K000	1500 pF
343	C2022	B3I	ECC15152K000	1500 pF
344	C2026	B3I	ECC15152K000	1500 pF
345	C2030	B3I	ECC15152K000	1500 pF
346	C8016	T14G	ECC15152K000	1500 pF
347	R7005	B9J	ERC02154F000	150 kΩ
348	L6007	B14F	ELW18151G001	150 nH
349	L8030	T9H	ELW18151G001	150 nH
350	C8086	T10H	ECC15151J000	150 pF
351	C8063	T9G	ECC18151J000	150 pF
352	C8065	T10G	ECC18151J000	150 pF
353	C8069	T10H	ECC18151J000	150 pF
354	C8113	T9H	ECC18151J000	150 pF
355	R1040	T5B	ERC02153F000	15 kΩ
356	R3027	B5I	ERC02153F000	15 kΩ
357	R5040	B6B	ERC02153F000	15 kΩ
358	R6067	T12J	ERC02153F000	15 kΩ
359	R6068	T12K	ERC02153F000	15 kΩ
360	R7018	T8J	ERC02153F000	15 kΩ
361	R8022	T14G	ERC02153F000	15 kΩ
362	R8146	T14G	ERC02153F000	15 kΩ
363	L6004	B13J	ELW18150G000	15 nH
364	L6005	B13J	ELW18150G000	15 nH
365	L6006	B13I	ELW18150G000	15 nH
366	L7018	T8J	ELW18150G000	15 nH
367	L8020	T14D	ELW18150G000	15 nH
368	C4079	T2K	ECC15150J000	15 pF
369	C8121	T15D	ECC15150J000	15 pF
370	C8131	T14B	ECC15150J000	15 pF
371	C8047	T9G	ECC18150J000	15 pF
372	C8058	T9G	ECC18150J000	15 pF
373	C8076	T10G	ECC18150J000	15 pF
374	C8081	T10G	ECC18150J000	15 pF
375	C8142	T10B	ECC22150J000	15 pF
376	R1009	T6G	ERC02163F000	16 kΩ
377	R3072	T3H	ERC02163F000	16 kΩ

No.	Ref. No.	Print No.	Part No.	Description
378	R5010	B4F	ERC02163F000	16 kΩ
379	R5014	B2C	ERC02163F000	16 kΩ
380	R5021	B6D	ERC02163F000	16 kΩ
381	R5032	B4D	ERC02163F000	16 kΩ
382	R5051	B4D	ERC02163F000	16 kΩ
383	R5068	B4J	ERC02163F000	16 kΩ
384	R5074	B4D	ERC02163F000	16 kΩ
385	R5081	B2J	ERC02163F000	16 kΩ
386	R5082	B6D	ERC02163F000	16 kΩ
387	R5090	B4D	ERC02163F000	16 kΩ
388	R5153	B5D	ERC02163F000	16 kΩ
389	L8024	T12C	ELH00160K000	16 nH
390	L8025	T13D	ELH00160K000	16 nH
391	L8026	T12E	ELH00160K000	16 nH
392	L8029	T13A	ELH00160K000	16 nH
393	C7072	T8I	ECC15160J000	16 pF
394	C7082	B10K	ECC15160J000	16 pF
395	C7022	B9J	ECC18160J000	16 pF
396	C7030	B10J	ECC18160J000	16 pF
397	L6012	B15F	ELH00170Z000	17 nH
398	L6018	B12G	ELH00170Z000	17 nH
399	L6020	B15G	ELH00170Z000	17 nH
400	L6023	B12F	ELH00170Z000	17 nH
401	L7007	B9I	ELH00170Z000	17 nH
402	C7009	B9I	ECC15182J001	1800 pF
403	R1043	T4B	ERC02184J000	180 kΩ
404	R1046	T4B	ERC02184J000	180 kΩ
405	R3015	B5F	ERC02183F000	18 kΩ
406	R3025	B4G	ERC02183F000	18 kΩ
407	R3033	B4G	ERC02183F000	18 kΩ
408	R8018	T13G	ERC02183F000	18 kΩ
409	R8087	B9F	ERC02183F000	18 kΩ
410	R8097	T14G	ERC02183F000	18 kΩ
411	L7032	B9K	ELW18180J000	18 nH
412	C6033	B14G	ECC15180J000	18 pF
413	C7094	B9K	ECC15180J000	18 pF
414	C7095	B9K	ECC15180J000	18 pF
415	C8072	T11G	ECC18180J000	18 pF



No.	Ref. No.	Print No.	Part No.	Description
416	C8073	T10G	ECC18180J000	18 pF
417	R1017	T11F	ERC02102J000	1 kΩ
418	R1031	T5D	ERC02102J000	1 kΩ
419	R1034	T4D	ERC02102J000	1 kΩ
420	R1041	T4B	ERC02102J000	1 kΩ
421	R2094	T3H	ERC02102J000	1 kΩ
422	R3070	T3G	ERC02102J000	1 kΩ
423	R3079	T3G	ERC02102J000	1 kΩ
424	R3080	T3G	ERC02102J000	1 kΩ
425	R3097	T3G	ERC02102J000	1 kΩ
426	R4006	B6J	ERC02102J000	1 kΩ
427	R4009	B7J	ERC02102J000	1 kΩ
428	R4013	B7J	ERC02102J000	1 kΩ
429	R4031	T1D	ERC02102J000	1 kΩ
430	R5007	B4F	ERC02102J000	1 kΩ
431	R5110	T3B	ERC02102J000	1 kΩ
432	R5121	T4A	ERC02102J000	1 kΩ
433	R7000	B8J	ERC02102J000	1 kΩ
434	R7009	T8J	ERC02102J000	1 kΩ
435	R7010	T8J	ERC02102J000	1 kΩ
436	R7036	B10J	ERC02102J000	1 kΩ
437	R7039	B9K	ERC02102J000	1 kΩ
438	R8002	T13G	ERC02102J000	1 kΩ
439	R8025	T14F	ERC02102J000	1 kΩ
440	R8090	B8F	ERC02102J000	1 kΩ
441	R1008	T6H	ERC02105F000	1 MΩ
442	R3063	T4G	ERC02105F000	1 MΩ
443	R8128	T13G	ERC02105F000	1 MΩ
444	R8141	T13F	ERC02105F000	1 MΩ
445	C7016	B9J	ECC1810AB000	1 pF
446	C7086	B9K	ECC1510AB000	1 pF
447	C8092	T13C	ECC2210AC000	1 pF
448	D1003	T6C	EDSS01030000	Switching diode
449	D4000	T1D	EDSS03040001	Switching diode
450	D7016	T10K	EDSS03040001	Switching diode
451	D7000	B9J	EDVS01010000	Varactor diode
452	D6008	B14K	EDVS01010001	Varactor diode
453	D6014	B10I	EDVS01010001	Varactor diode

No.	Ref. No.	Print No.	Part No.	Description
454	D6016	B10I	EDVS01010001	Varactor diode
455	D7001	B9I	EDVS01010001	Varactor diode
456	D7004	B9I	EDVS01010001	Varactor diode
457	D6001	B14G	EDVS01010004	Varactor diode
458	D6003	B14F	EDVS01010004	Varactor diode
459	D6004	B14F	EDVS01010004	Varactor diode
460	D6018	B12F	EDVS01010004	Varactor diode
461	D6019	B12G	EDVS01010004	Varactor diode
462	D6020	B12F	EDVS01010004	Varactor diode
463	D6021	B12F	EDVS01010004	Varactor diode
464	D6022	B14G	EDVS01010004	Varactor diode
465	D6007	T14I	EDVS01010002	Varactor diode
466	D6023	B14F	EDVS01010002	Varactor diode
467	C1022	T6G	ECC15105K000	1 $\mu$ F
468	C1036	T5H	ECC15105K000	1 $\mu$ F
469	C1050	T5G	ECC15105K000	1 $\mu$ F
470	C1070	T6F	ECC15105K000	1 $\mu$ F
471	C1078	T1J	ECC15105K000	1 $\mu$ F
472	C1087	T4F	ECC15105K000	1 $\mu$ F
473	C1098	T3D	ECC15105K000	1 $\mu$ F
474	C1103	T12H	ECC15105K000	1 $\mu$ F
475	C1110	T12H	ECC15105K000	1 $\mu$ F
476	C2033	T7I	ECC15105K000	1 $\mu$ F
477	C2038	B2I	ECC15105K000	1 $\mu$ F
478	C2039	B2I	ECC15105K000	1 $\mu$ F
479	C2047	B2I	ECC15105K000	1 $\mu$ F
480	C2057	T1I	ECC15105K000	1 $\mu$ F
481	C2062	B3I	ECC15105K000	1 $\mu$ F
482	C2066	T5J	ECC15105K000	1 $\mu$ F
483	C2153	B1H	ECC15105K000	1 $\mu$ F
484	C3048	B4H	ECC15105K000	1 $\mu$ F
485	C3049	B5H	ECC15105K000	1 $\mu$ F
486	C3063	B5H	ECC15105K000	1 $\mu$ F
487	C3068	B5H	ECC15105K000	1 $\mu$ F
488	C3073	B5H	ECC15105K000	1 $\mu$ F
489	C3077	T3H	ECC15105K000	1 $\mu$ F
490	C3078	T3H	ECC15105K000	1 $\mu$ F
491	C3079	T3H	ECC15105K000	1 $\mu$ F

No.	Ref. No.	Print No.	Part No.	Description
492	C3080	T3H	ECC15105K000	1 $\mu$ F
493	C3088	T3G	ECC15105K000	1 $\mu$ F
494	C3097	T3H	ECC15105K000	1 $\mu$ F
495	C3106	T3H	ECC15105K000	1 $\mu$ F
496	C3108	T3H	ECC15105K000	1 $\mu$ F
497	C4002	B7I	ECC15105K000	1 $\mu$ F
498	C4018	B6I	ECC15105K000	1 $\mu$ F
499	C4021	T10J	ECC15105K000	1 $\mu$ F
500	C5008	B5B	ECC15105K000	1 $\mu$ F
501	C5052	T3D	ECC15105K000	1 $\mu$ F
502	C6009	B12F	ECC15105K000	1 $\mu$ F
503	C6114	T14H	ECC15105K000	1 $\mu$ F
504	C6180	T11J	ECC15105K000	1 $\mu$ F
505	C6181	T12J	ECC15105K000	1 $\mu$ F
506	C6182	T12J	ECC15105K000	1 $\mu$ F
507	C6185	T12J	ECC15105K000	1 $\mu$ F
508	C1052	T12H	ECC18105K000	1 $\mu$ F
509	C1059	T12G	ECC18105K000	1 $\mu$ F
510	C1079	T3F	ECC18105K000	1 $\mu$ F
511	C3003	T2F	ECC18105K000	1 $\mu$ F
512	C3008	B6G	ECC18105K000	1 $\mu$ F
513	C3020	T2G	ECC18105K000	1 $\mu$ F
514	C3026	B4F	ECC18105K000	1 $\mu$ F
515	C3027	B5H	ECC18105K000	1 $\mu$ F
516	C3029	B5F	ECC18105K000	1 $\mu$ F
517	C3040	B4G	ECC18105K000	1 $\mu$ F
518	C1067	T6G	ECC18225K000	2.2 $\mu$ F
519	C1073	T4E	ECC18225K000	2.2 $\mu$ F
520	C1082	T2J	ECC18225K000	2.2 $\mu$ F
521	C1090	T2D	ECC18225K000	2.2 $\mu$ F
522	C1094	T4F	ECC18225K000	2.2 $\mu$ F
523	C1106	T12H	ECC18225K000	2.2 $\mu$ F
524	C1113	T12I	ECC18225K000	2.2 $\mu$ F
525	C3022	B5H	ECC18225K000	2.2 $\mu$ F
526	C3034	B5I	ECC18225K000	2.2 $\mu$ F
527	C3081	T3G	ECC18225K000	2.2 $\mu$ F
528	C3082	T3G	ECC18225K000	2.2 $\mu$ F
529	C3101	T5G	ECC18225K000	2.2 $\mu$ F

No.	Ref. No.	Print No.	Part No.	Description
530	C4062	T2D	ECC18225K000	2.2 $\mu$ F
531	C4073	T2J	ECC18225K000	2.2 $\mu$ F
532	C4075	T2K	ECC18225K000	2.2 $\mu$ F
533	C4097	B3C	ECC18225K000	2.2 $\mu$ F
534	C4106	T2D	ECC18225K000	2.2 $\mu$ F
535	C5060	B6K	ECC18225K000	2.2 $\mu$ F
536	C6138	B13K	ECC18225K000	2.2 $\mu$ F
537	C7007	B9I	ECC18225K000	2.2 $\mu$ F
538	C7120	B8I	ECC18225K000	2.2 $\mu$ F
539	C7125	T9K	ECC18225K000	2.2 $\mu$ F
540	C8034	T13H	ECC18225K000	2.2 $\mu$ F
541	C5010	B5B	ECC21225K000	2.2 $\mu$ F
542	R3035	B4H	ERC02242J000	2.4 k $\Omega$
543	R8012	T13G	ERC02242J000	2.4 k $\Omega$
544	C4067	T2C	ECC1525AB000	2.5 pF
545	R1028	T6D	ERZ022741F00	2.74 k $\Omega$
546	R3104	T3G	ERZ022741F00	2.74 k $\Omega$
547	R3105	T3F	ERZ022741F00	2.74 k $\Omega$
548	R3106	T3G	ERZ022741F00	2.74 k $\Omega$
549	R3107	T3F	ERZ022741F00	2.74 k $\Omega$
550	R5054	B5B	ERZ022741F00	2.74 k $\Omega$
551	R5103	B2B	ERZ022741F00	2.74 k $\Omega$
552	R6003	B12J	ERZ022741F00	2.74 k $\Omega$
553	R6022	B13F	ERZ022741F00	2.74 k $\Omega$
554	R6049	B14K	ERZ022741F00	2.74 k $\Omega$
555	R7049	B8I	ERZ022741F00	2.74 k $\Omega$
556	C8107	T12B	ECC2227AC000	2.7 pF
557	R1044	T4C	ERC02203F000	20 k $\Omega$
558	R1053	T4D	ERC02203F000	20 k $\Omega$
559	R1057	T4C	ERC02203F000	20 k $\Omega$
560	R3013	B6G	ERC02203F000	20 k $\Omega$
561	R3018	B5G	ERC02203F000	20 k $\Omega$
562	R5058	B5B	ERC02203F000	20 k $\Omega$
563	R6029	B14H	ERC02203F000	20 k $\Omega$
564	R8037	T13F	ERC02203F000	20 k $\Omega$
565	C2046	T3J	ECC15200J000	20 pF
566	C2048	T3J	ECC15200J000	20 pF
567	C2054	B3J	ECC15200J000	20 pF

No.	Ref. No.	Print No.	Part No.	Description
568	C2055	B3J	ECC15200J000	20 pF
569	C2091	B3J	ECC15221J000	220 pF
570	C2095	B3I	ECC15221J000	220 pF
571	C2096	T4J	ECC15221J000	220 pF
572	C2097	T4J	ECC15221J000	220 pF
573	C2098	T4H	ECC15221J000	220 pF
574	C2099	T4I	ECC15221J000	220 pF
575	C2100	T4I	ECC15221J000	220 pF
576	C2101	T4H	ECC15221J000	220 pF
577	C2104	T3H	ECC15221J000	220 pF
578	C2105	B3I	ECC15221J000	220 pF
579	C2106	T3H	ECC15221J000	220 pF
580	C2107	T3H	ECC15221J000	220 pF
581	C2108	T3H	ECC15221J000	220 pF
582	C2113	T4I	ECC15221J000	220 pF
583	C2114	T3H	ECC15221J000	220 pF
584	C2115	T3H	ECC15221J000	220 pF
585	C2116	B3I	ECC15221J000	220 pF
586	C2117	T4H	ECC15221J000	220 pF
587	C2120	B3I	ECC15221J000	220 pF
588	C2129	B3I	ECC15221J000	220 pF
589	C2130	B4I	ECC15221J000	220 pF
590	C2131	B3I	ECC15221J000	220 pF
591	C2132	B3I	ECC15221J000	220 pF
592	C2133	B3J	ECC15221J000	220 pF
593	C2134	B2J	ECC15221J000	220 pF
594	C2135	T2I	ECC15221J000	220 pF
595	C2136	B3I	ECC15221J000	220 pF
596	C2137	B3J	ECC15221J000	220 pF
597	C2138	T2I	ECC15221J000	220 pF
598	C2139	B2J	ECC15221J000	220 pF
599	C2141	B3I	ECC15221J000	220 pF
600	C2142	T2H	ECC15221J000	220 pF
601	C2143	T2H	ECC15221J000	220 pF
602	C2144	T2I	ECC15221J000	220 pF
603	C2145	T2H	ECC15221J000	220 pF
604	C2146	T2H	ECC15221J000	220 pF
605	C2147	T2H	ECC15221J000	220 pF

No.	Ref. No.	Print No.	Part No.	Description
606	C2148	T2H	ECC15221J000	220 pF
607	C2149	T3H	ECC15221J000	220 pF
608	C2150	T3J	ECC15221J000	220 pF
609	C2151	B3I	ECC15221J000	220 pF
610	C2152	B3J	ECC15221J000	220 pF
611	C2159	T4K	ECC15221J000	220 pF
612	C3001	T2F	ECC15221J000	220 pF
613	C3019	B6G	ECC15221J000	220 pF
614	C3023	T2G	ECC15221J000	220 pF
615	C3028	B5G	ECC15221J000	220 pF
616	C3054	B4G	ECC15221J000	220 pF
617	C5016	B2B	ECC15221J000	220 pF
618	C5020	T4A	ECC15221J000	220 pF
619	C5021	T3A	ECC15221J000	220 pF
620	C5022	T3A	ECC15221J000	220 pF
621	C5023	T2A	ECC15221J000	220 pF
622	C5024	T2A	ECC15221J000	220 pF
623	C5026	T5A	ECC15221J000	220 pF
624	C5027	T4B	ECC15221J000	220 pF
625	C5028	T3B	ECC15221J000	220 pF
626	C5029	T3B	ECC15221J000	220 pF
627	C5063	T3D	ECC15221J000	220 pF
628	C5067	B4K	ECC15221J000	220 pF
629	C5068	T5J	ECC15221J000	220 pF
630	C6000	B12K	ECC15221J000	220 pF
631	C6003	B13F	ECC15221J000	220 pF
632	C6004	B12J	ECC15221J000	220 pF
633	C6005	B13J	ECC15221J000	220 pF
634	C6010	B13F	ECC15221J000	220 pF
635	C6014	B13F	ECC15221J000	220 pF
636	C6019	B12J	ECC15221J000	220 pF
637	C6020	B12J	ECC15221J000	220 pF
638	C6022	B12J	ECC15221J000	220 pF
639	C6030	B13F	ECC15221J000	220 pF
640	C6068	B12F	ECC15221J000	220 pF
641	C6069	B14F	ECC15221J000	220 pF
642	C6071	B13G	ECC15221J000	220 pF
643	C6072	B15G	ECC15221J000	220 pF

No.	Ref. No.	Print No.	Part No.	Description
644	C6073	B14G	ECC15221J000	220 pF
645	C6085	B12F	ECC15221J000	220 pF
646	C6110	B15J	ECC15221J000	220 pF
647	C6154	B11K	ECC15221J000	220 pF
648	C6159	B11K	ECC15221J000	220 pF
649	C6189	T11J	ECC15221J000	220 pF
650	C6192	T12K	ECC15221J000	220 pF
651	C7003	B9I	ECC15221J000	220 pF
652	C7006	T9J	ECC15221J000	220 pF
653	C7012	T9J	ECC15221J000	220 pF
654	C7014	B9J	ECC15221J000	220 pF
655	C7020	B8K	ECC15221J000	220 pF
656	C7029	B8K	ECC15221J000	220 pF
657	C7031	T8J	ECC15221J000	220 pF
658	C7038	T8J	ECC15221J000	220 pF
659	C7044	T8J	ECC15221J000	220 pF
660	C7047	T8J	ECC15221J000	220 pF
661	C7050	T8J	ECC15221J000	220 pF
662	C7121	T9K	ECC15221J000	220 pF
663	C8000	T14F	ECC15221J000	220 pF
664	C8001	T15F	ECC15221J000	220 pF
665	C8002	T15F	ECC15221J000	220 pF
666	C8004	T14G	ECC15221J000	220 pF
667	C8005	T15F	ECC15221J000	220 pF
668	C8006	T15F	ECC15221J000	220 pF
669	C8008	T13G	ECC15221J000	220 pF
670	C8011	T14G	ECC15221J000	220 pF
671	C8014	T15G	ECC15221J000	220 pF
672	C8015	T15G	ECC15221J000	220 pF
673	C8020	T14G	ECC15221J000	220 pF
674	C8021	T14G	ECC15221J000	220 pF
675	C8023	T13F	ECC15221J000	220 pF
676	C8025	T14F	ECC15221J000	220 pF
677	C8028	T14F	ECC15221J000	220 pF
678	C8031	T13F	ECC15221J000	220 pF
679	C8045	B8G	ECC15221J000	220 pF
680	C8057	B8H	ECC15221J000	220 pF
681	C8059	B8G	ECC15221J000	220 pF

No.	Ref. No.	Print No.	Part No.	Description
682	C8087	B10H	ECC15221J000	220 pF
683	C8101	T9H	ECC15221J000	220 pF
684	C8103	T9H	ECC15221J000	220 pF
685	C8117	B12B	ECC15221J000	220 pF
686	C8119	B12B	ECC15221J000	220 pF
687	C8120	T15D	ECC15221J000	220 pF
688	C8122	T15C	ECC15221J000	220 pF
689	C8123	T15C	ECC15221J000	220 pF
690	C8124	T14F	ECC15221J000	220 pF
691	C8125	T14B	ECC15221J000	220 pF
692	C8128	B8H	ECC15221J000	220 pF
693	C8132	T14C	ECC15221J000	220 pF
694	C8133	T14C	ECC15221J000	220 pF
695	C8135	T12H	ECC15221J000	220 pF
696	C8139	B9G	ECC15221J000	220 pF
697	C8179	T14G	ECC15221J000	220 pF
698	C8188	T13G	ECC15221J000	220 pF
699	C8192	B10F	ECC15221J000	220 pF
700	C8039	B7B	ECC18221J000	220 pF
701	C8041	B10B	ECC18221J000	220 pF
702	C8046	B10G	ECC18221J000	220 pF
703	C8126	B10F	ECC18221J000	220 pF
704	C8127	B9F	ECC18221J000	220 pF
705	C1008	T5F	ECZ00227K000	220 μF
706	R1004	T7F	ERC02223F000	22 kΩ
707	R3022	B5G	ERC02223F000	22 kΩ
708	R3023	B5G	ERC02223F000	22 kΩ
709	R8035	T13F	ERC02223F000	22 kΩ
710	L8014	T10C	ELH00220Z000	22 nH
711	L7026	B10K	ELW18220J000	22 nH
712	C6013	B13J	ECC15220J000	22 pF
713	C6015	B12I	ECC15220J000	22 pF
714	C7068	T8J	ECC15220J000	22 pF
715	C6195	B10J	ECC18220J000	22 pF
716	C8053	T8F	ECC18220J000	22 pF
717	C8079	T11H	ECC18220J000	22 pF
718	C8084	T10F	ECC18220J000	22 pF
719	C1013	T4E	ECT31226K000	22 μF



No.	Ref. No.	Print No.	Part No.	Description
720	C1018	T6G	ECT31226K000	22 $\mu$ F
721	C1020	T6F	ECT31226K000	22 $\mu$ F
722	C1023	T7H	ECC31226M000	22 $\mu$ F
723	C1025	T7H	ECC31226M000	22 $\mu$ F
724	C1001	T6E	ECC32226K000	22 $\mu$ F
725	C1002	T6E	ECC32226K000	22 $\mu$ F
726	C1030	T12F	ECC32226K000	22 $\mu$ F
727	C1031	T12G	ECC32226K000	22 $\mu$ F
728	C1041	T6C	ECC32226K000	22 $\mu$ F
729	C1043	B6D	ECC32226K000	22 $\mu$ F
730	C1100	T5B	ECC32226K000	22 $\mu$ F
731	C3000	T3E	ECC32226K000	22 $\mu$ F
732	C3005	T2E	ECC32226K000	22 $\mu$ F
733	C3011	B5G	ECC32226K000	22 $\mu$ F
734	C3032	B5G	ECC32226K000	22 $\mu$ F
735	C3036	B4G	ECC32226K000	22 $\mu$ F
736	C3038	B4F	ECC32226K000	22 $\mu$ F
737	C6164	T12I	ECC15471J000	470 pF
738	C6172	T11J	ECC15471J000	470 pF
739	C6175	T12J	ECC15471J000	470 pF
740	C6177	B10K	ECC15471J000	470 pF
741	C6179	T11J	ECC15471J000	470 pF
742	C6184	B10J	ECC15471J000	470 pF
743	C6186	T12K	ECC15471J000	470 pF
744	C6219	B11K	ECC15471J000	470 pF
745	C6220	B11K	ECC15471J000	470 pF
746	C7039	B9K	ECC15471J000	470 pF
747	C7122	T9J	ECC15471J000	470 pF
748	C7123	T9J	ECC15471J000	470 pF
749	C8049	B8G	ECC15471J000	470 pF
750	C8070	T8H	ECC15471J000	470 pF
751	C8090	T8H	ECC15471J000	470 pF
752	C8091	T8H	ECC15471J000	470 pF
753	C8190	B8A	ECC15471J000	470 pF
754	C8052	T10D	ECC22471J000	470 pF
755	C8066	T11A	ECC22471J000	470 pF
756	C8095	T12B	ECC22471J000	470 pF
757	C8100	B13A	ECC22471J000	470 pF

No.	Ref. No.	Print No.	Part No.	Description
758	C8115	T11A	ECC22471J000	470 pF
759	R1013	T12F	ERC02473F000	47 kΩ
760	R1033	T5D	ERC02473F000	47 kΩ
761	R1047	T5B	ERC02473F000	47 kΩ
762	R2021	T6K	ERC02473F000	47 kΩ
763	R2022	T6K	ERC02473F000	47 kΩ
764	R2026	T2I	ERC02473F000	47 kΩ
765	R2027	T2I	ERC02473F000	47 kΩ
766	R2028	T2I	ERC02473F000	47 kΩ
767	R2029	T2I	ERC02473F000	47 kΩ
768	R2030	T2I	ERC02473F000	47 kΩ
769	R2031	T2H	ERC02473F000	47 kΩ
770	R2032	T2I	ERC02473F000	47 kΩ
771	R2033	B5I	ERC02473F000	47 kΩ
772	R2034	B4I	ERC02473F000	47 kΩ
773	R2035	B5I	ERC02473F000	47 kΩ
774	R2036	T4J	ERC02473F000	47 kΩ
775	R2081	T3J	ERC02473F000	47 kΩ
776	R3000	B6G	ERC02473F000	47 kΩ
777	R3004	T2F	ERC02473F000	47 kΩ
778	R3005	B6G	ERC02473F000	47 kΩ
779	R3012	T2G	ERC02473F000	47 kΩ
780	R3031	B5I	ERC02473F000	47 kΩ
781	R3053	B3G	ERC02473F000	47 kΩ
782	R3115	T2H	ERC02473F000	47 kΩ
783	R4034	T1D	ERC02473F000	47 kΩ
784	R5085	T3B	ERC02473F000	47 kΩ
785	R5087	T3B	ERC02473F000	47 kΩ
786	R6044	B14J	ERC02473F000	47 kΩ
787	R8039	B8G	ERC02473F000	47 kΩ
788	R8089	T13H	ERC02473F000	47 kΩ
789	R8138	T13G	ERC02473F000	47 kΩ
790	RT8001	B11F	ERH03473J000	47 kΩ
791	L8015	T10H	ELH00471Z000	47 nH
792	L6002	B14F	ELW18470J000	47 nH
793	C2082	T4H	ECC15470J000	47 pF
794	C2083	T4I	ECC15470J000	47 pF
795	C2094	T4H	ECC15470J000	47 pF

No.	Ref. No.	Print No.	Part No.	Description
796	C2102	T4H	ECC15470J000	47 pF
797	C2103	T4H	ECC15470J000	47 pF
798	C4059	T2D	ECC15470J000	47 pF
799	C4061	T2D	ECC15470J000	47 pF
800	C6074	B12H	ECC15470J000	47 pF
801	C6198	B10J	ECC15470J000	47 pF
802	C8109	T13B	ECC15470J000	47 pF
803	C6124	T14I	ECC18470J000	47 pF
804	C8062	T11C	ECC18470J000	47 pF
805	R8124	B7B	ERC02499AF00	49.9 Ω
806	R8125	B8B	ERC02499AF00	49.9 Ω
807	R4043	B4C	ERC05499AF00	49.9 Ω
808	R4044	B4C	ERC05499AF00	49.9 Ω
809	R4045	B4C	ERC05499AF00	49.9 Ω
810	R4046	B4C	ERC05499AF00	49.9 Ω
811	T6000	B12H	ELTBMHDKN000	Transformer
812	T6001	B12G	ELTBMHDKN000	Transformer
813	C6054	B12F	ECC1540AB000	4 pF
814	C6055	B12F	ECC1540AB000	4 pF
815	C6070	B12G	ECC1540AB000	4 pF
816	R6025	B14H	ERC02512J000	5.1 kΩ
817	C4082	T2K	ELW1551AJ000	5.1 nH
818	L6013	B13G	ELW1851AJ001	5.1 nH
819	L8031	T15B	ELW1851AJ001	5.1 nH
820	R6015	B13G	ERC02562J000	5.6 kΩ
821	R7037	T11K	ERC02562J000	5.6 kΩ
822	R7040	T9K	ERC02562J000	5.6 kΩ
823	R8000	T15F	ERC02562J000	5.6 kΩ
824	R8001	T14F	ERC02562J000	5.6 kΩ
825	R8013	T15G	ERC02562J000	5.6 kΩ
826	R8143	T8H	ERC02562J000	5.6 kΩ
827	C6046	B14G	ECC1556AB000	5.6 pF
828	C6048	B14F	ECC1556AB000	5.6 pF
829	C8097	T12C	ECC2256AC000	5.6 pF
830	L8022	T8H	ECC1856AB000	5.6 pF
831	C6107	B14I	ECC18562K000	5600 pF
832	R6035	B14H	ERC02563F000	56 kΩ
833	R8033	T13F	ERC02563F000	56 kΩ

No.	Ref. No.	Print No.	Part No.	Description
834	R1000	T6C	ERC02563F000	56 kΩ
835	C7027	B9J	ECC15560J000	56 pF
836	C8042	B10C	ECC18560J000	56 pF
837	C6025	B12J	ECC1550AB000	5 pF
838	C6027	B12I	ECC1550AB000	5 pF
839	C6126	T14I	ECC1850AB000	5 pF
840	C6187	B10J	ECC1850AB000	5 pF
841	C6190	B10J	ECC1850AB000	5 pF
842	C6196	B10J	ECC1850AB000	5 pF
843	C7015	B9J	ECC1850AB000	5 pF
844	R8081	B9H	ERC02622J000	6.2 kΩ
845	R8021	T14G	ERC026811F00	6.81 kΩ
846	R8031	T14F	ERC026811F00	6.81 kΩ
847	R8061	B10H	ERC026811F00	6.81 kΩ
848	R6043	T14H	ERC026811F00	6.81 kΩ
849	R7028	T8J	ERC026811F00	6.81 kΩ
850	R8132	B10G	ERC026811F00	6.81 kΩ
851	L7033	B9K	ELL1868AD000	6.8 nH
852	L7034	B9K	ELL1868AD000	6.8 nH
853	C6044	B14F	ECC1568AB000	6.8 pF
854	C6045	B12G	ECC1568AB000	6.8 pF
855	C6047	B12F	ECC1568AB000	6.8 pF
856	C6062	B12F	ECC1568AB000	6.8 pF
857	C6064	B14H	ECC1568AB000	6.8 pF
858	C6076	B12G	ECC1568AB000	6.8 pF
859	C8116	T9H	ECC1568AB000	6.8 pF
860	C8061	T9C	ECC2268AC000	6.8 pF
861	C8078	T10C	ECC2268AC000	6.8 pF
862	L6033	T14I	ELW18682K000	6.8 μH
863	R8014	T13G	ERC02683F000	68 kΩ
864	R8130	B10F	ERC02683F000	68 kΩ
865	R1002	T7F	ERC02683F000	68 kΩ
866	R4012	B6I	ERC02683F000	68 kΩ
867	C3033	B5G	ECC15680J000	68 pF
868	C4064	T2B	ECC15680J000	68 pF
869	C6050	B14G	ECC1560AB000	6 pF
870	C6057	B12G	ECC1560AB000	6 pF
871	C6037	B14F	ECC1575AB000	7.5 pF

No.	Ref. No.	Print No.	Part No.	Description
872	C6040	B14F	ECC1575AB000	7.5 pF
873	C7064	T8K	ECC1575AB000	7.5 pF
874	C7092	B9K	ECC1575AB000	7.5 pF
875	C7093	B9K	ECC1575AB000	7.5 pF
876	C6203	B10J	ECC1575AB000	7.5 pF
877	U6001	B14H	EGCS73354000	73.35 MHz
878	C6144	B14K	ECC1870AB000	7 pF
879	L7004	B9J	ELH0080AZ000	8 nH
880	R2023	T7I	ERC02822J000	8.2 kΩ
881	R5002	B2C	ERC02822J000	8.2 kΩ
882	R5019	B5D	ERC02822J000	8.2 kΩ
883	R5043	B4D	ERC02822J000	8.2 kΩ
884	R5047	B4F	ERC02822J000	8.2 kΩ
885	R5049	B6E	ERC02822J000	8.2 kΩ
886	R5050	B6E	ERC02822J000	8.2 kΩ
887	R5052	B4J	ERC02822J000	8.2 kΩ
888	D6015	B10I	EDVS05020000	Varactor diode
889	D6017	B10I	EDVS05020000	Varactor diode
890	D7002	B9I	EDVS05020000	Varactor diode
891	D7005	B9I	EDVS05020000	Varactor diode
892	Q6001	B12J	ETNS04030000	NPN transistor
893	Q6002	B13G	ETNS04030000	NPN transistor
894	L3001	B6H	ELF15601Y000	Bead
895	L3003	B5H	ELF15601Y000	Bead
896	L3004	B6I	ELF15601Y000	Bead
897	L3006	B5I	ELF15601Y000	Bead
898	L3008	B4H	ELF15601Y000	Bead
899	L3011	T4G	ELF15601Y000	Bead
900	L3012	T3G	ELF15601Y000	Bead
901	L3013	T3G	ELF15601Y000	Bead
902	L3014	T3G	ELF15601Y000	Bead
903	L2005	T6J	ELF15121Y000	Bead
904	L4000	B6J	ELF15121Y000	Bead
905	L4002	B6I	ELF15121Y000	Bead
906	L4005	T2C	ELF15121Y000	Bead
907	L5001	T3D	ELF15121Y000	Bead
908	L6035	B13J	ELF15121Y000	Bead
909	L6041	B11K	ELF15121Y000	Bead

No.	Ref. No.	Print No.	Part No.	Description
910	L6044	T12I	ELF15121Y000	Bead
911	L6046	T11J	ELF15121Y000	Bead
912	L6050	T12J	ELF15121Y000	Bead
913	L6051	T11J	ELF15121Y000	Bead
914	L6052	B10I	ELF15121Y000	Bead
915	L7000	T9J	ELF15121Y000	Bead
916	L7005	B8J	ELF15121Y000	Bead
917	L7006	B8K	ELF15121Y000	Bead
918	L7009	T8J	ELF15121Y000	Bead
919	L7010	T8J	ELF15121Y000	Bead
920	L7015	B10I	ELF15121Y000	Bead
921	L7027	T11K	ELF15121Y000	Bead
922	L7030	T11K	ELF15121Y000	Bead
923	L7031	T9J	ELF15121Y000	Bead
924	L7035	T9K	ELF15121Y000	Bead
925	L7036	T9J	ELF15121Y000	Bead
926	L7037	T10K	ELF15121Y000	Bead
927	L7038	T9K	ELF15121Y000	Bead
928	L8002	T13G	ELF15121Y000	Bead
929	L8003	T13F	ELF15121Y000	Bead
930	L8004	T13G	ELF15121Y000	Bead
931	L8006	T12H	ELF15121Y000	Bead
932	L3000	T3E	ELF18601Y000	Bead
933	L3002	B5H	ELF18601Y000	Bead
934	L3005	B5F	ELF18601Y000	Bead
935	L3007	B4F	ELF18601Y000	Bead
936	L3009	B4G	ELF18601Y000	Bead
937	L3010	B3F	ELF18601Y000	Bead
938	L3015	T2F	ELF18601Y000	Bead
939	L3017	T2G	ELF18601Y000	Bead
940	L6000	B13K	ELF18601Y000	Bead
941	L6001	B13F	ELF18601Y000	Bead
942	L6022	B14H	ELF18601Y000	Bead
943	L6028	B14I	ELF18601Y000	Bead
944	L6029	B15J	ELF18601Y000	Bead
945	L6032	T15I	ELF18601Y000	Bead
946	L6038	B13K	ELF18601Y000	Bead
947	L8009	B9G	ELF18601Y000	Bead

No.	Ref. No.	Print No.	Part No.	Description
948	L8010	B8G	ELF18601Y000	Bead
949	L8019	B9H	ELF18601Y000	Bead
950	L8028	T9H	ELF18601Y000	Bead
951	L8033	B12B	ELF18601Y000	Bead
952	L8034	T15C	ELF18601Y000	Bead
953	L8036	B9H	ELF18601Y000	Bead
954	L8037	T14C	ELF18601Y000	Bead
955	L8038	B9G	ELF18601Y000	Bead
956	L8039	B8G	ELF18601Y000	Bead
957	L1005	T6H	ELF18181Y000	Bead
958	L1006	T6H	ELF18181Y000	Bead
959	L1007	T5H	ELF18181Y000	Bead
960	L1008	T11H	ELF18181Y000	Bead
961	L1011	T12G	ELF18181Y000	Bead
962	L1012	T6G	ELF18181Y000	Bead
963	L1013	T5H	ELF18181Y000	Bead
964	L1014	T12G	ELF18181Y000	Bead
965	L1015	T12H	ELF18181Y000	Bead
966	L1016	T6F	ELF18181Y000	Bead
967	L1017	T5G	ELF18181Y000	Bead
968	L1018	T3E	ELF18181Y000	Bead
969	L1019	T4F	ELF18181Y000	Bead
970	L1020	T1J	ELF18181Y000	Bead
971	L1021	T2J	ELF18181Y000	Bead
972	L1023	T3F	ELF18181Y000	Bead
973	L1025	T2D	ELF18181Y000	Bead
974	L1027	T12H	ELF18181Y000	Bead
975	L1028	T12H	ELF18181Y000	Bead
976	L1029	T12I	ELF18181Y000	Bead
977	L1030	T12H	ELF18181Y000	Bead
978	L8013	B10G	ELF18181Y000	Bead
979	L1002	T5F	ELF18121Y000	Bead
980	L1009	T6D	ELF41600Y000	Bead
981	L1010	T6C	ELF41600Y000	Bead
982	L3016	T1E	ELF41600Y000	Bead
983	L3018	T2F	ELF41600Y000	Bead
984	L3019	T2H	ELF41600Y000	Bead
985	L3020	T2G	ELF41600Y000	Bead

No.	Ref. No.	Print No.	Part No.	Description
986	L3021	B3E	ELF41600Y000	Bead
987	L8007	B7C	ELF41600Y000	Bead
988	L8008	B7B	ELF41600Y000	Bead
989	L8011	B10C	ELF41600Y000	Bead
990	L8012	B10C	ELF41600Y000	Bead
991	U3006	T3H	ESJ014000000	Noise reduction IC
992	D8008	B8H	EDWS05040000	Zener diode
993	L1001	T5E	ELC00153N000	15 $\mu$ H
994	L1004	T6H	ELC00622N000	6.2 $\mu$ H
995	L1000	T6E	ELC00103N000	10 $\mu$ H
996	U5004	B4K	EGKS00000000	EMI filter
997	U5005	B4K	EGKS00000000	EMI filter
998	D5011	B3B	EDES13010000	ESD protection diode
999	D5012	T4A	EDES13010000	ESD protection diode
1000	D5016	T5J	EDES13010000	ESD protection diode
1001	D5017	B6K	EDES13010000	ESD protection diode
1002	D5018	B7K	EDES13010000	ESD protection diode
1003	D1002	T5F	EDES13010001	ESD protection diode
1004	D2002	T3K	EDES13010001	ESD protection diode
1005	D5008	T3B	EDES13010001	ESD protection diode
1006	D5014	B7K	EDES13010001	ESD protection diode
1007	D5020	T6J	EDES13010001	ESD protection diode
1008	U2005	T5I	SMESM003000001	Memory
1009	U8011	T13G	ESE010000001	Operational amplifier
1010	U1004	T12G	ESH010000002	Power management IC
1011	U1005	T12G	ESH010000002	Power management IC
1012	U1008	T4F	ESH010000000	Power management IC
1013	U3001	B5G	ESE002000001	Operational amplifier
1014	U3004	B4G	ESE002000001	Operational amplifier
1015	U1007	T5C	ESE010000000	Operational amplifier
1016	U3002	T2G	ESE010000000	Operational amplifier
1017	U2007	T5K	ESP014000000	Switch IC
1018	U3005	B4I	ESP014000001	Three-way analog switch IC
1019	U2001	T4K	ESP025000000	Two-way USB analog switch IC
1020	U2000	T3I	ESN002000005	Baseband processor IC
1021	Q6003	B15H	ETNS04010000	NPN transistor
1022	Q6004	B15H	ETNS04010000	NPN transistor
1023	Q6013	T12J	ETNS04010000	NPN transistor



No.	Ref. No.	Print No.	Part No.	Description
1024	Q6014	T12K	ETNS04010000	NPN transistor
1025	Q7006	T8J	ETNS04010000	NPN transistor
1026	D5019	B4K	EDES06010002	ESD protection diode
1027	D2010	B5K	EDES06010003	ESD protection diode
1028	D5001	T1B	ESJ025000000	USB protection IC
1029	D5013	T6K	ESJ025000000	USB protection IC
1030	Q1004	T7C	ETNS04040000	NPN transistor
1031	D1005	T4C	EDXS03030000	Schottky barrier diode
1032	D2000	B2I	EDXS03030000	Schottky barrier diode
1033	D2003	B2I	EDXS03030000	Schottky barrier diode
1034	D2004	B2I	EDXS03030000	Schottky barrier diode
1035	D5015	B6B	EDXS03030000	Schottky barrier diode
1036	Q8006	T9H	EFAS02010000	PA MOSFET
1037	Q8005	T10H	EFAS02010001	PA MOSFET
1038	U1003	T6H	ESH016000004	Power management IC
1039	U1002	T5H	ESH016000003	Power management IC
1040	U1009	T1J	ESH016000000	Power management IC
1041	U1006	T6G	ESH016000002	Power management IC
1042	U1010	T4F	ESH016000002	Power management IC
1043	U1011	T2D	ESH016000002	Power management IC
1044	U1012	T12H	ESH016000002	Power management IC
1045	U1013	T12H	ESH016000002	Power management IC
1046	U2008	B2H	ESH016000002	Power management IC
1047	Q5015	B5B	EFPS03020000	P-MOSFET
1048	U8003	B8B	ESE028000000	Current sense amplifier
1049	U7000	T10K	ESD017000000	PLL IC
1050	D6002	B12H	ESZ017000000	Mixer IC
1051	U2006	T4J	ESR002000000	Logic IC
1052	U5000	B3D	ESR002000001	Logic IC
1053	U5001	B3H	ESR002000001	Logic IC
1054	U5002	B5I	ESR002000001	Logic IC
1055	U3003	B5H	ESN002000001	Baseband processor IC
1056	U4000	B7I	ESF002000000	D/A converter IC
1057	U2003	B2J	ESQ002000001	Reset IC
1058	U1000	T6E	ESH002000000	Power management IC
1059	U1001	T6G	ESH002000001	Power management IC
1060	U3010	T3G	ESP002000000	Analog switch IC
1061	U3000	T2G	ESP002000001	Switch IC

No.	Ref. No.	Print No.	Part No.	Description
1062	U3008	T2H	ESP002000001	Switch IC
1063	D1008	T4B	EDWS03070001	Zener diode
1064	D1004	T5C	EDWS03070000	Zener diode
1065	D2001	B2H	EDWS03070000	Zener diode
1066	Q6000	B13F	ETCS03080001	Compound transistor
1067	U501	T8J	ESY013000000	Buffer amplifier IC
1068	U2002	B2I	ESH018000000	Power management IC
1069	U4008	T2K	EGGS02447000	SAW filter
1070	U4009	T2K	ESB008000000	Bluetooth module
1071	X4001	T3K	EYBS02605002	Crystal resonator
1072	J1000	/	EJZS00600000	Power socket
1073	C1000	/	ECE00477M002	470 $\mu$ F
1074	J5000	/	EJZS02600000	D_SUB connector
1075	U3009	/	ESV024000000	Audio amplifier IC
1076	J4000	/	EMC001000000	RF connector
1077	J4001	/	EMC001000000	RF connector
1078	J5002	/	EJHS02020000	FPC connector
1079	J5001	/	EJBS02000002	Board-to-board connector
1080	J5003	/	EJMS00800000	MicroSD card connector
1081	S1000	/	MB0005000020	Heat sink
1082	W8000	/	EMH001000000	TNC antenna connector
1083	A1	/	MM0059000200	Shielding can A
1084	A2	/	MM0059000200	Shielding can A
1085	E2	/	MM0063000200	Shielding can E
1086	F1	/	MM0064000200	Shielding can F
1087	G1	/	MM0065000200	Shielding can G
1088	H1	/	MM0066000200	Shielding can H
1089	I1	/	MM0015000100	Shielding can C
1090	J1	/	MM0019000100	Shielding can F
1091	/	/	EPPH0020800F	PCB

Table 6-1 Parts List of RDR9000 TX Board

**RDR9000 RX Board**

No.	Ref. No.	Print No.	Part No.	Description
1	L8018	T10A	ERC06000F000	0 Ω
2	R2010	B2I	ERC02000J000	0 Ω
3	R2024	T2I	ERC02000J000	0 Ω
4	R2040	T5J	ERC02000J000	0 Ω
5	R2082	T4K	ERC02000J000	0 Ω
6	R2083	T4K	ERC02000J000	0 Ω
7	R2099	T3H	ERC02000J000	0 Ω
8	R2101	T4K	ERC02000J000	0 Ω
9	R2102	T4K	ERC02000J000	0 Ω
10	C2140	T2J	ERC02000J000	0 Ω
11	R3046	B4I	ERC02000J000	0 Ω
12	R3047	B4H	ERC02000J000	0 Ω
13	R3048	B4I	ERC02000J000	0 Ω
14	R3088	T3H	ERC02000J000	0 Ω
15	C3096	T3H	ERC02000J000	0 Ω
16	R3116	B3E	ERC02000J000	0 Ω
17	R4001	B6J	ERC02000J000	0 Ω
18	R4007	B6J	ERC02000J000	0 Ω
19	R4008	B6J	ERC02000J000	0 Ω
20	R4010	B7J	ERC02000J000	0 Ω
21	R4011	B7J	ERC02000J000	0 Ω
22	R5094	B5I	ERC02330J000	33 Ω
23	R5101	T3B	ERC02330J000	33 Ω
24	R5102	T3B	ERC02330J000	33 Ω
25	R5104	T4B	ERC02330J000	33 Ω
26	R5105	T4B	ERC02330J000	33 Ω
27	R5106	T4B	ERC02330J000	33 Ω
28	R5111	T3B	ERC02330J000	33 Ω
29	R5112	T4B	ERC02330J000	33 Ω
30	R5113	T5A	ERC02330J000	33 Ω
31	R5115	T2A	ERC02330J000	33 Ω
32	R5116	T2A	ERC02330J000	33 Ω
33	R5117	T3A	ERC02330J000	33 Ω
34	R5118	T3A	ERC02330J000	33 Ω
35	R5119	T4A	ERC02330J000	33 Ω
36	R5120	T4A	ERC02330J000	33 Ω
37	R5132	T5K	ERC02330J000	33 Ω

No.	Ref. No.	Print No.	Part No.	Description
38	R5133	T6J	ERC02330J000	33 Ω
39	R5136	B6K	ERC02330J000	33 Ω
40	R5137	T5J	ERC02330J000	33 Ω
41	R5138	B5K	ERC02330J000	33 Ω
42	R5139	B5K	ERC02330J000	33 Ω
43	R5140	B5K	ERC02330J000	33 Ω
44	R5141	B4K	ERC02330J000	33 Ω
45	R5142	B6K	ERC02330J000	33 Ω
46	R5144	B2B	ERC02330J000	33 Ω
47	R5145	B5K	ERC02330J000	33 Ω
48	R5149	T3A	ERC02330J000	33 Ω
49	R5151	B5D	ERC02330J000	33 Ω
50	R8006	T14G	ERC02390J000	39 Ω
51	R8007	T15F	ERC02390J000	39 Ω
52	C6214	B11J	ERC02510F000	51Ω
53	R2025	T2I	ERC02510F000	51 Ω
54	R6027	B15H	ERC02510F000	51 Ω
55	R6037	B15J	ERC02510F000	51 Ω
56	R8005	T14G	ERC02510F000	51 Ω
57	R8059	T10H	ERC02510F000	51 Ω
58	R6000	B12K	ERC03680J000	68 Ω
59	R6001	B12K	ERC03680J000	68 Ω
60	R6078	B10J	ERC02820J000	82 Ω
61	R7008	B9J	ERC02820J000	82 Ω
62	R7041	T9K	ERC02820J000	82 Ω
63	L4004	T2D	ERC02101J000	100 Ω
64	R1005	T5I	ERC02101J000	100 Ω
65	R1042	T4C	ERC02101J000	100 Ω
66	R2064	T4J	ERC02101J000	100 Ω
67	R2065	T4J	ERC02101J000	100 Ω
68	R2066	B4J	ERC02101J000	100 Ω
69	R2067	T4J	ERC02101J000	100 Ω
70	R2071	B3J	ERC02101J000	100 Ω
71	R2073	T4J	ERC02101J000	100 Ω
72	R2080	T3K	ERC02101J000	100 Ω
73	R2084	T2J	ERC02101J000	100 Ω
74	R2085	T2J	ERC02101J000	100 Ω
75	R2086	T3J	ERC02101J000	100 Ω

No.	Ref. No.	Print No.	Part No.	Description
76	R2089	B1H	ERC02101J000	100 Ω
77	R2092	T2J	ERC02101J000	100 Ω
78	R2105	T7I	ERC02101J000	100 Ω
79	R3002	B5G	ERC02101J000	100 Ω
80	R3019	B4F	ERC02101J000	100 Ω
81	R3029	B3F	ERC02101J000	100 Ω
82	R3051	B3F	ERC02101J000	100 Ω
83	R3090	T4H	ERC02101J000	100 Ω
84	R3091	T4H	ERC02101J000	100 Ω
85	R3092	T2E	ERC02101J000	100 Ω
86	R3096	T2G	ERC02101J000	100 Ω
87	R4005	B6J	ERC02101J000	100 Ω
88	R5123	T5C	ERC02101J000	100 Ω
89	R5131	T5J	ERC02101J000	100 Ω
90	R6020	B12H	ERC02101J000	100 Ω
91	R6060	B10K	ERC02101J000	100 Ω
92	R6069	B12H	ERC02101J000	100 Ω
93	R6084	B11K	ERC02101J000	100 Ω
94	R7006	B9K	ERC02101J000	100 Ω
95	R7017	B8K	ERC02101J000	100 Ω
96	R8009	T14G	ERC02101J000	100 Ω
97	R8080	T8H	ERC02101J000	100 Ω
98	R6005	B13F	ERC03101J000	100 Ω
99	R8040	T9F	ERC06101J000	100 Ω
100	R8045	T9F	ERC06101J000	100 Ω
101	R8055	T10F	ERC06101J000	100 Ω
102	R8060	T10F	ERC06101J000	100 Ω
103	R8075	T15D	ERC03121J000	120 Ω
104	R8004	T14F	ERC02151J000	150 Ω
105	R8076	T15D	ERC03151J000	150 Ω
106	R8082	B9F	ERC06151J000	150 Ω
107	R8083	B9F	ERC06151J000	150 Ω
108	R1030	T7D	ERC20151J000	150 Ω
109	R8057	T8H	ERC02181J000	180 Ω
110	R8058	T8H	ERC02181J000	180 Ω
111	R8077	T15B	ERC03181J000	180 Ω
112	R8078	T15B	ERC03181J000	180 Ω
113	R3042	B2H	ERC02301J000	300 Ω

No.	Ref. No.	Print No.	Part No.	Description
114	R6040	T15H	ERC02301J000	300 Ω
115	R6072	B11K	ERC02301J000	300 Ω
116	R6073	B11K	ERC02301J000	300 Ω
117	R5009	B2C	ERC02331J000	300 Ω
118	R5024	B4D	ERC02331J000	300 Ω
119	R5046	B4D	ERC02331J000	300 Ω
120	R5071	B4D	ERC02331J000	300 Ω
121	R5086	B4E	ERC02331J000	300 Ω
122	R6014	B12J	ERC02331J000	300 Ω
123	R6024	B15H	ERC02331J000	300 Ω
124	R8034	T14F	ERC02331J000	300 Ω
125	R8019	T14G	ERC03331F000	300 Ω
126	R8050	T11H	ERC03331F000	300 Ω
127	R8063	T14D	ERC03331F000	300 Ω
128	R8064	T14D	ERC03331F000	300 Ω
129	R8071	T9H	ERC03331F000	300 Ω
130	R8072	T15B	ERC03331F000	300 Ω
131	R8042	B8H	ERC06331J000	300 Ω
132	R8043	B8H	ERC06331J000	300 Ω
133	R8067	B13B	ERC06331J000	300 Ω
134	R8068	B13B	ERC06331J000	300 Ω
135	R8069	B13B	ERC06331J000	300 Ω
136	R1020	T6C	ERC12331J000	300 Ω
137	R6046	T15I	ERC02391J000	390 Ω
138	R6009	B13F	ERC02511J000	510 Ω
139	R6057	T12J	ERC02511J000	510 Ω
140	R6058	T12J	ERC02511J000	510 Ω
141	R6062	T11J	ERC02511J000	510 Ω
142	R6063	T11J	ERC02511J000	510 Ω
143	R3109	B2H	ERC02561J000	560 Ω
144	R1019	B7C	ERC02681J000	680 Ω
145	R6002	B13F	ERC03681J000	680 Ω
146	R6051	B14K	ERC02821J000	820 Ω
147	RN6000	B14J	ERP02000J000	0 Ω*4
148	C1009	T5E	ECC15103K001	0.01 μF
149	C1028	T6H	ECC15103K001	0.01 μF
150	C1057	T6D	ECC15103K001	0.01 μF
151	C2013	B3I	ECC15103K001	0.01 μF

No.	Ref. No.	Print No.	Part No.	Description
152	C2017	B3I	ECC15103K001	0.01 $\mu$ F
153	C2043	B1J	ECC15103K001	0.01 $\mu$ F
154	C2051	B3J	ECC15103K001	0.01 $\mu$ F
155	C2053	B3J	ECC15103K001	0.01 $\mu$ F
156	C2059	T1I	ECC15103K001	0.01 $\mu$ F
157	C2068	T5J	ECC15103K001	0.01 $\mu$ F
158	C3007	T3E	ECC15103K001	0.01 $\mu$ F
159	C3009	B6G	ECC15103K001	0.01 $\mu$ F
160	C3021	B5H	ECC15103K001	0.01 $\mu$ F
161	C3024	B5I	ECC15103K001	0.01 $\mu$ F
162	C3035	B5I	ECC15103K001	0.01 $\mu$ F
163	C3074	B4H	ECC15103K001	0.01 $\mu$ F
164	C3076	T3H	ECC15103K001	0.01 $\mu$ F
165	C3093	T3H	ECC15103K001	0.01 $\mu$ F
166	C4010	B7J	ECC15103K001	0.01 $\mu$ F
167	C4013	B7J	ECC15103K001	0.01 $\mu$ F
168	C6078	B14H	ECC15103K001	0.01 $\mu$ F
169	C6083	B15H	ECC15103K001	0.01 $\mu$ F
170	C6087	B15H	ECC15103K001	0.01 $\mu$ F
171	C6088	B15H	ECC15103K001	0.01 $\mu$ F
172	C6098	B14I	ECC15103K001	0.01 $\mu$ F
173	C6102	B14I	ECC15103K001	0.01 $\mu$ F
174	C6104	B14I	ECC15103K001	0.01 $\mu$ F
175	C6108	B14I	ECC15103K001	0.01 $\mu$ F
176	C6113	B14J	ECC15103K001	0.01 $\mu$ F
177	C6130	B15J	ECC15103K001	0.01 $\mu$ F
178	C6139	B14K	ECC15103K001	0.01 $\mu$ F
179	C7108	T10K	ECC15103K001	0.01 $\mu$ F
180	C8024	T14G	ECC15103K001	0.01 $\mu$ F
181	C8030	T13F	ECC15103K001	0.01 $\mu$ F
182	C8130	T9H	ECC15103K001	0.01 $\mu$ F
183	C8178	T13G	ECC15103K001	0.01 $\mu$ F
184	C1003	T6F	ECC18103K000	0.01 $\mu$ F
185	C6142	B14K	ECC18103K000	0.01 $\mu$ F
186	C6059	B12G	ECC15223K000	0.022 $\mu$ F
187	C6063	B15F	ECC15223K000	0.022 $\mu$ F
188	C6109	B14J	ECC18223K000	0.022 $\mu$ F
189	C8038	B7B	ECC18223K000	0.022 $\mu$ F

No.	Ref. No.	Print No.	Part No.	Description
190	C6183	B10J	ECC15473K000	0.047 $\mu$ F
191	C7013	B9J	ECC15473K000	0.047 $\mu$ F
192	C8129	T8H	ECC15473K000	0.047 $\mu$ F
193	C1011	T5F	ECC15104K000	0.1 $\mu$ F
194	C1012	T5E	ECC15104K000	0.1 $\mu$ F
195	C1017	T6I	ECC15104K000	0.1 $\mu$ F
196	C1021	T6G	ECC15104K000	0.1 $\mu$ F
197	C1026	T6H	ECC15104K000	0.1 $\mu$ F
198	C1027	T6G	ECC15104K000	0.1 $\mu$ F
199	C1029	T13C	ECC15104K000	0.1 $\mu$ F
200	C1032	T6H	ECC15104K000	0.1 $\mu$ F
201	C1033	T12F	ECC15104K000	0.1 $\mu$ F
202	C1035	T6H	ECC15104K000	0.1 $\mu$ F
203	C1038	T5H	ECC15104K000	0.1 $\mu$ F
204	C1042	B6C	ECC15104K000	0.1 $\mu$ F
205	C1047	T12H	ECC15104K000	0.1 $\mu$ F
206	C1048	T5G	ECC15104K000	0.1 $\mu$ F
207	C1049	T5G	ECC15104K000	0.1 $\mu$ F
208	C1051	T12H	ECC15104K000	0.1 $\mu$ F
209	C1053	T11G	ECC15104K000	0.1 $\mu$ F
210	C1056	T6H	ECC15104K000	0.1 $\mu$ F
211	C1058	T12G	ECC15104K000	0.1 $\mu$ F
212	C1060	T12G	ECC15104K000	0.1 $\mu$ F
213	C1061	T6F	ECC15104K000	0.1 $\mu$ F
214	C1065	T12H	ECC15104K000	0.1 $\mu$ F
215	C1068	T6G	ECC15104K000	0.1 $\mu$ F
216	C1069	T6F	ECC15104K000	0.1 $\mu$ F
217	C1074	T4E	ECC15104K000	0.1 $\mu$ F
218	C1075	T3F	ECC15104K000	0.1 $\mu$ F
219	C1076	T1J	ECC15104K000	0.1 $\mu$ F
220	C1077	T1J	ECC15104K000	0.1 $\mu$ F
221	C1080	T4F	ECC15104K000	0.1 $\mu$ F
222	C1083	T2J	ECC15104K000	0.1 $\mu$ F
223	C1086	T4F	ECC15104K000	0.1 $\mu$ F
224	C1091	T2D	ECC15104K000	0.1 $\mu$ F
225	C1095	T3F	ECC15104K000	0.1 $\mu$ F
226	C1096	T3D	ECC15104K000	0.1 $\mu$ F
227	C1097	T3D	ECC15104K000	0.1 $\mu$ F



No.	Ref. No.	Print No.	Part No.	Description
228	C1099	T5C	ECC15104K000	0.1 $\mu$ F
229	C1101	T12H	ECC15104K000	0.1 $\mu$ F
230	C1102	T12H	ECC15104K000	0.1 $\mu$ F
231	C1104	T5C	ECC15104K000	0.1 $\mu$ F
232	C1107	T12H	ECC15104K000	0.1 $\mu$ F
233	C1109	T12H	ECC15104K000	0.1 $\mu$ F
234	C1111	T12I	ECC15104K000	0.1 $\mu$ F
235	C1114	T12H	ECC15104K000	0.1 $\mu$ F
236	C2000	B3I	ECC15104K000	0.1 $\mu$ F
237	C2004	B3I	ECC15104K000	0.1 $\mu$ F
238	C2008	B3I	ECC15104K000	0.1 $\mu$ F
239	C2012	B3I	ECC15104K000	0.1 $\mu$ F
240	C2016	B3I	ECC15104K000	0.1 $\mu$ F
241	C2020	B3I	ECC15104K000	0.1 $\mu$ F
242	C2024	B3I	ECC15104K000	0.1 $\mu$ F
243	C2028	B3I	ECC15104K000	0.1 $\mu$ F
244	C2044	B2J	ECC15104K000	0.1 $\mu$ F
245	C2049	B3I	ECC15104K000	0.1 $\mu$ F
246	C2050	B3J	ECC15104K000	0.1 $\mu$ F
247	C2052	B3I	ECC15104K000	0.1 $\mu$ F
248	C2056	T6J	ECC15104K000	0.1 $\mu$ F
249	C2058	T1I	ECC15104K000	0.1 $\mu$ F
250	C2067	T5J	ECC15104K000	0.1 $\mu$ F
251	C2073	T4J	ECC15104K000	0.1 $\mu$ F
252	C2112	T5K	ECC15104K000	0.1 $\mu$ F
253	C2123	T3J	ECC15104K000	0.1 $\mu$ F
254	C2124	B3J	ECC15104K000	0.1 $\mu$ F
255	C2125	B3J	ECC15104K000	0.1 $\mu$ F
256	C2126	B3I	ECC15104K000	0.1 $\mu$ F
257	C2127	B3I	ECC15104K000	0.1 $\mu$ F
258	C2128	B3I	ECC15104K000	0.1 $\mu$ F
259	C2154	B2H	ECC15104K000	0.1 $\mu$ F
260	C2158	T4K	ECC15104K000	0.1 $\mu$ F
261	C3002	T2G	ECC15104K000	0.1 $\mu$ F
262	C3004	T3E	ECC15104K000	0.1 $\mu$ F
263	C3006	T2E	ECC15104K000	0.1 $\mu$ F
264	C3010	B5G	ECC15104K000	0.1 $\mu$ F
265	C3012	B5H	ECC15104K000	0.1 $\mu$ F

No.	Ref. No.	Print No.	Part No.	Description
266	C3013	T2F	ECC15104K000	0.1 $\mu$ F
267	C3015	T2F	ECC15104K000	0.1 $\mu$ F
268	C3039	B5H	ECC15104K000	0.1 $\mu$ F
269	C3046	B2H	ECC15104K000	0.1 $\mu$ F
270	C3060	B5H	ECC15104K000	0.1 $\mu$ F
271	C3061	B3G	ECC15104K000	0.1 $\mu$ F
272	C3062	B4I	ECC15104K000	0.1 $\mu$ F
273	C3083	T4G	ECC15104K000	0.1 $\mu$ F
274	C3084	T4G	ECC15104K000	0.1 $\mu$ F
275	C3085	T4G	ECC15104K000	0.1 $\mu$ F
276	C3086	T4G	ECC15104K000	0.1 $\mu$ F
277	C3089	T3H	ECC15104K000	0.1 $\mu$ F
278	C3094	T3H	ECC15104K000	0.1 $\mu$ F
279	C3095	T3G	ECC15104K000	0.1 $\mu$ F
280	C3099	T5G	ECC15104K000	0.1 $\mu$ F
281	C3107	T3H	ECC15104K000	0.1 $\mu$ F
282	C3109	T3H	ECC15104K000	0.1 $\mu$ F
283	C3111	T2G	ECC15104K000	0.1 $\mu$ F
284	C3112	T2H	ECC15104K000	0.1 $\mu$ F
285	C3137	T3G	ECC15104K000	0.1 $\mu$ F
286	C4017	T10K	ECC15104K000	0.1 $\mu$ F
287	C4019	B6I	ECC15104K000	0.1 $\mu$ F
288	C4020	T9J	ECC15104K000	0.1 $\mu$ F
289	C4025	T10J	ECC15104K000	0.1 $\mu$ F
290	C4066	T2C	ECC15104K000	0.1 $\mu$ F
291	C4070	T3J	ECC15104K000	0.1 $\mu$ F
292	C4071	T2K	ECC15104K000	0.1 $\mu$ F
293	C4072	T2K	ECC15104K000	0.1 $\mu$ F
294	C4076	T2K	ECC15104K000	0.1 $\mu$ F
295	C4080	T2K	ECC15104K000	0.1 $\mu$ F
296	C4083	T3J	ECC15104K000	0.1 $\mu$ F
297	C5003	B2D	ECC15104K000	0.1 $\mu$ F
298	C5007	B3H	ECC15104K000	0.1 $\mu$ F
299	C5018	B3B	ECC15104K000	0.1 $\mu$ F
300	C5065	B5I	ECC15104K000	0.1 $\mu$ F
301	C6011	B13F	ECC15104K000	0.1 $\mu$ F
302	C6016	B13F	ECC15104K000	0.1 $\mu$ F
303	C6031	B13G	ECC15104K000	0.1 $\mu$ F

No.	Ref. No.	Print No.	Part No.	Description
304	C6079	B14H	ECC15104K000	0.1 $\mu$ F
305	C6084	B14H	ECC15104K000	0.1 $\mu$ F
306	C6089	B15H	ECC15104K000	0.1 $\mu$ F
307	C6099	B14I	ECC15104K000	0.1 $\mu$ F
308	C6101	B14J	ECC15104K000	0.1 $\mu$ F
309	C6103	B14I	ECC15104K000	0.1 $\mu$ F
310	C6105	B15J	ECC15104K000	0.1 $\mu$ F
311	C6106	B15I	ECC15104K000	0.1 $\mu$ F
312	C6112	T14H	ECC15104K000	0.1 $\mu$ F
313	C6115	T15H	ECC15104K000	0.1 $\mu$ F
314	C6121	T15I	ECC15104K000	0.1 $\mu$ F
315	C6125	B15J	ECC15104K000	0.1 $\mu$ F
316	C6128	B15J	ECC15104K000	0.1 $\mu$ F
317	C6131	B14J	ECC15104K000	0.1 $\mu$ F
318	C6135	B14J	ECC15104K000	0.1 $\mu$ F
319	C6140	B14K	ECC15104K000	0.1 $\mu$ F
320	C6165	T12I	ECC15104K000	0.1 $\mu$ F
321	C6171	T11J	ECC15104K000	0.1 $\mu$ F
322	C6176	T11J	ECC15104K000	0.1 $\mu$ F
323	C7008	B9K	ECC15104K000	0.1 $\mu$ F
324	C7023	B8K	ECC15104K000	0.1 $\mu$ F
325	C7028	B8K	ECC15104K000	0.1 $\mu$ F
326	C7032	T8J	ECC15104K000	0.1 $\mu$ F
327	C7033	T8J	ECC15104K000	0.1 $\mu$ F
328	C7037	T8J	ECC15104K000	0.1 $\mu$ F
329	C7041	T8J	ECC15104K000	0.1 $\mu$ F
330	C7078	T11K	ECC15104K000	0.1 $\mu$ F
331	C7090	T9K	ECC15104K000	0.1 $\mu$ F
332	C7100	T10J	ECC15104K000	0.1 $\mu$ F
333	C7103	T10K	ECC15104K000	0.1 $\mu$ F
334	C7104	T10K	ECC15104K000	0.1 $\mu$ F
335	C7107	T10K	ECC15104K000	0.1 $\mu$ F
336	C7109	T9K	ECC15104K000	0.1 $\mu$ F
337	C8007	T13G	ECC15104K000	0.1 $\mu$ F
338	C8019	T14G	ECC15104K000	0.1 $\mu$ F
339	C8022	T13F	ECC15104K000	0.1 $\mu$ F
340	C8027	B11F	ECC15104K000	0.1 $\mu$ F
341	C8032	T13F	ECC15104K000	0.1 $\mu$ F

No.	Ref. No.	Print No.	Part No.	Description
342	C8035	T13H	ECC15104K000	0.1 $\mu$ F
343	C8102	T9H	ECC15104K000	0.1 $\mu$ F
344	C1004	T6D	ECC18104K000	0.1 $\mu$ F
345	C1005	T7E	ECC18104K000	0.1 $\mu$ F
346	C1015	T6C	ECC18104K000	0.1 $\mu$ F
347	C1040	T5C	ECC18104K000	0.1 $\mu$ F
348	C1108	T5C	ECC18104K000	0.1 $\mu$ F
349	C1115	T4C	ECC18104K000	0.1 $\mu$ F
350	C3151	B1E	ECC18104K000	0.1 $\mu$ F
351	C8037	B7B	ECC18104K000	0.1 $\mu$ F
352	C8040	B10B	ECC18104K000	0.1 $\mu$ F
353	C8055	T10H	ECC18104K000	0.1 $\mu$ F
354	C1014	T6C	ECC21224K000	0.22 $\mu$ F
355	C6111	B13I	ECC21224K000	0.22 $\mu$ F
356	C2001	B3I	ECC15224K000	0.22 $\mu$ F
357	C2005	B3I	ECC15224K000	0.22 $\mu$ F
358	C2009	B3I	ECC15224K000	0.22 $\mu$ F
359	C2021	B3I	ECC15224K000	0.22 $\mu$ F
360	C2025	B3I	ECC15224K000	0.22 $\mu$ F
361	C2029	B3I	ECC15224K000	0.22 $\mu$ F
362	C2045	B2I	ECC15224K000	0.22 $\mu$ F
363	C3016	B6H	ECC15224K000	0.22 $\mu$ F
364	C3025	B5I	ECC15224K000	0.22 $\mu$ F
365	C3090	T3G	ECC15224K000	0.22 $\mu$ F
366	C3098	T3G	ECC15224K000	0.22 $\mu$ F
367	C3100	T3G	ECC15224K000	0.22 $\mu$ F
368	C3130	T2G	ECC15224K000	0.22 $\mu$ F
369	C3120	T2F	ECC15474K000	0.47 $\mu$ F
370	C3121	T2G	ECC15474K000	0.47 $\mu$ F
371	C3133	T2F	ECC15474K000	0.47 $\mu$ F
372	C4074	T2K	ECC15474K000	0.47 $\mu$ F
373	C4081	T2K	ECC15474K000	0.47 $\mu$ F
374	C6178	B10K	ECC15474K000	0.47 $\mu$ F
375	C6149	B14K	ECC21684K000	0.68 $\mu$ F
376	C7113	T9K	ECC1575BB001	0.75 pF
377	R6004	B13J	ERC02122F000	1.2 k $\Omega$
378	R6006	B12J	ERC02122F000	1.2 k $\Omega$
379	R6017	B13G	ERC02122F000	1.2 k $\Omega$

No.	Ref. No.	Print No.	Part No.	Description
380	R6023	B14H	ERC02122F000	1.2 kΩ
381	R6041	B14J	ERC02122F000	1.2 kΩ
382	R6061	T13B	ERC02152J000	1.5 kΩ
383	C4113	T2C	ECC1515AB000	1.5 pF
384	C7076	B10K	ECC1515AB000	1.5 pF
385	R6048	B14K	ERC02182J000	1.8 kΩ
386	C6215	B11K	ECC1518AB000	1.8 pF
387	C8093	T12D	ECC2218AC000	1.8 pF
388	C8096	T12B	ECC2218AC000	1.8 pF
389	C1007	T6E	ECC15102K000	1000 pF
390	C2034	T7I	ECC15102K000	1000 pF
391	C2035	T6I	ECC15102K000	1000 pF
392	C2042	T6I	ECC15102K000	1000 pF
393	C2060	T1I	ECC15102K000	1000 pF
394	C2161	T7I	ECC15102K000	1000 pF
395	R4004	B7I	ERC02104F000	100 kΩ
396	R4037	T2K	ERC02104F000	100 kΩ
397	R5124	T5B	ERC02104F000	100 kΩ
398	R6047	B15K	ERC02104F000	100 kΩ
399	R7001	B8J	ERC02104F000	100 kΩ
400	R7002	B9J	ERC02104F000	100 kΩ
401	R8010	T14G	ERC02104F000	100 kΩ
402	R8011	T14G	ERC02104F000	100 kΩ
403	R8015	T14G	ERC02104F000	100 kΩ
404	R8131	T13G	ERC02104F000	100 kΩ
405	R8148	T14G	ERC02104F000	100 kΩ
406	R8149	T14G	ERC02104F000	100 kΩ
407	L6026	B15H	ELW18101G000	100 nH
408	L6054	T12J	ELW18101G000	100 nH
409	L6056	T12K	ELW18101G000	100 nH
410	L7012	T8J	ELW18101G000	100 nH
411	C1006	T7E	ECC15101J000	100 pF
412	C1044	T12G	ECC15101J000	100 pF
413	C1062	T12G	ECC15101J000	100 pF
414	C1071	T3E	ECC15101J000	100 pF
415	C2032	T4K	ECC15101J000	100 pF
416	C2077	T4J	ECC15101J000	100 pF
417	C2081	T4H	ECC15101J000	100 pF

No.	Ref. No.	Print No.	Part No.	Description
418	C2086	T4H	ECC15101J000	100 pF
419	C2087	T3J	ECC15101J000	100 pF
420	C2089	T3J	ECC15101J000	100 pF
421	C2092	T5I	ECC15101J000	100 pF
422	C2093	T4I	ECC15101J000	100 pF
423	C2109	B4J	ECC15101J000	100 pF
424	C2110	T4J	ECC15101J000	100 pF
425	C2111	T4J	ECC15101J000	100 pF
426	C2119	T4J	ECC15101J000	100 pF
427	C2121	B4J	ECC15101J000	100 pF
428	C2122	T5K	ECC15101J000	100 pF
429	C3142	T3G	ECC15101J000	100 pF
430	C3143	T3F	ECC15101J000	100 pF
431	C3144	T3G	ECC15101J000	100 pF
432	C3145	T3F	ECC15101J000	100 pF
433	C4065	T2C	ECC15101J000	100 pF
434	C5000	B2D	ECC15101J000	100 pF
435	C5001	B2D	ECC15101J000	100 pF
436	C5002	B2D	ECC15101J000	100 pF
437	C5004	B3H	ECC15101J000	100 pF
438	C5005	B3H	ECC15101J000	100 pF
439	C5006	B3H	ECC15101J000	100 pF
440	C5011	B5I	ECC15101J000	100 pF
441	C5019	T4A	ECC15101J000	100 pF
442	C5025	T5A	ECC15101J000	100 pF
443	C5030	T2B	ECC15101J000	100 pF
444	C5032	T4B	ECC15101J000	100 pF
445	C5033	T4B	ECC15101J000	100 pF
446	C5034	T4B	ECC15101J000	100 pF
447	C5035	T4B	ECC15101J000	100 pF
448	R5069	B3D	ERC02103F000	10 kΩ
449	R5083	B3D	ERC02103F000	10 kΩ
450	R5093	T1B	ERC02103F000	10 kΩ
451	R5095	B5J	ERC02103F000	10 kΩ
452	R5114	B3B	ERC02103F000	10 kΩ
453	R5122	T5C	ERC02103F000	10 kΩ
454	R6011	B14F	ERC02103F000	10 kΩ
455	R6019	B14G	ERC02103F000	10 kΩ

No.	Ref. No.	Print No.	Part No.	Description
456	R6021	B12G	ERC02103F000	10 kΩ
457	R6026	B12F	ERC02103F000	10 kΩ
458	R6028	B12F	ERC02103F000	10 kΩ
459	R6031	B12G	ERC02103F000	10 kΩ
460	R6032	B14G	ERC02103F000	10 kΩ
461	R6038	T14H	ERC02103F000	10 kΩ
462	R6050	B14K	ERC02103F000	10 kΩ
463	R6081	B12F	ERC02103F000	10 kΩ
464	R6082	B14F	ERC02103F000	10 kΩ
465	R6083	B14F	ERC02103F000	10 kΩ
466	R7023	B10I	ERC02103F000	10 kΩ
467	R7045	T10K	ERC02103F000	10 kΩ
468	R7048	B8J	ERC02103F000	10 kΩ
469	R7051	B8I	ERC02103F000	10 kΩ
470	R8026	T13F	ERC02103F000	10 kΩ
471	R8032	T14F	ERC02103F000	10 kΩ
472	R8133	T14G	ERC02103F000	10 kΩ
473	R8139	T13G	ERC02103F000	10 kΩ
474	R8140	T13F	ERC02103F000	10 kΩ
475	R8142	T13G	ERC02103F000	10 kΩ
476	R8144	T13G	ERC02103F000	10 kΩ
477	R1027	T5D	ERC03103J000	10 kΩ
478	L6011	B14G	ELW18100G000	10 nH
479	L7017	T8J	ELW18100G000	10 nH
480	R8073	T8H	ELW18100G000	10 nH
481	L7024	T8I	ELW18100G000	10 nH
482	L7025	T8I	ELW18100G000	10 nH
483	C1024	T6G	ECC15100G000	10 pF
484	C3075	T4G	ECC15100G000	10 pF
485	C3040	B4G	ECC18105K000	1 μF
486	C3051	B4G	ECC18105K000	1 μF
487	C3056	B3G	ECC18105K000	1 μF
488	C3059	B4G	ECC18105K000	1 μF
489	C3067	B3F	ECC18105K000	1 μF
490	C3138	T3G	ECC18105K000	1 μF
491	C3139	T3F	ECC18105K000	1 μF
492	C3140	T3G	ECC18105K000	1 μF
493	C3141	T3F	ECC18105K000	1 μF

No.	Ref. No.	Print No.	Part No.	Description
494	C4009	B6J	ECC18105K000	1 $\mu$ F
495	C4016	B6I	ECC18105K000	1 $\mu$ F
496	C6001	B12K	ECC18105K000	1 $\mu$ F
497	C7000	B8J	ECC18105K000	1 $\mu$ F
498	C8048	B8G	ECC18105K000	1 $\mu$ F
499	C8134	B8F	ECC18105K000	1 $\mu$ F
500	L6037	T15I	ELL18102K000	1 $\mu$ H
501	R1023	T6D	ERC02222F000	2.2 k $\Omega$
502	R1024	T6C	ERC02222F000	2.2 k $\Omega$
503	R2001	T7I	ERC02222F000	2.2 k $\Omega$
504	R6016	B13G	ERC02222F000	2.2 k $\Omega$
505	R6033	B14H	ERC02222F000	2.2 k $\Omega$
506	R7035	B10K	ERC02222F000	2.2 k $\Omega$
507	R7047	T9J	ERC02222F000	2.2 k $\Omega$
508	R8008	T13G	ERC02222F000	2.2 k $\Omega$
509	R8127	B8B	ERC02222F000	2.2 k $\Omega$
510	L4013	T2B	ELW1822AG000	2.2 nH
511	L4014	T2C	ELW1822AG000	2.2 nH
512	C8099	T13E	ECC2222AC000	2.2 pF
513	C1037	T5H	ECC18225K000	2.2 $\mu$ F
514	C1046	T12H	ECC18225K000	2.2 $\mu$ F
515	C1055	T6H	ECC18225K000	2.2 $\mu$ F
516	C1064	T12H	ECC18225K000	2.2 $\mu$ F
517	C1067	T6G	ECC18225K000	2.2 $\mu$ F
518	C1073	T4E	ECC18225K000	2.2 $\mu$ F
519	C1082	T2J	ECC18225K000	2.2 $\mu$ F
520	C1090	T2D	ECC18225K000	2.2 $\mu$ F
521	C1094	T4F	ECC18225K000	2.2 $\mu$ F
522	C1106	T12H	ECC18225K000	2.2 $\mu$ F
523	C1113	T12I	ECC18225K000	2.2 $\mu$ F
524	C3022	B5H	ECC18225K000	2.2 $\mu$ F
525	C3034	B5I	ECC18225K000	2.2 $\mu$ F
526	C3081	T3G	ECC18225K000	2.2 $\mu$ F
527	C3082	T3G	ECC18225K000	2.2 $\mu$ F
528	R1057	T4C	ERC02203F000	20 k $\Omega$
529	R3013	B6G	ERC02203F000	20 k $\Omega$
530	R3018	B5G	ERC02203F000	20 k $\Omega$
531	R5058	B5B	ERC02203F000	20 k $\Omega$



No.	Ref. No.	Print No.	Part No.	Description
532	R6029	B14H	ERC02203F000	20 kΩ
533	R8037	T13F	ERC02203F000	20 kΩ
534	C2046	T3J	ECC15200J000	20 pF
535	C2048	T3J	ECC15200J000	20 pF
536	C2054	B3J	ECC15200J000	20 pF
537	C2055	B3J	ECC15200J000	20 pF
538	C6127	T14I	ECC15200J000	20 pF
539	C6208	T11J	ECC15200J000	20 pF
540	C7010	B9K	ECC15200J000	20 pF
541	C7087	B9K	ECC15200J000	20 pF
542	C8071	T8H	ECC15200J000	20 pF
543	C4004	B6J	ECC15222K000	2200 pF
544	C4006	B6J	ECC15222K000	2200 pF
545	C6123	B15J	ECC15222K000	2200 pF
546	R8029	T14F	ERC02224J000	220 kΩ
547	C2036	T6I	ECC15221J000	220 pF
548	C2037	T6I	ECC15221J000	220 pF
549	C2063	T4I	ECC15221J000	220 pF
550	C2064	T4I	ECC15221J000	220 pF
551	C2065	B4I	ECC15221J000	220 pF
552	C2070	T4I	ECC15221J000	220 pF
553	C2071	T4J	ECC15221J000	220 pF
554	C2072	T4J	ECC15221J000	220 pF
555	C2074	B4I	ECC15221J000	220 pF
556	C2075	T4I	ECC15221J000	220 pF
557	C2076	T4I	ECC15221J000	220 pF
558	C2078	B4J	ECC15221J000	220 pF
559	C2079	T4I	ECC15221J000	220 pF
560	C2080	T4J	ECC15221J000	220 pF
561	C2084	B4J	ECC15221J000	220 pF
562	C2085	T3H	ECC15221J000	220 pF
563	C2088	T4J	ECC15221J000	220 pF
564	C2090	B3J	ECC15221J000	220 pF
565	C3036	B4G	ECC32226K000	22 μF
566	C3038	B4F	ECC32226K000	22 μF
567	C3045	B2H	ECC32226K000	22 μF
568	C3113	B1E	ECC32226K000	22 μF
569	C5017	B3B	ECC32226K000	22 μF

No.	Ref. No.	Print No.	Part No.	Description
570	C8043	B10B	ECC32226M001	22 $\mu$ F
571	L6017	B12G	ELW18271G000	270 nH
572	L6027	B14I	ELL18271K000	270 nH
573	C2003	B3I	ECC15271J001	270 pF
574	C2007	B4I	ECC15271J001	270 pF
575	C2011	B3I	ECC15271J001	270 pF
576	C2015	B3I	ECC15271J001	270 pF
577	C2019	B3I	ECC15271J001	270 pF
578	C2023	B3I	ECC15271J001	270 pF
579	C2027	B3I	ECC15271J001	270 pF
580	C2031	B3I	ECC15271J001	270 pF
581	C5009	B5B	ECC15271J001	270 pF
582	C5041	B3K	ECC15271J001	270 pF
583	C5042	B3K	ECC15271J001	270 pF
584	C5043	B3K	ECC15271J001	270 pF
585	C6132	B13J	ECC15271J001	270 pF
586	C6133	B13J	ECC15271J001	270 pF
587	C6134	B13J	ECC15271J001	270 pF
588	C7115	T9J	ECC15271J001	270 pF
589	C8026	B11F	ECC15271J001	270 pF
590	C8029	B11F	ECC15271J001	270 pF
591	C8033	T13F	ECC15271J001	270 pF
592	C8036	T13F	ECC15271J001	270 pF
593	C8173	T13G	ECC15271J001	270 pF
594	C8051	T8F	ECC18271J000	270 pF
595	C8082	T10F	ECC18271J000	270 pF
596	R1039	T5C	ERC02273J000	27 k $\Omega$
597	L6003	B13J	ELW18270J000	27 nH
598	C6094	B14H	ECC15270J000	27 pF
599	C6095	B14H	ECC15270J000	27 pF
600	C7083	B10K	ECC15270J000	27 pF
601	C6204	B10J	ECC15270J000	27 pF
602	R8129	T14G	ERC02202J000	2 k $\Omega$
603	C7074	B10K	ECC1520AB000	2 pF
604	C7088	B9K	ECC1520AB000	2 pF
605	Q8001	T13G	ETPS03060000	PNP transistor
606	Q8007	T13H	ETPS03060000	PNP transistor
607	Q5011	B6B	ETPS01010000	PNP transistor

No.	Ref. No.	Print No.	Part No.	Description
608	Q1001	T12F	ETPS03070000	PNP transistor
609	Q5012	B2B	ETPS03070000	PNP transistor
610	Q8002	B8G	ETPS03070000	PNP transistor
611	Q6006	T15I	ETNS06010000	NPN transistor
612	Q5018	B5B	ETNS03010000	NPN transistor
613	Q6005	T15H	ETNS03010000	NPN transistor
614	Q6008	B11K	ETNS03010000	NPN transistor
615	Q7001	T9J	ETNS03010000	NPN transistor
616	Q7007	T8J	ETNS03010000	NPN transistor
617	Q8000	T13G	ETNS03010000	NPN transistor
618	Q3020	B2E	ETNS03010000	NPN transistor
619	Q6012	B10J	ETNS06010001	NPN transistor
620	Q7003	B9J	ETNS06010001	NPN transistor
621	Q1010	T4B	EFNS06010000	N-MOSFET
622	Q3003	B3G	EFNS06010000	N-MOSFET
623	Q3005	B3G	EFNS06010000	N-MOSFET
624	Q5016	B5B	EFNS06010000	N-MOSFET
625	Q5017	B5B	EFNS06010000	N-MOSFET
626	Q8010	B10F	EFNS06010000	N-MOSFET
627	Q8011	T8H	EFNS06010000	N-MOSFET
628	D1000	T6B	EDES09040000	TVS diode
629	R5055	B5A	ERC02332J000	3.3 k $\Omega$
630	R6059	B10J	ERC02332J000	3.3 k $\Omega$
631	R8088	B9F	ERC02332J000	3.3 k $\Omega$
632	R8145	B10F	ERC02332J000	3.3 k $\Omega$
633	C7018	B9J	ECC1833AB000	3.3 pF
634	C7026	B9J	ECC1833AB000	3.3 pF
635	L6039	B14K	ELW21332K000	3.3 $\mu$ H
636	C6029	B13F	ECC1536AB000	3.6 pF
637	C6197	B10J	ECC1836AB000	3.6 pF
638	C7021	B10J	ECC1836AB000	3.6 pF
639	R8030	B11F	ERC02392J000	3.9 k $\Omega$
640	R3037	B4G	ERC02303J000	30 k $\Omega$
641	R3041	B3G	ERC02303J000	30 k $\Omega$
642	R3098	T3G	ERC02303J000	30 k $\Omega$
643	R3099	T3F	ERC02303J000	30 k $\Omega$
644	R3100	T3G	ERC02303J000	30 k $\Omega$
645	R3101	T3F	ERC02303J000	30 k $\Omega$

No.	Ref. No.	Print No.	Part No.	Description
646	R6030	B15H	ERC02303J000	30 kΩ
647	R6034	B15H	ERC02303J000	30 kΩ
648	C7075	B10K	ELW15300G000	30 nH
649	C6145	B14K	ECC18332K000	3300 pF
650	R8024	T14G	ERC02334F000	330 kΩ
651	L6034	T14I	ELW18331G000	330 nH
652	L2002	T6I	ELW18331G000	330 nH
653	L6053	B10K	ELW18331G000	330 nH
654	L6055	B10J	ELW18331G000	330 nH
655	L6057	B10I	ELW18331G000	330 nH
656	L6064	B10J	ELW18331G000	330 nH
657	L7001	B9K	ELW18331G000	330 nH
658	L7002	B9J	ELW18331G000	330 nH
659	L7003	B9I	ELW18331G000	330 nH
660	L7008	B10J	ELW18331G000	330 nH
661	C7114	T9K	ECC15331J000	330 pF
662	R5044	B5A	ERC02333F000	33 kΩ
663	R8036	T14F	ERC02333F000	33 kΩ
664	R1001	T6C	ERC02333F000	33 kΩ
665	R4016	B6I	ERC02333F000	33 kΩ
666	L6067	B11K	ELW18330G000	33 nH
667	C6058	B14G	ECC15330J000	33 pF
668	C6096	B14I	ECC15330J000	33 pF
669	C6120	T14H	ECC18330J000	33 pF
670	R8016	T13G	ERC02363J000	36 kΩ
671	C8060	T9E	ECC22360J000	36 pF
672	C8077	T10E	ECC22360J000	36 pF
673	R1016	T6G	ERC02394F000	390 kΩ
674	L7039	T9K	ELW18391G001	390 nH
675	R8017	T13G	ERC02393J000	39 kΩ
676	R8070	T15A	ERC06393J000	39 kΩ
677	L6058	T12K	ELW18390G000	39 nH
678	L6059	T11K	ELW18390G000	39 nH
679	L4006	T2C	ELW18390G000	39 nH
680	C3037	B4G	ECC15390J000	39 pF
681	C6119	T14I	ECC15390J000	39 pF
682	C6143	B14K	ECC18390J000	39 pF
683	R3050	B4I	ERC02302J000	3 kΩ

No.	Ref. No.	Print No.	Part No.	Description
684	R3052	B4I	ERC02302J000	3 kΩ
685	R3108	B7I	ERC02302J000	3 kΩ
686	R3110	B7I	ERC02302J000	3 kΩ
687	R8028	T14F	ERC02302J000	3 kΩ
688	R8147	T14G	ERC02302J000	3 kΩ
689	C6006	B13J	ECC1530AB000	3 pF
690	C6007	B13J	ECC1530AB000	3 pF
691	C7069	T8I	ECC1530AB000	3 pF
692	C7070	T8I	ECC1530AB000	3 pF
693	C6191	B10J	ECC1830AB000	3 pF
694	C6209	T12J	ECC1545AB000	4.5 pF
695	C6210	T12J	ECC1545AB000	4.5 pF
696	R1014	T12F	ERC02472J000	4.7 kΩ
697	R1048	T5D	ERC02472J000	4.7 kΩ
698	R1055	T4D	ERC02472J000	4.7 kΩ
699	R2006	B2J	ERC02472J000	4.7 kΩ
700	R2007	B2I	ERC02472J000	4.7 kΩ
701	R2062	T4J	ERC02472J000	4.7 kΩ
702	R2063	T4J	ERC02472J000	4.7 kΩ
703	R2091	B2H	ERC02472J000	4.7 kΩ
704	R2103	T4K	ERC02472J000	4.7 kΩ
705	R5001	B4F	ERC02472J000	4.7 kΩ
706	R5016	B5D	ERC02472J000	4.7 kΩ
707	R5017	B6D	ERC02472J000	4.7 kΩ
708	R5041	B6B	ERC02472J000	4.7 kΩ
709	R5056	B4J	ERC02472J000	4.7 kΩ
710	R5065	B4J	ERC02472J000	4.7 kΩ
711	R5072	B2J	ERC02472J000	4.7 kΩ
712	R5075	B6D	ERC02472J000	4.7 kΩ
713	R8044	B8G	ERC02472J000	4.7 kΩ
714	R8084	T13H	ERC02472J000	4.7 kΩ
715	L6014	B14G	ELW1847AD000	4.7 nH
716	R8066	T9H	ELW1847AD000	4.7 nH
717	C7081	B10K	ECC1547AB000	4.7 pF
718	C8098	T12D	ECC2247AC000	4.7 pF
719	C1045	T12G	ECC21475K000	4.7 μF
720	C1063	T12G	ECC21475K000	4.7 μF
721	C1072	T3E	ECC21475K000	4.7 μF

No.	Ref. No.	Print No.	Part No.	Description
722	C4058	T2D	ECC21475K000	4.7 $\mu$ F
723	C6122	T15H	ECC21475K000	4.7 $\mu$ F
724	C6158	B10K	ECC21475K000	4.7 $\mu$ F
725	C7011	T9J	ECC21475K000	4.7 $\mu$ F
726	L6036	B15J	ELL21472K000	4.7 $\mu$ H
727	R8027	T13F	ERC02433J000	43 k $\Omega$
728	C8144	T11C	ECC18472K000	4700 pF
729	R3059	B4H	ERC02474J000	470 k $\Omega$
730	L6024	B14H	ELL18471K000	470 nH
731	L2001	T6I	ELW18471G000	470 nH
732	L8000	T14F	ELW18471G000	470 nH
733	L8001	T14G	ELW18471G000	470 nH
734	R8003	T14F	ELW18471G000	470 nH
735	C1010	T6C	ECC15471J000	470 pF
736	C2061	B3I	ECC15471J000	470 pF
737	C3014	T2F	ECC15471J000	470 pF
738	C3017	B4H	ECC15471J000	470 pF
739	C3018	B4G	ECC15471J000	470 pF
740	C3030	B4F	ECC15471J000	470 pF
741	C3031	B4F	ECC15471J000	470 pF
742	C3041	B4F	ECC15471J000	470 pF
743	C3042	B3F	ECC15471J000	470 pF
744	C3044	B2H	ECC15471J000	470 pF
745	C3071	B4H	ECC15471J000	470 pF
746	C3072	B4H	ECC15471J000	470 pF
747	C3091	T3G	ECC15471J000	470 pF
748	C3092	T3G	ECC15471J000	470 pF
749	C3102	T3G	ECC15471J000	470 pF
750	C3103	T3G	ECC15471J000	470 pF
751	C3104	T3G	ECC15471J000	470 pF
752	C3105	T3H	ECC15471J000	470 pF
753	C4069	T1D	ECC15471J000	470 pF
754	C4104	T1D	ECC15471J000	470 pF
755	C5062	T3D	ECC15471J000	470 pF
756	C6100	B14I	ECC15471J000	470 pF
757	C6118	T15H	ECC15471J000	470 pF
758	C6164	T12I	ECC15471J000	470 pF
759	R5043	B4D	ERC02822J000	8.2 k $\Omega$

No.	Ref. No.	Print No.	Part No.	Description
760	R5047	B4F	ERC02822J000	8.2 kΩ
761	R5049	B6E	ERC02822J000	8.2 kΩ
762	R5050	B6E	ERC02822J000	8.2 kΩ
763	R5052	B4J	ERC02822J000	8.2 kΩ
764	R5070	B4D	ERC02822J000	8.2 kΩ
765	R5084	B4E	ERC02822J000	8.2 kΩ
766	R5128	B2J	ERC02822J000	8.2 kΩ
767	R6045	T14I	ERC02822J000	8.2 kΩ
768	R6065	B10J	ERC02822J000	8.2 kΩ
769	R6076	T12J	ERC02822J000	8.2 kΩ
770	R7007	B9J	ERC02822J000	8.2 kΩ
771	R8062	B10H	ERC02822J000	8.2 kΩ
772	L7028	B10K	ELW1882AD000	8.2 nH
773	L7029	B10K	ELW1882AD000	8.2 nH
774	C7080	B10K	ECC1582AW000	8.2 pF
775	C8181	T10B	ECC2282AC000	8.2 pF
776	L2003	T6I	ELL18821K000	820 nH
777	L6025	B15H	ELL18821K000	820 nH
778	L7014	T8J	ELL18821K000	820 nH
779	C7119	B8I	ECC15821J000	820 pF
780	L6008	B13F	ELW18820G001	82 nH
781	L6021	B12H	ELW18820G001	82 nH
782	C6129	T14I	ECC18820J000	82 pF
783	C6024	B12J	ECC1580AB000	8 pF
784	C6049	B14F	ECC1580AB000	8 pF
785	C6052	B14F	ECC1580AB000	8 pF
786	C6053	B13H	ECC1580AB000	8 pF
787	C6211	T11J	ECC1580AB000	8 pF
788	C6213	T12I	ECC1580AB000	8 pF
789	C7071	T8J	ECC1580AB000	8 pF
790	C7073	T8I	ECC1580AB000	8 pF
791	C7017	B9J	ECC1880AB000	8 pF
792	R3003	T2F	ERC02912J000	9.1 kΩ
793	R3011	T2G	ERC02912J000	9.1 kΩ
794	R6039	B14I	ERC02912J000	9.1 kΩ
795	R7050	B8I	ERC02912J000	9.1 kΩ
796	L6019	B12G	ELW1591AG000	9.1 nH
797	C6056	B14G	ECC1590AB000	9 pF

No.	Ref. No.	Print No.	Part No.	Description
798	C7025	B9J	ECC1890AB000	9 pF
799	U8001	T14G	ESE002000002	Operational amplifier
800	U8000	T13G	ESE001000000	Operational amplifier
801	U8002	T13F	ESE001000000	Operational amplifier
802	U6002	B14J	ESC001000000	IF processor IC
803	U8004	T8H	ESY009000000	RF amplifier
804	Q8004	T9E	ESA005000002	RF power amplifier
805	Q2002	T6I	ETNS02010000	NPN transistor
806	D1001	T6E	EDXS09010000	Schottky barrier diode
807	D6024	T13B	EDSS17010000	Switching diode
808	D7011	B10K	EDSS17010000	Switching diode
809	D7014	B9K	EDSS17010000	Switching diode
810	D6015	B10I	EDVS05020000	Varactor diode
811	D6017	B10I	EDVS05020000	Varactor diode
812	D7002	B9I	EDVS05020000	Varactor diode
813	D7005	B9I	EDVS05020000	Varactor diode
814	Q6001	B12J	ETNS04030000	NPN transistor
815	Q6002	B13G	ETNS04030000	NPN transistor
816	L3001	B6H	ELF15601Y000	Bead
817	L3003	B5H	ELF15601Y000	Bead
818	L3004	B6I	ELF15601Y000	Bead
819	L3020	T2G	ELF41600Y000	Bead
820	L3021	B3E	ELF41600Y000	Bead
821	L8007	B7C	ELF41600Y000	Bead
822	L8008	B7B	ELF41600Y000	Bead
823	L8011	B10C	ELF41600Y000	Bead
824	L8012	B10C	ELF41600Y000	Bead
825	U3006	T3H	ESJ014000000	Noise reduction IC
826	D8008	B8H	EDWS05040000	Zener diode
827	L1001	T5E	ELC00153N000	15 $\mu$ H
828	L1004	T6H	ELC00622N000	6.2 $\mu$ H
829	L1000	T6E	ELC00103N000	10 $\mu$ H
830	U5004	B4K	EGKS00000000	EMI filter
831	U5005	B4K	EGKS00000000	EMI filter
832	U5006	B4K	EGKS00000000	EMI filter
833	U5007	B3K	EGKS00000000	EMI filter
834	Q1003	B6C	ETPS07030000	PNP transistor
835	D1009	T4C	EDSS03010001	Switching diode



No.	Ref. No.	Print No.	Part No.	Description
836	D6011	T11J	EDSS03010001	Switching diode
837	D7003	B8K	EDSS03010001	Switching diode
838	D8003	T14G	EDSS03010001	Switching diode
839	X7000	T10K	EYDS01925000	TCXO
840	X4001	T3K	EYBS02605002	Crystal oscillator
841	Q1002	T12F	ETBS03040000	Transistor
842	Q1005	T5D	ETBS03040000	Transistor
843	Q1007	T5D	ETBS03040000	Transistor
844	Q1012	T4C	ETBS03040000	Transistor
845	Q1014	T5C	ETBS03040000	Transistor
846	Q2003	T4K	ETBS03040000	Transistor
847	Q5013	B2B	ETBS03040000	Transistor
848	Q5014	T5C	ETBS03040000	Transistor
849	Q8003	B8G	ETBS03040000	Transistor
850	Q8008	T13H	ETBS03040000	Transistor
851	D1007	T4C	EDWS03050000	Zener diode
852	D7010	T8K	EDWS03050004	Zener diode
853	D1006	T5C	EDWS03050003	Zener diode
854	Q1000	T6I	ETCS03020000	Compound transistor
855	Q1009	T4B	ETCS03020000	Compound transistor
856	Q3000	B5F	ETCS03020000	Compound transistor
857	Q3001	B4G	ETCS03020000	Compound transistor
858	Q3002	B4G	ETCS03020000	Compound transistor
859	Q3004	T2G	ETCS03020000	Compound transistor
860	Q6007	B11K	ETCS03020000	Compound transistor
861	Q6009	B11K	ETCS03020000	Compound transistor
862	Q6011	T11I	ETCS03020000	Compound transistor
863	Q6016	T14H	ETCS03020000	Compound transistor
864	Q7000	B8K	ETCS03020000	Compound transistor
865	Q7002	B8K	ETCS03020000	Compound transistor
866	Q7004	B8K	ETCS03020000	Compound transistor
867	Q7008	T11K	ETCS03020000	Compound transistor
868	Q7009	T9K	ETCS03020000	Compound transistor
869	Q5004	T3D	ETCS03020001	Compound transistor
870	Q5020	T13C	ETCS03020001	Compound transistor
871	Q5000	B2D	ETCS03050000	Compound transistor
872	Q5001	B4F	ETCS03050000	Compound transistor
873	Q5002	B6D	ETCS03050000	Compound transistor

No.	Ref. No.	Print No.	Part No.	Description
874	Q5003	B4D	ETCS03050000	Compound transistor
875	Q5005	B4D	ETCS03050000	Compound transistor
876	Q5006	B4J	ETCS03050000	Compound transistor
877	Q5007	B3D	ETCS03050000	Compound transistor
878	Q5008	B2J	ETCS03050000	Compound transistor
879	Q5009	B6D	ETCS03050000	Compound transistor
880	Q5010	B3D	ETCS03050000	Compound transistor
881	Q5019	B5D	ETCS03050000	Compound transistor
882	D5010	T4B	EDES14010000	ESD protection diode
883	D5024	T4B	EDES14010000	ESD protection diode
884	D5025	T2B	EDES14010000	ESD protection diode
885	D5026	T2B	EDES14010000	ESD protection diode
886	U2004	T2I	ESM032000000	Memory
887	D8004	T12A	EDSS11010000	Switching diode
888	D8005	T13B	EDSS11010000	Switching diode
889	U4006	T1C	ESG020000001	GPS module
890	X2000	T3K	EYAS32771001	Crystal
891	BT2000	B1I	EBE000001000	Button cell
892	Q2001	B2H	ETNS07010000	NPN transistor
893	Q1011	T5C	ETPS07010000	PNP transistor
894	Q1013	T4C	ETPS07010000	PNP transistor
895	D3000	B3F	EDES13010000	ESD protection diode
896	D3001	B4F	EDES13010000	ESD protection diode
897	D5002	T4A	EDES13010000	ESD protection diode
898	D5003	T2A	EDES13010000	ESD protection diode
899	D5004	T3A	EDES13010000	ESD protection diode
900	D5005	T3B	EDES13010000	ESD protection diode
901	D5006	T5B	EDES13010000	ESD protection diode
902	D5007	T3B	EDES13010000	ESD protection diode
903	D5011	B3B	EDES13010000	ESD protection diode
904	D5012	T4A	EDES13010000	ESD protection diode
905	D5016	T5J	EDES13010000	ESD protection diode
906	D5017	B6K	EDES13010000	ESD protection diode
907	D5018	B7K	EDES13010000	ESD protection diode
908	D1002	T5F	EDES13010001	ESD protection diode
909	D2002	T3K	EDES13010001	ESD protection diode
910	D5008	T3B	EDES13010001	ESD protection diode
911	D5014	B7K	EDES13010001	ESD protection diode

No.	Ref. No.	Print No.	Part No.	Description
912	D5020	T6J	EDES13010001	ESD protection diode
913	U2005	T5I	SMESM003000001	Memory
914	U8011	T13G	ESE010000001	Operational amplifier
915	U1004	T12G	ESH010000002	Power management IC
916	U1005	T12G	ESH010000002	Power management IC
917	U1008	T4F	ESH010000000	Power management IC
918	U3001	B5G	ESE002000001	Operational amplifier
919	U3004	B4G	ESE002000001	Operational amplifier
920	U1007	T5C	ESE010000000	Operational amplifier
921	U3002	T2G	ESE010000000	Operational amplifier
922	U2007	T5K	ESP014000000	Switch IC
923	U3005	B4I	ESP014000001	Three-way analog switch IC
924	U2001	T4K	ESP025000000	Two-way USB analog switch IC
925	U2000	T3I	ESN002000005	Baseband processor IC
926	Q6003	B15H	ETNS04010000	NPN transistor
927	Q6004	B15H	ETNS04010000	NPN transistor
928	Q6013	T12J	ETNS04010000	NPN transistor
929	Q6014	T12K	ETNS04010000	NPN transistor
930	Q7006	T8J	ETNS04010000	NPN transistor
931	D5019	B4K	EDES06010002	ESD protection diode
932	D2010	B5K	EDES06010003	ESD protection diode
933	D5001	T1B	ESJ025000000	USB protection IC
934	D5013	T6K	ESJ025000000	USB protection IC
935	Q1004	T7C	ETNS04040000	NPN transistor
936	D1005	T4C	EDXS03030000	Schottky barrier diode
937	D2000	B2I	EDXS03030000	Schottky barrier diode
938	D2003	B2I	EDXS03030000	Schottky barrier diode
939	D2004	B2I	EDXS03030000	Schottky barrier diode
940	D5015	B6B	EDXS03030000	Schottky barrier diode
941	Q8006	T9H	EFAS02010000	PA MOSFET
942	Q8005	T10H	EFAS02010001	PA MOSFET
943	U1003	T6H	ESH016000004	Power management IC
944	U1002	T5H	ESH016000003	Power management IC
945	U1009	T1J	ESH016000000	Power management IC
946	U1006	T6G	ESH016000002	Power management IC
947	U1010	T4F	ESH016000002	Power management IC
948	U1011	T2D	ESH016000002	Power management IC
949	U1012	T12H	ESH016000002	Power management IC

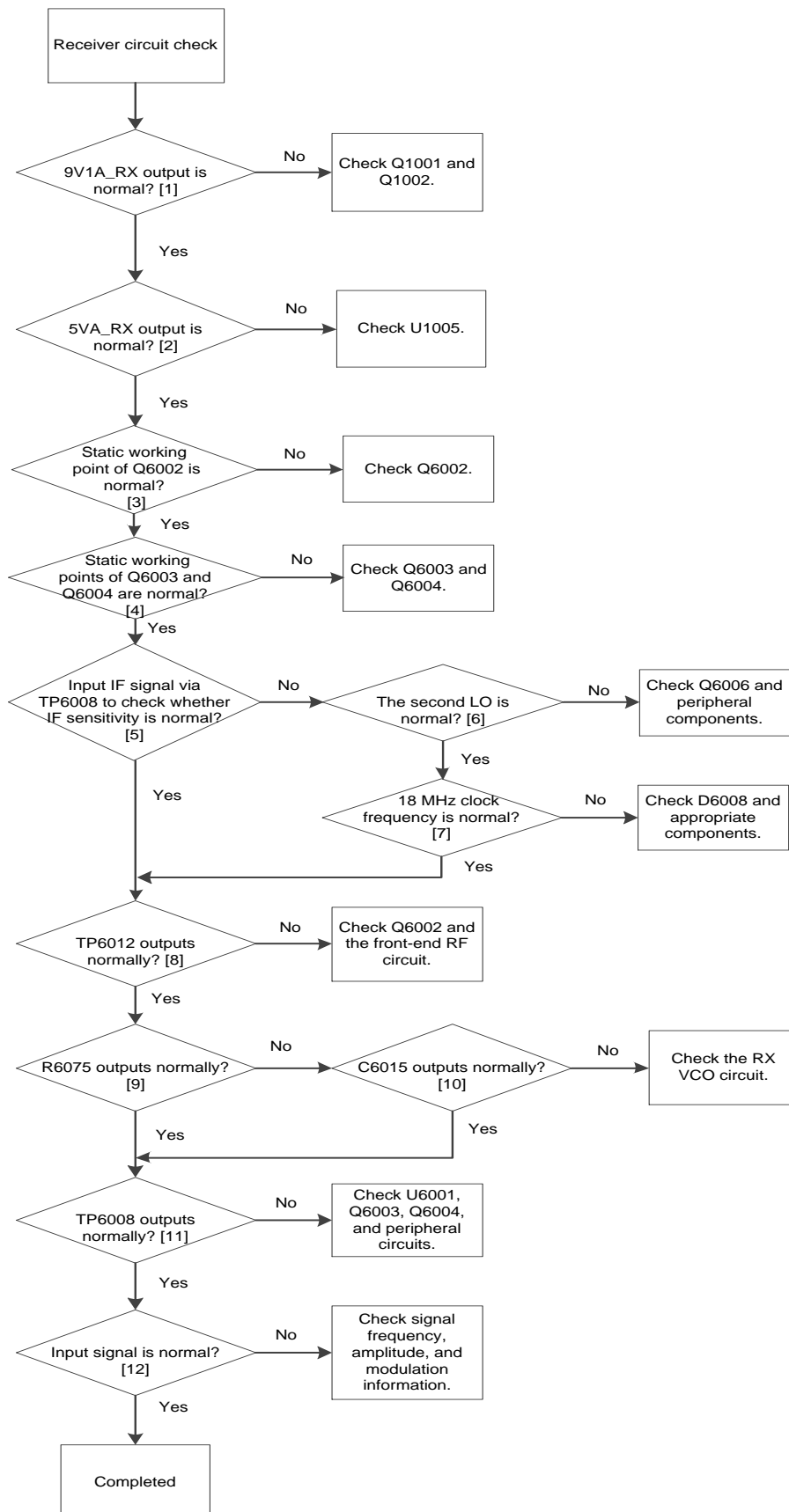
No.	Ref. No.	Print No.	Part No.	Description
950	U1013	T12H	ESH016000002	Power management IC
951	U2008	B2H	ESH016000002	Power management IC
952	Q5015	B5B	EFPS03020000	P-MOSFET
953	U8003	B8B	ESE028000000	Current sense amplifier
954	U7000	T10K	ESD017000000	PLL IC
955	D6002	B12H	ESZ017000000	Mixer IC
956	U2006	T4J	ESR002000000	Logic IC
957	U5000	B3D	ESR002000001	Logic IC
958	U5001	B3H	ESR002000001	Logic IC
959	U5002	B5I	ESR002000001	Logic IC
960	U3003	B5H	ESN002000001	Baseband processor IC
961	U4000	B7I	ESF002000000	D/A converter IC
962	U2003	B2J	ESQ002000001	Reset IC
963	U1000	T6E	ESH002000000	Power management IC
964	U1001	T6G	ESH002000001	Power management IC
965	U3010	T3G	ESP002000000	Analog switch IC
966	U3000	T2G	ESP002000001	Switch IC
967	U3008	T2H	ESP002000001	Switch IC
968	D1008	T4B	EDWS03070001	Zener diode
969	D1004	T5C	EDWS03070000	Zener diode
970	D2001	B2H	EDWS03070000	Zener diode
971	Q6000	B13F	ETCS03080001	Compound transistor
972	U501	T8J	ESY013000000	Buffer amplifier IC
973	U2002	B2I	ESH018000000	Power management IC
974	U4008	T2K	EGGS02447000	SAW filter
975	U4009	T2K	ESB008000000	Bluetooth module
976	X4001	T3K	EYBS02605002	Crystal resonator
977	J1000	/	EJZS00600000	Power socket
978	C1000	/	ECE00477M002	470 $\mu$ F
979	J5000	/	EJZS02600000	D_SUB connector
980	U3009	/	ESV024000000	Audio amplifier IC
981	J4000	/	EMC001000000	RF connector
982	J4001	/	EMC001000000	RF connector
983	J5002	/	EJHS02020000	FPC connector
984	J5001	/	EJBS02000002	Board-to-board connector
985	J5003	/	EJMS00800000	MicroSD card connector
986	S1000	/	MB0005000020	Heat sink
987	W8000	/	EMH001000000	TNC antenna connector

No.	Ref. No.	Print No.	Part No.	Description
988	A1	/	MM0059000200	Shielding can A
989	A2	/	MM0059000200	Shielding can A
990	A3	/	MM0059000200	Shielding can A
991	A4	/	MM0059000200	Shielding can A
992	B1	/	MM0060000200	Shielding can B
993	B2	/	MM0060000200	Shielding can B
994	B3	/	MM0060000200	Shielding can B
995	C1	/	MM0061000200	Shielding can C
996	D1	/	MM0062000200	Shielding can D
997	E1	/	MM0063000200	Shielding can E
998	E2	/	MM0063000200	Shielding can E
999	/	/	EPPH0020800F	PCB

Table 6-2 Parts List of RDR9000 RX Board

## 6.8 Troubleshooting Flow Chart

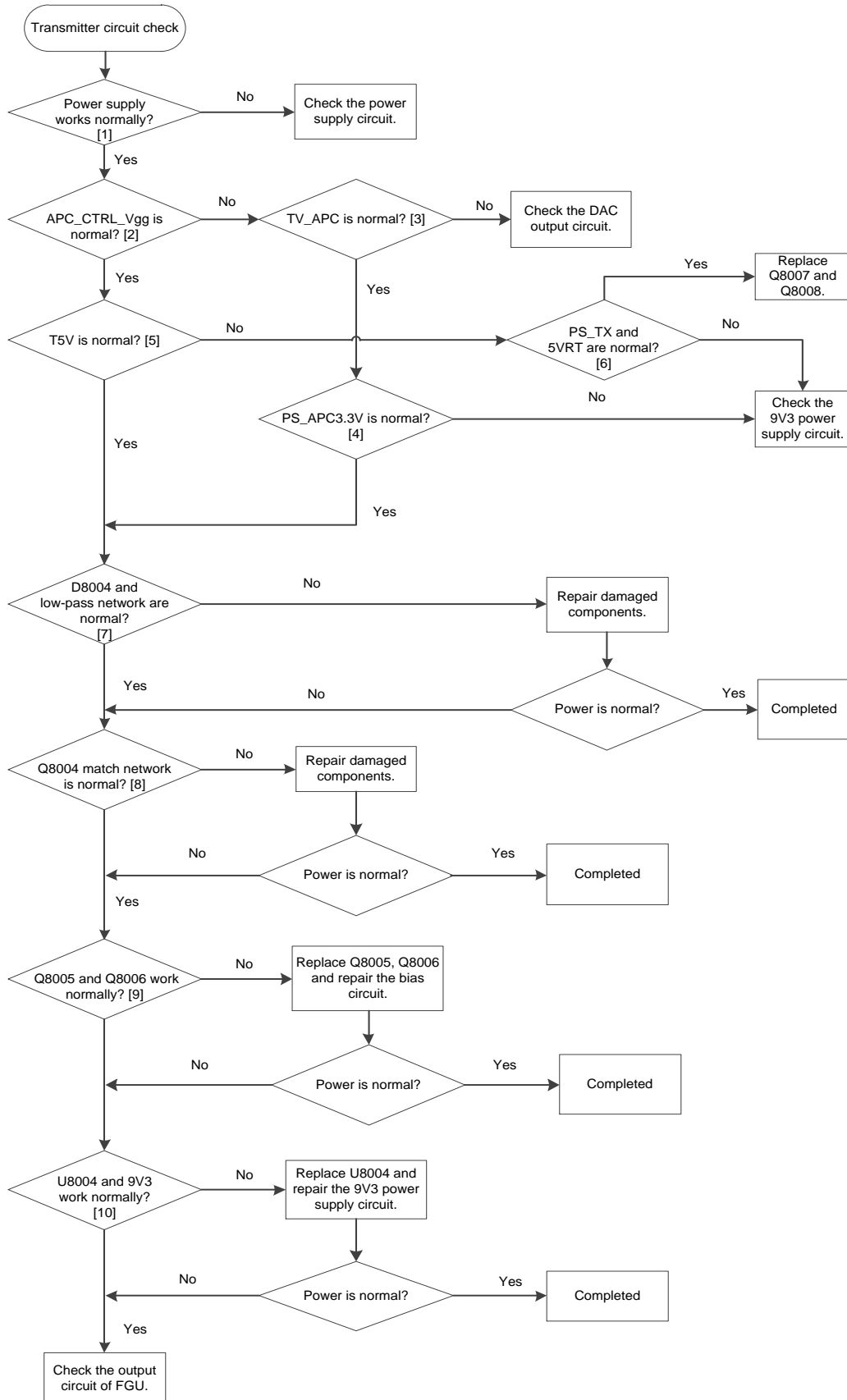
### 6.8.1 Receiver Circuit



## Description of Normal Situations:

- 1) Voltage at L6001: about 9.1 V.
- 2) Voltage at L6022: about 5 V.
- 3) For Q6002, Vbe: about 0.74 V; Vce: about 5.4 V (in the case of no signal reception).
- 4) For Q6003, Vbe: about 0.76 V; Vce: about 1.4 V; for Q6004, Vbe: about 0.7 V; Vce: about 1.55 V (in the case of no signal reception).
- 5) Cut off the front-end circuit, and input a 73.35 MHz IF signal at TP6008 to test IF sensitivity. Normally, the IF sensitivity is -109 dBm.
- 6) Frequency of Q6006: 71.1 MHz.
- 7) Frequency of L6039: 18 MHz.
- 8) Input a -30 dBm RF signal at the antenna connector and test at TP6012. Normally, gain > 11 dB, output signal > -19 dBm.
- 9) Input a -30 dBm RF signal at the antenna connector and test at R6075 (do not cut off the back-end circuit). Normally, gain > 1 dB, output signal > -29 dBm.
- 10) For output signal of C6015, signal frequency:  $F = RF - IF$ , signal amplitude > 14 dBm.
- 11) For input of -80 dBm signal at L6024, gain > 25 dB, output signal > -55 dBm; for input of -30 dBm signal, output signal < -20 dBm.
- 12) The input signal at the antenna connector, with the standard tuning information (AF = 1 kHz, FM = 3 kHz), is -47 dBm.

### 6.8.2 Transmitter Circuit





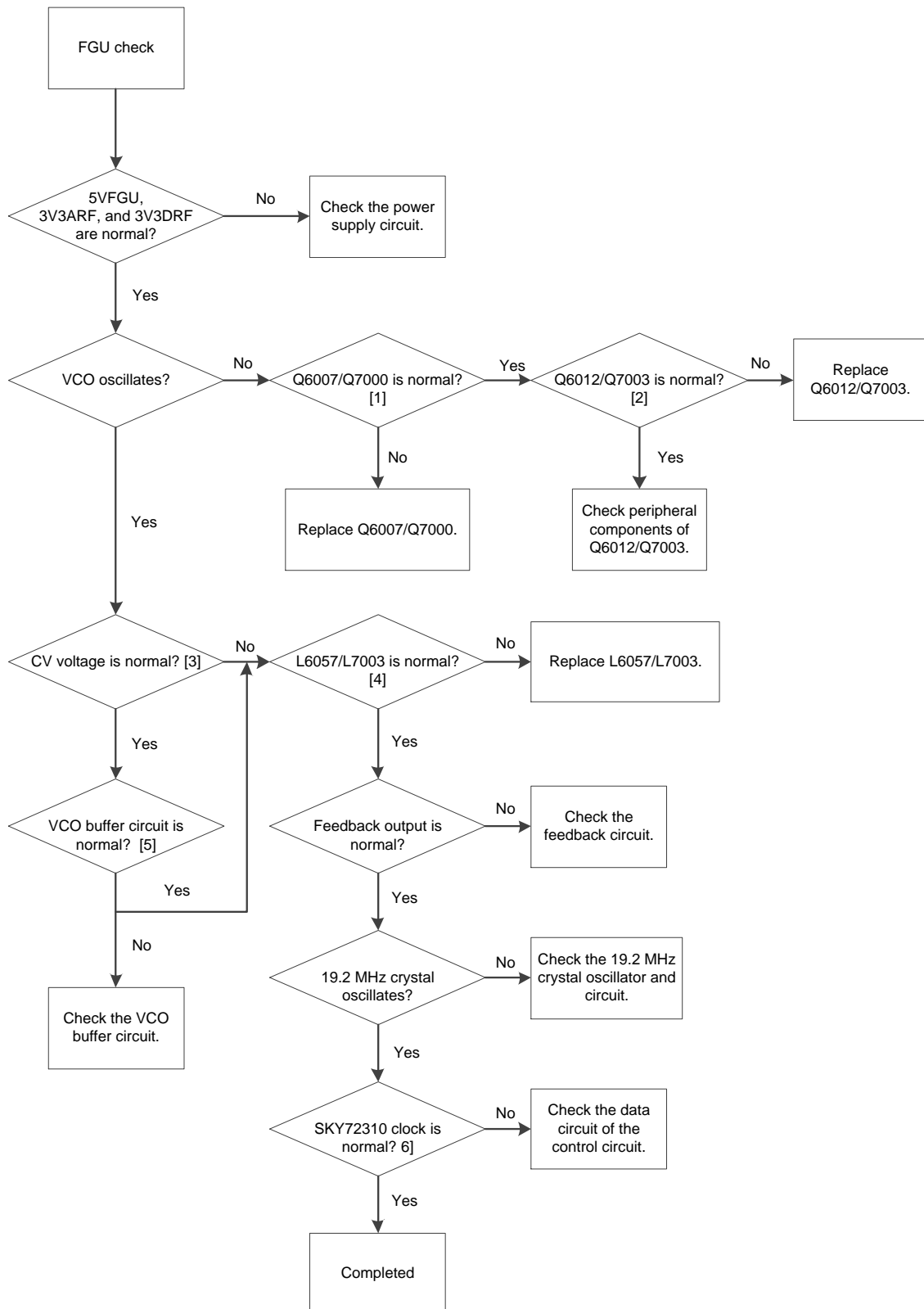
## Descriptions of Normal Situations:

- 1) Voltage of the power supply: about 13.6 V.
- 2) For low power, APC\_CTRL\_Vgg: 1.0-1.2 V; for medium power, APC\_CTRL\_Vgg: 1.4-1.8 V; for high power, APC\_CTRL\_Vgg: 1.8-2.2 V.
- 3) For low power, TV\_APC: 1.2-1.4 V; for medium power, TV\_APC: 1.6-2.0 V; for high power, TV\_APC: 2.0-2.4 V.
- 4) PS\_APC: about 3.3 V.
- 5) T5V: about 5 V.
- 6) PS\_TX: about 3.3 V. 5VRT: about 5 V.
- 7) Start-up voltage of D8004: about 0.7 V. The low-pass coil must be soldered appropriately and remain in good condition.
- 8) PA bias of Q8004 is normal. Input voltage: about 2.8 V, output voltage: 13.6 V, gain: about 12 dB. The components must be soldered appropriately and remain in good condition.
- 9) PA bias of Q8005 is normal. Input voltage: 1.0-1.5 V, output voltage: 9.3 V, gain: about 15 dB. Gain amplifier bias of Q8006 is normal. Input voltage: 1.5-2.3 V, output voltage: 9.3 V, gain: about 15 dB. The components must be soldered appropriately and remain in good condition.
- 10) Gain amplifier bias of U8004 is normal. Output voltage: 1.3 V, gain: about 10 dB. The components must be soldered appropriately and remain in good condition.



**Note:** The above check operations should be performed with the supply voltage of 13.6V.

### 6.8.3 FGU



**Description of Normal Situations:**

- 1) During reception, output voltage at pin 3 of Q6007 and Q6009: about 4 V. During transmission, output voltage at pin 3 of Q7000 and Q7002: about 4 V.
- 2) During reception, voltage at Q6012 E: about 1.8 V. During transmission, voltage at Q7003 E: about 1.8 V.
- 3) The CV value varies with frequencies. The normal value should range from 0.5 V to 4.5 V.
- 4) L6057/L7003 is on.
- 5) During reception, voltage at B of Q6012 and Q6014: about 0.7 V. During transmission, voltage at Q7006 B: about 0.7 V.
- 6) PLL\_98\_CLK outputs 1.92 MHz clock.

## 7. UHF3 (350-400 MHz) Information

### 7.1 Transmitter Circuit

The transmitter circuit mainly consists of:

- RF power amplifier circuit
- Low-pass filter circuit (for suppressing harmonics)
- Auto power control circuit (APC) (including temperature detection circuit)

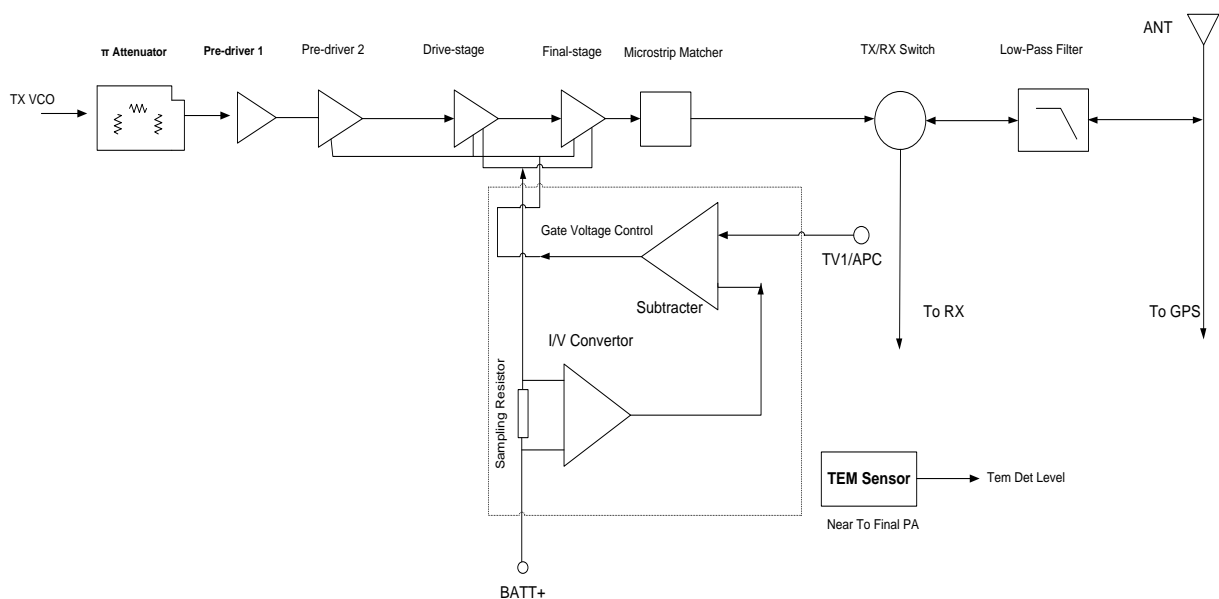


Figure 7-1 Diagram of Transmitter Circuit

#### 7.1.1 RF Power Amplifier Circuit

The carrier signal generated by the TX VCO is modulated and amplified, and then feeds to the transmitter circuit via the following steps:

- Step 1** The signal passes through a  $\pi$ -shaped attenuator first, allowing interstage isolation between the RF power amplifier circuit and the TX VCO.
- Step 2** The signal goes to a pre-driver amplifier (U8004) for pre-amplification, providing further interstage isolation.
- Step 3** The signal goes to a pre-driver amplifier (Q8006) for adequate power amplification, so as to obtain further amplification in the driver amplifier (Q8005).
- Step 4** After being processed by multiple amplifiers, the signal is processed by a microstrip matcher at the output of the final PA (Q8004) to complete output impedance matching, as so to reduce output power loss due to impedance mismatch.
- Step 5** The signal passes through the TX/RX switch (D8004) and goes to the low-pass filter.

### 7.1.2 Low-Pass Filter Circuit

The low-pass filter is a high-order Chebyshev filter composed of lumped-parameter inductors and capacitors. Via this filter, the spurious signal within the stop band can be attenuated as much as possible while the in-band ripple is within the required range.

### 7.1.3 Auto Power Control Circuit

In the auto power control and temperature detection circuit, the drain current from the driver amplifier and final-stage amplifier is converted to voltage via the sampling resistor and subtraction circuit (composed of the first operational amplifier). This voltage is compared with the APC control voltage (output by DAC) at the second operational amplifier. Then the error voltage, which is output by the second operational amplifier, controls TX power by controlling the bias voltage at the gates of the amplifiers (including the driver amplifier and the final-stage amplifier). The temperature sensor detects the surface temperature of the final-stage amplifier, and then converts it to DC voltage. Then the DC voltage is compared with the voltage corresponding to the protection temperature (generally 80% of the extreme temperature) of the amplifier. If the surface temperature is too high, the bias voltage of the amplifier will be reduced until the surface temperature falls below the protection temperature.

## 7.2 Receiver Circuit

The receiver circuit is mainly composed of RF band-pass filter, low-noise amplifier, mixer, IF filter, IF amplifier, and IF processor.

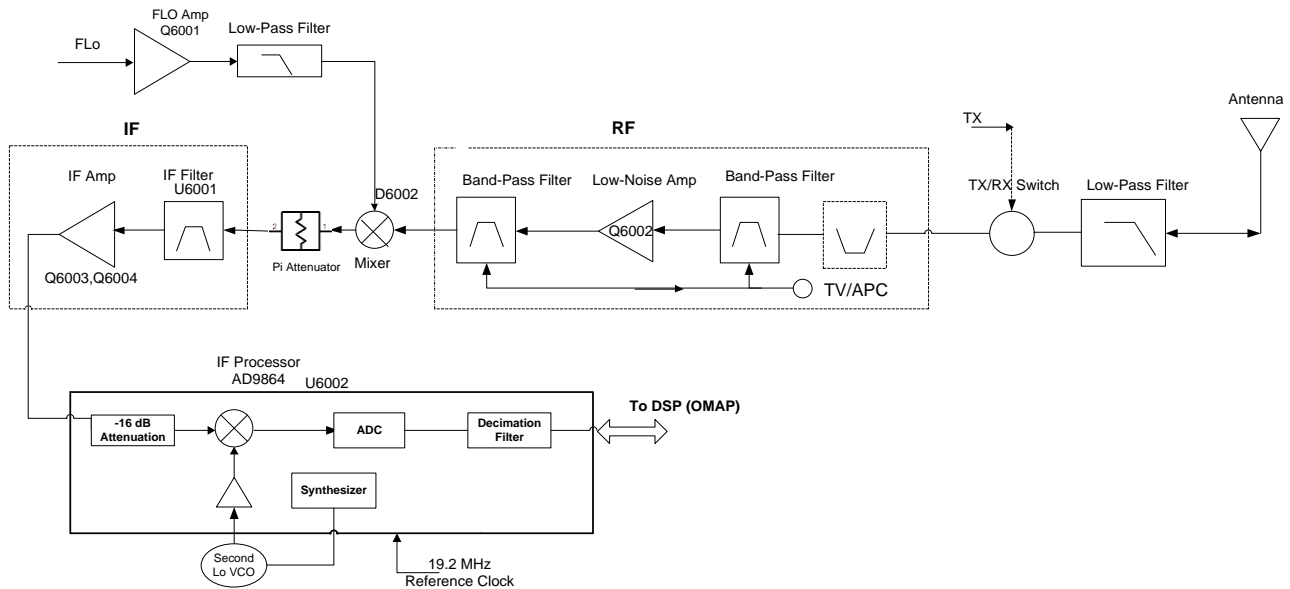


Figure 7-2 Diagram of Receiver Circuit

### 7.2.1 Receiver Front-End

The HF signal from the low-pass filter passes through the first-level band-pass filter, to remove out-of-band interference signal and to send wanted band-pass signal to the low-noise amplifier (Q6002). The amplified signal goes to the second-level band-pass filter, to remove out-of-band interference signal generated during amplification, and to send wanted HF signal to the mixer (D6002). In the mixer, the wanted signal and the first LO signal are mixed to generate the first IF signal (73.35 MHz). Then the signal passes through a  $\pi$ -shaped attenuator and the LC, to suppress carrier other than the first IF signal, and to increase the isolation between the mixer and the IF filter. After that, the first IF signal is processed by the crystal filter (U6001), and is sent to the two-stage IF amplifier circuit (composed of Q6003 and Q6004) for amplification. Then the amplified signal goes to the IF processor AD9864 (U6002) for processing.

### 7.2.2 Receiver Back-End

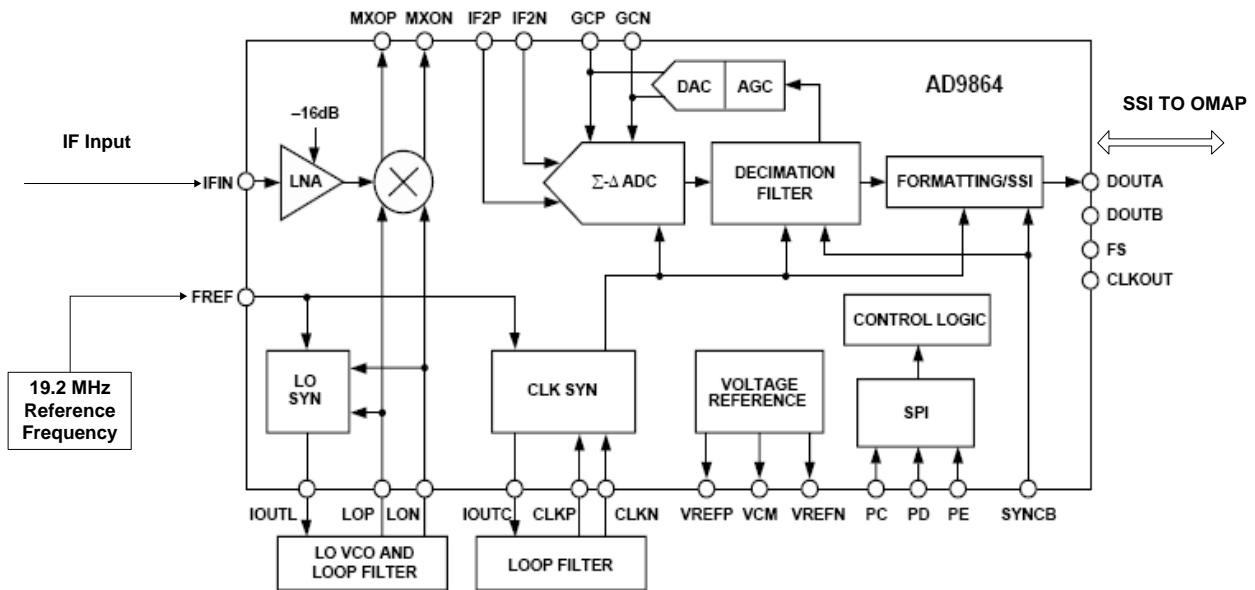


Figure 7-3 Diagram of IF Processor

The first IF signal (73.35 MHz) output by the IF amplifier goes into AD9864 (U6002) via pin 47, where the signal is converted to the second IF signal (2.25 MHz). Then the signal is converted to digital signal via ADC sampling, and output via the SSI interface. Finally, the digital signal is sent to DSP (OMAP-L138) for demodulation. AD9864 employs reference frequency of 19.2 MHz and shares the crystal with the OMAP. The second LO VCO is composed of an oscillator, a varactor diode and some other components, to provide the 71.1/75.6 MHz LO signal. The 18 MHz clock frequency is generated by the LC resonance loop.

### 7.3 FGU

The Frequency Generation Unit (FGU) comprises VCO and PLL. It is the core module of the whole TX-RX system. This circuit provides accurate carrier frequency during transmission, and stable LO signal during reception. It has a direct influence on the performance of the system.

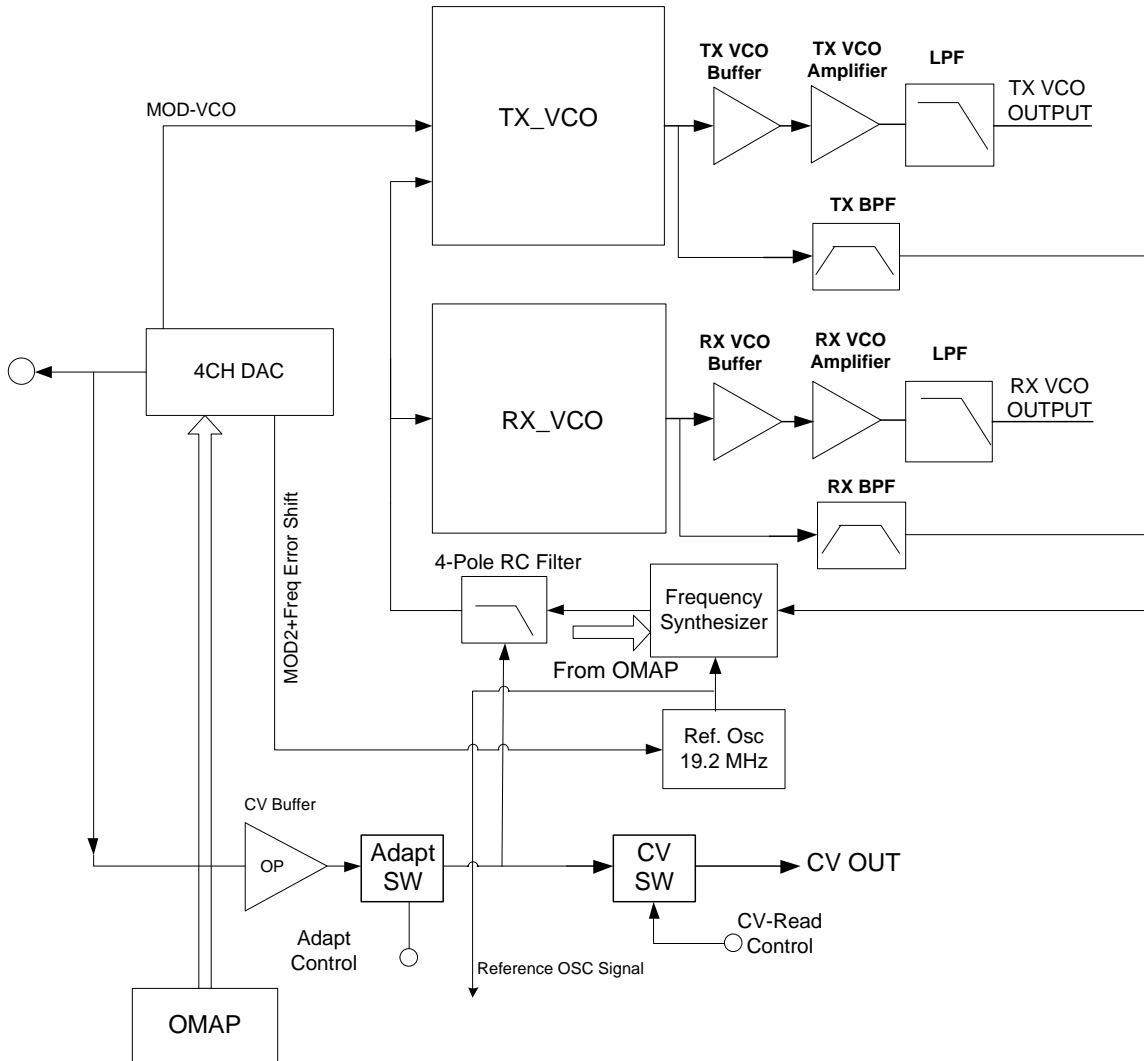


Figure 7-4 Diagram of FGU

#### 7.3.1 Working Principle of PLL

The 19.2 MHz frequency generated by the reference crystal oscillator goes to PLL for division, generating the reference frequency (i.e. step frequency  $f_1$ ). Meanwhile, the frequency generated by VCO generates another frequency ( $f_2$ ) through the frequency divider in PLL. Then frequencies  $f_1$  and  $f_2$  are compared in the phase detector (PD), to generate continuous pulse current. The current goes to the loop filter for RC integration, and is then converted to



CV voltage. Then the CV voltage is sent to the varactor diode of VCO. It adjusts the output frequency of VCO directly until the CV voltage becomes constant. Then the PLL is locked, and the stable frequency output by VCO goes to the TX-RX channel after passing through two buffer amplifiers.

### 7.3.2 Working Principle of VCO

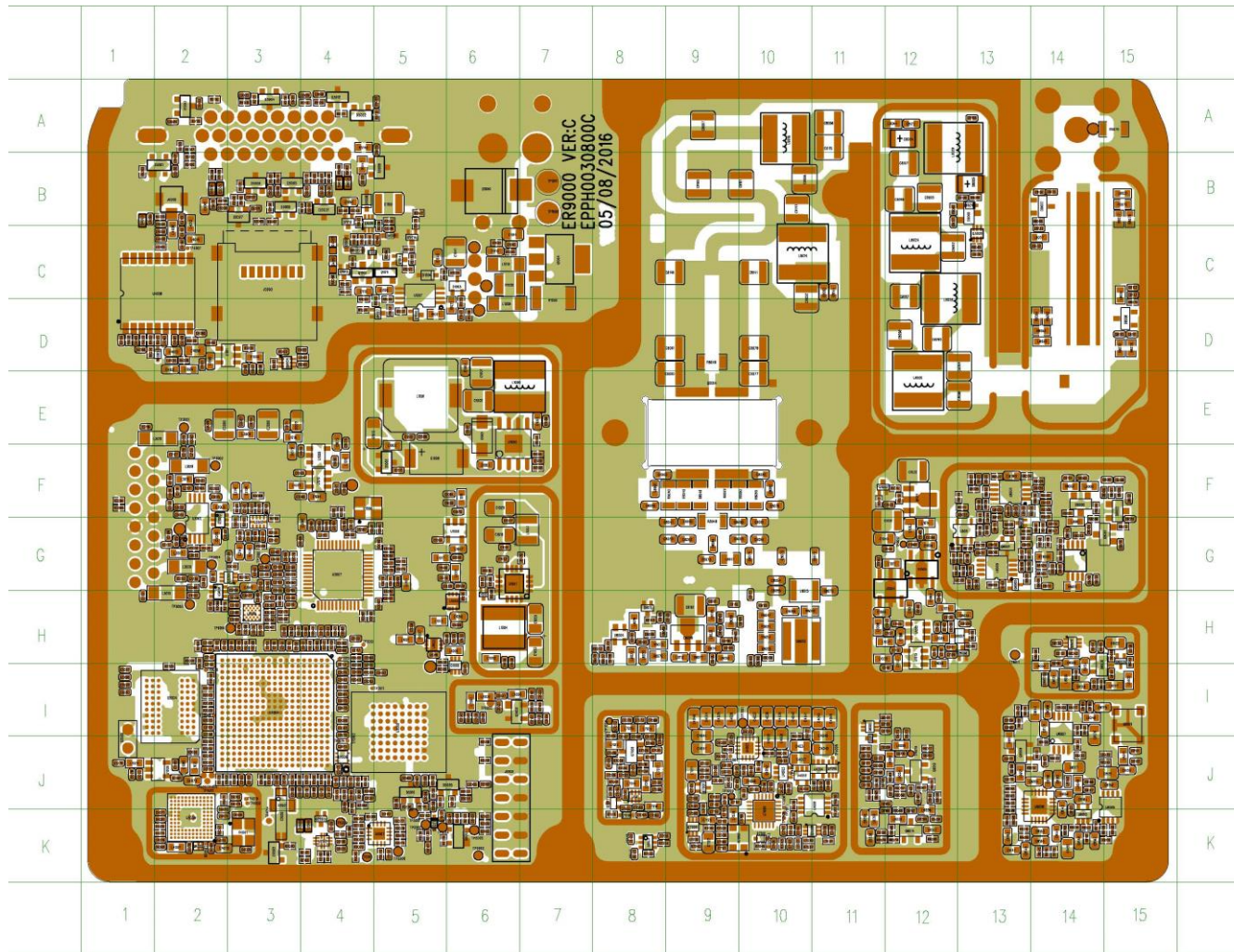
VCO employs Colpitts oscillator circuit (the RX oscillator circuit comprises D6014, D6015, D6016, D6017 and L6061; the TX oscillator circuit is composed of D7001, D7002, D7004, D7005, and L7007). It obtains different output frequencies by changing the varactor diode's control voltage (i.e. CV voltage). There are two types of VCO: TX VCO and RX VCO. Both types control EMD22 to switch operating status via OMAP. RX VCO consists of the oscillator loop and Q6012, to provide LO signal. TX VCO is composed of the oscillator loop and Q7003, to provide carrier for TX signal.

### 7.3.3 Two-Point Modulation

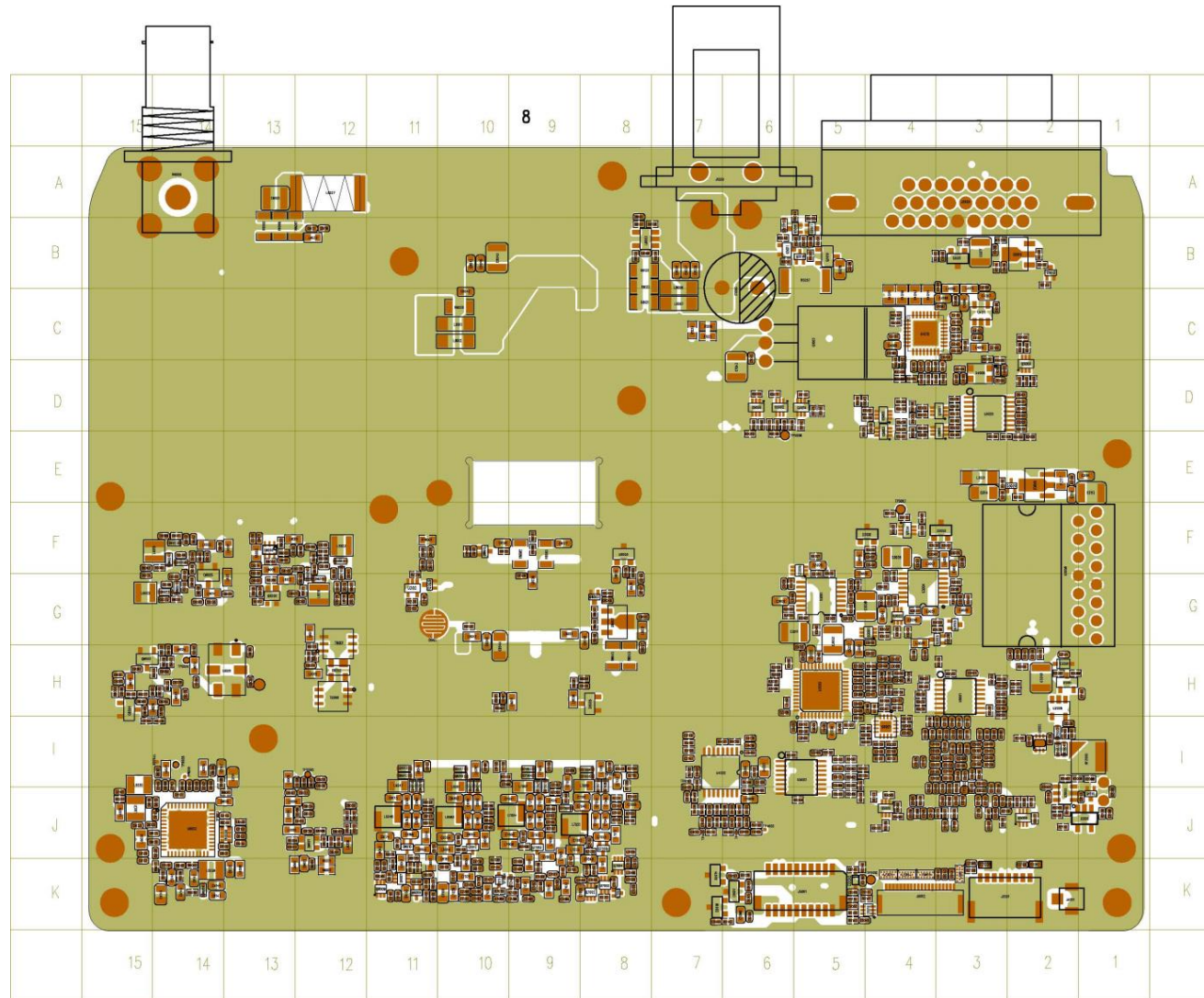
In TX mode, the two-point modulation technology is employed, to obtain higher modulation accuracy and lower 4FSK bit error rate. MOD-VCO and MOD-XO send the modulation signal to the modulation end of VCO and the reference oscillator of PLL respectively to modulate TX VCO and the reference crystal oscillator.

## 7.4 PCB View

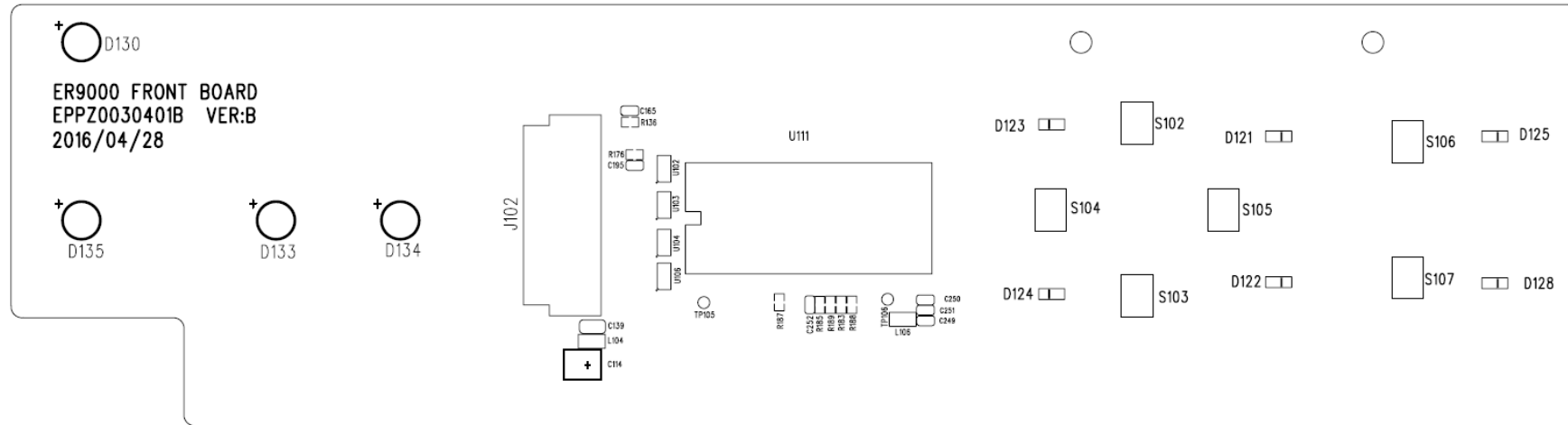
**PCB View (Main Board)  
Top Layer**



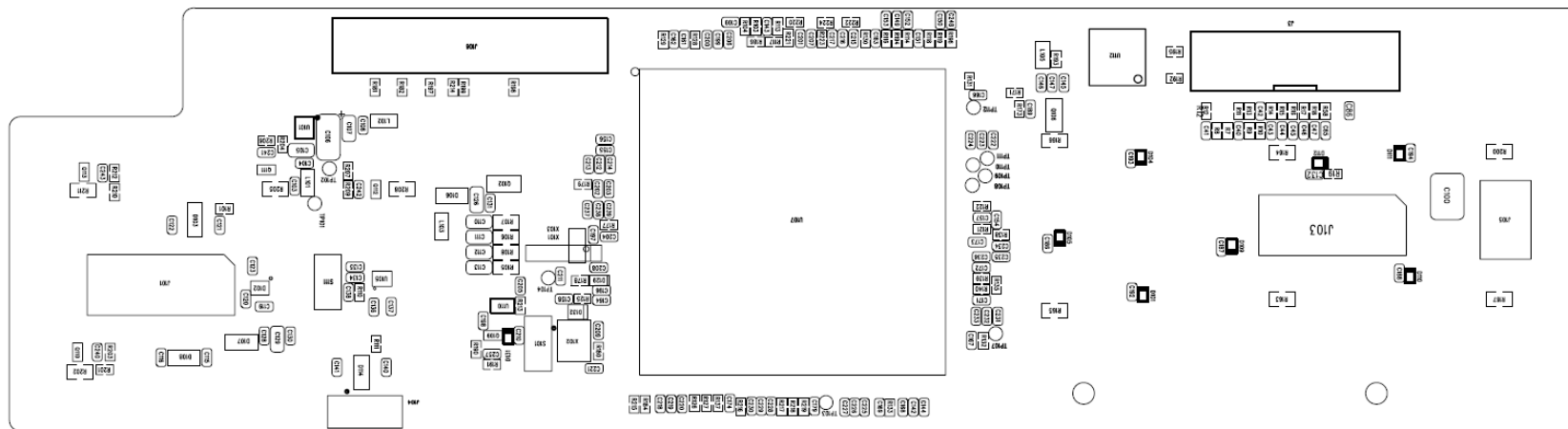
### PCB View (Main Board) Bottom Layer



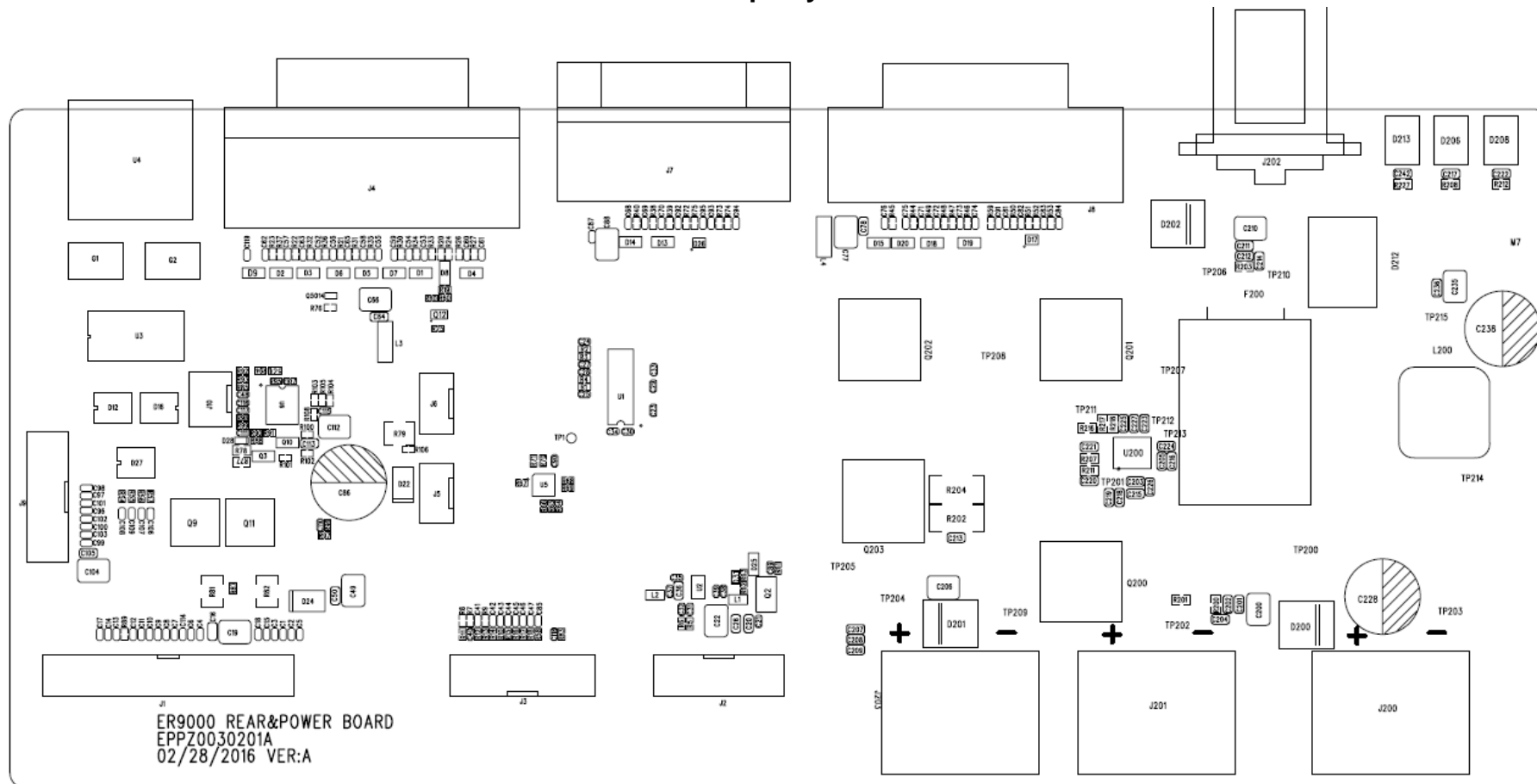
### PCB View (Control Head) Top Layer



### PCB View (Control Head) Bottom Layer



### PCB View (Rear Board) Top Layer



### PCB View (Rear Board) Bottom Layer

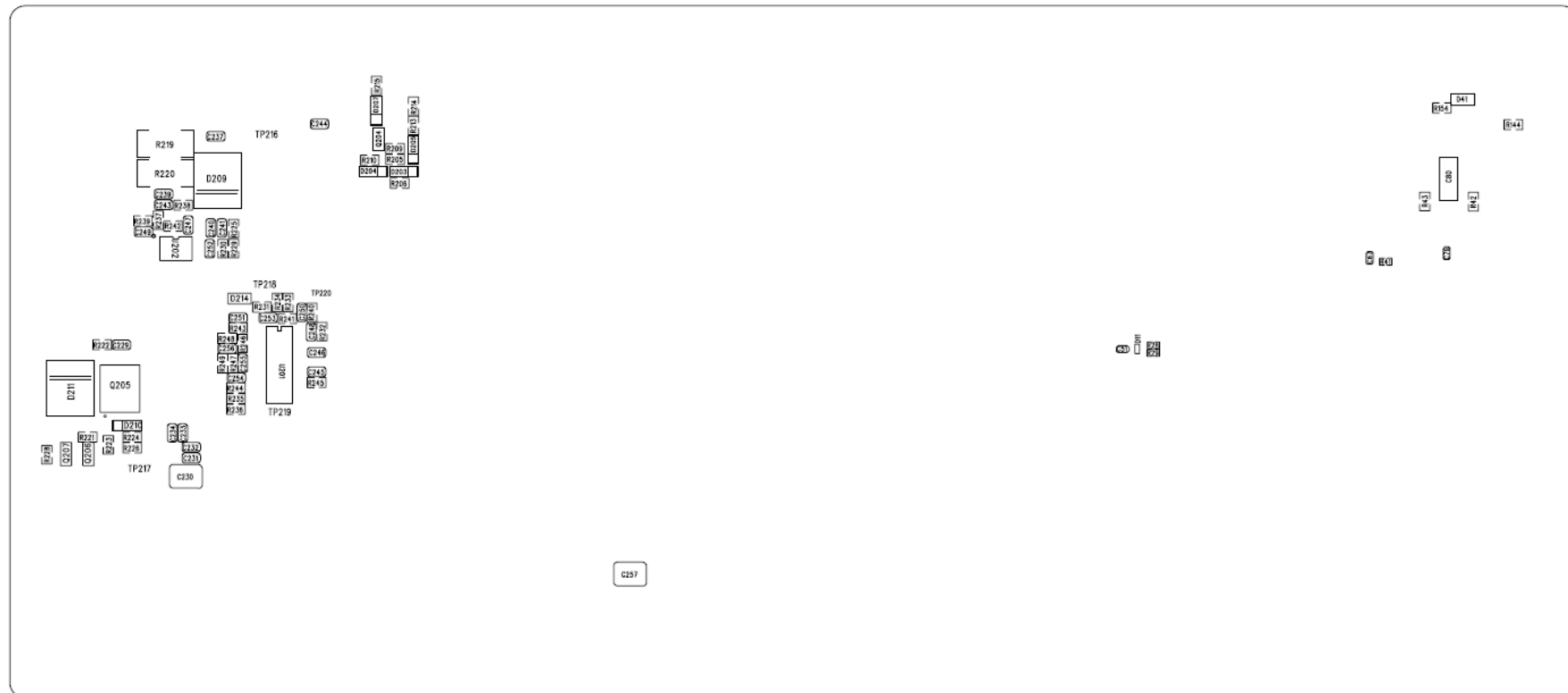
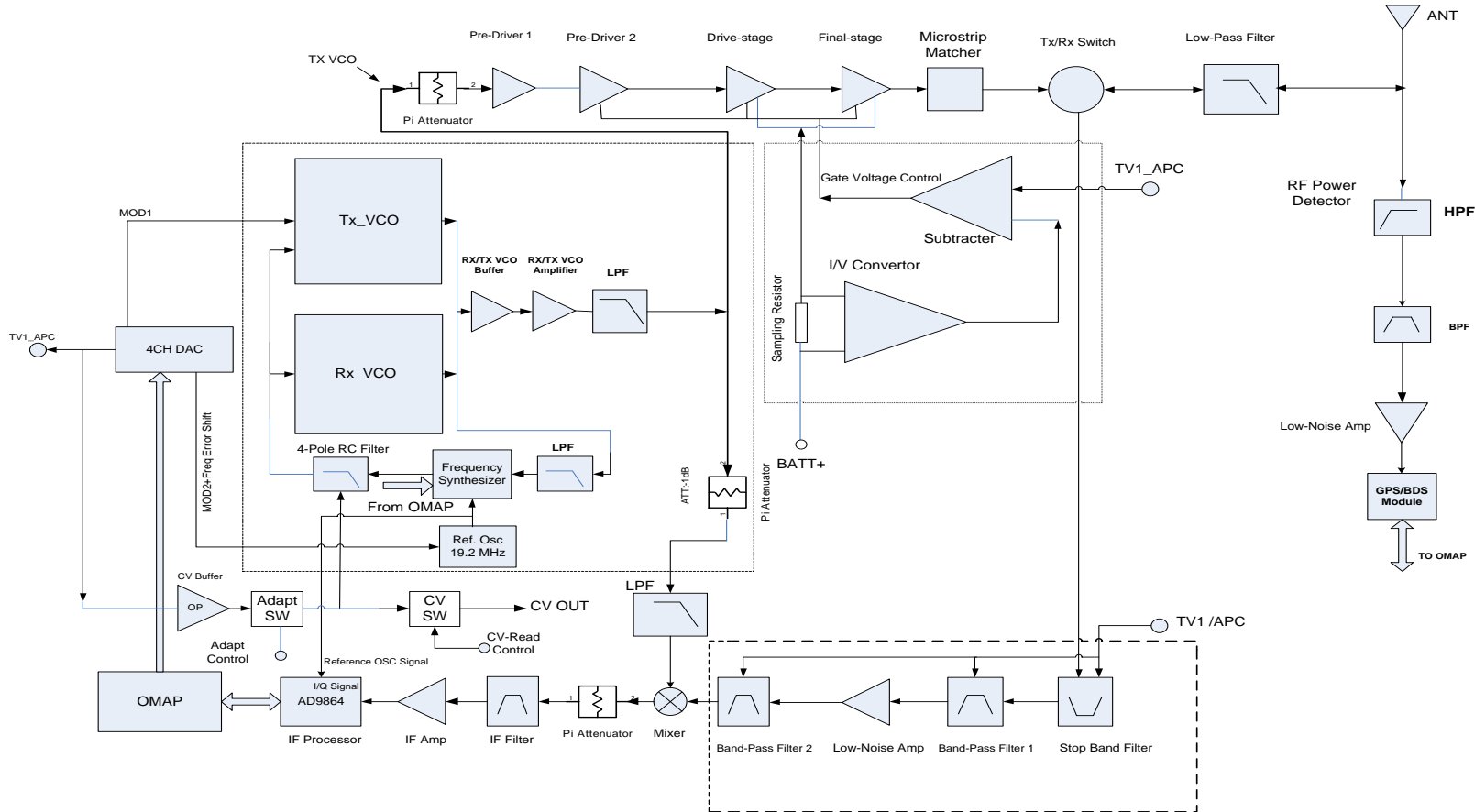


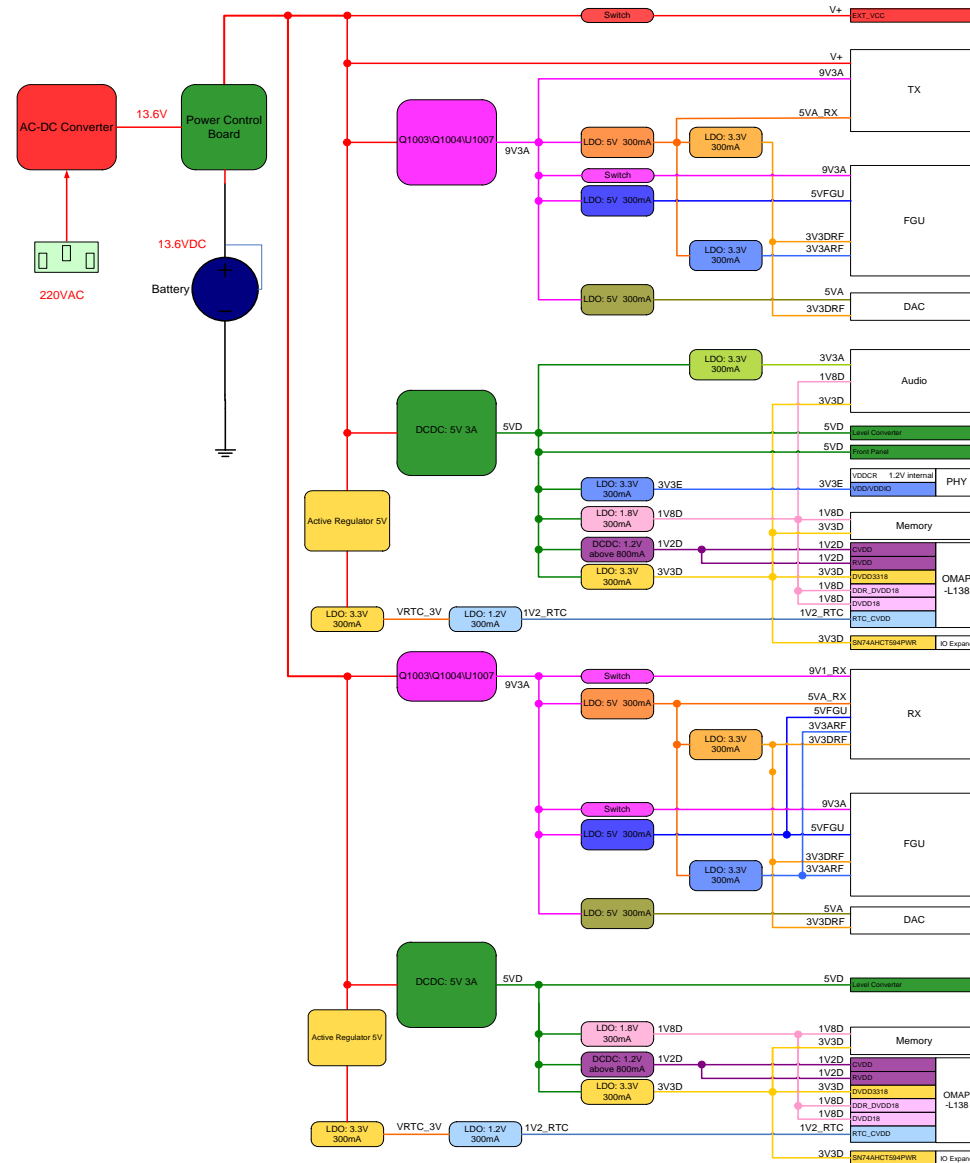
Figure 7-5 PCB View

## 7.5 Block Diagram

### Block Diagram (RF Section)

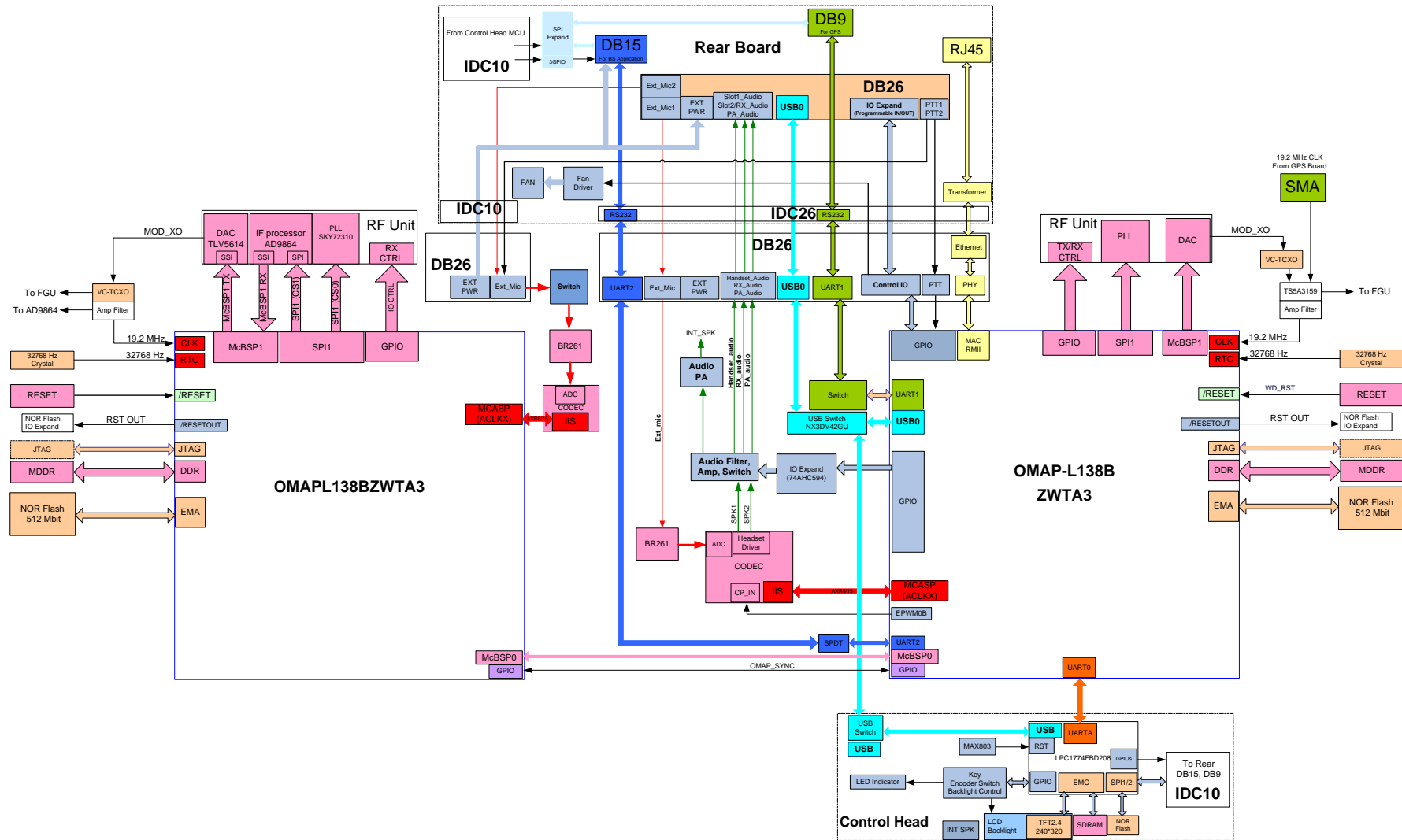


### Block Diagram (Power Section)

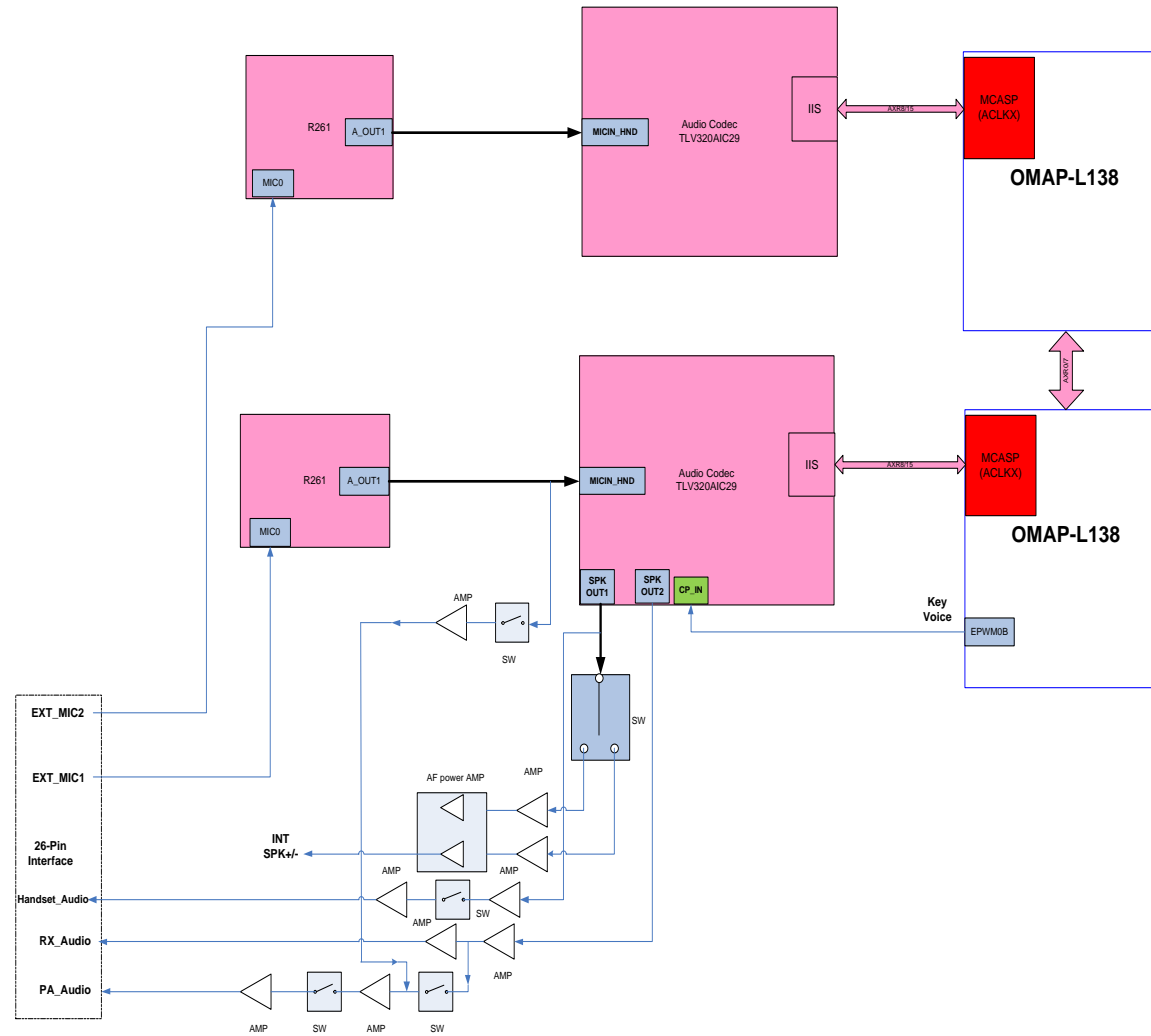




### Block Diagram (Baseband Section)



### Block Diagram (Audio Section)



### Block Diagram (Clock Section)

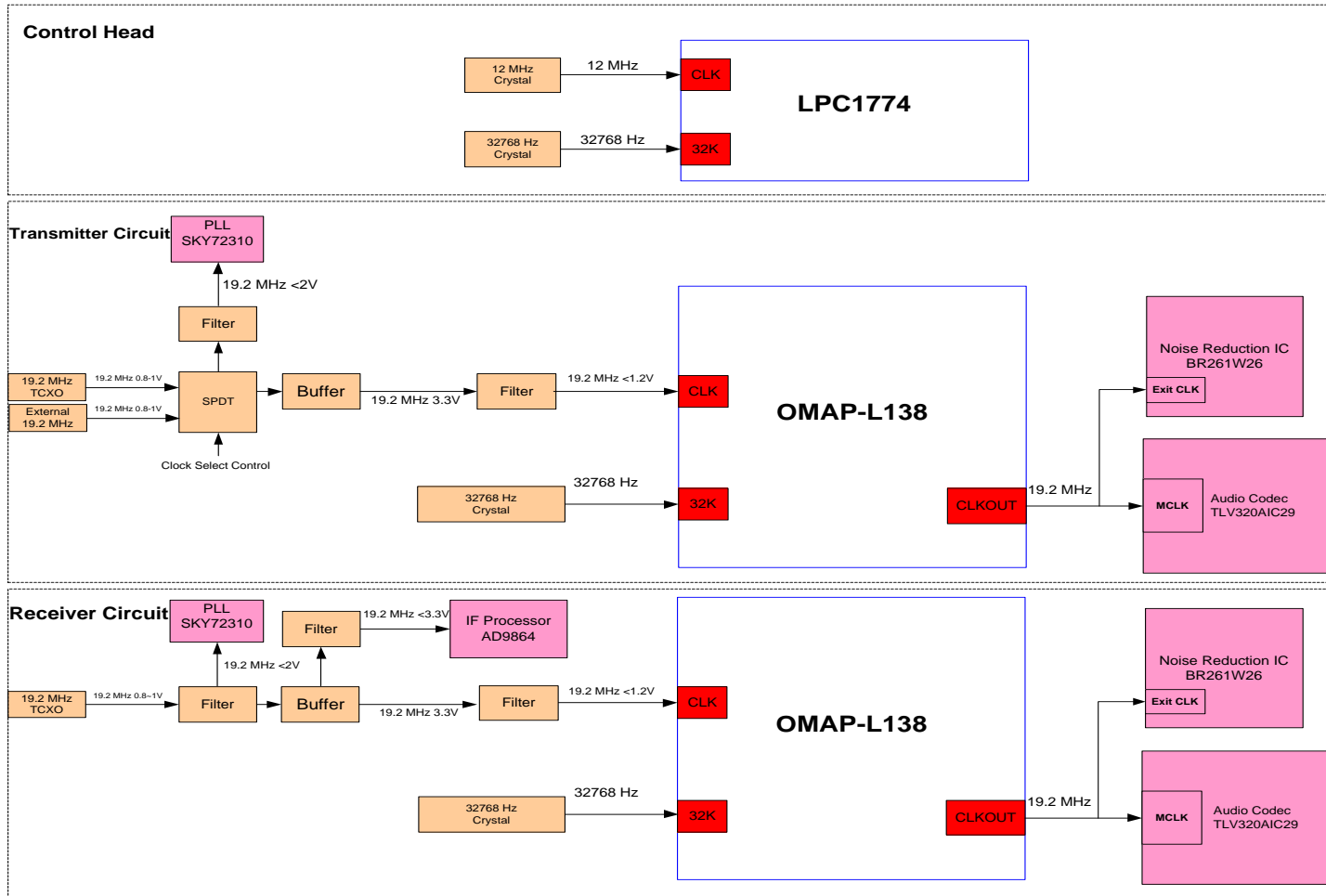
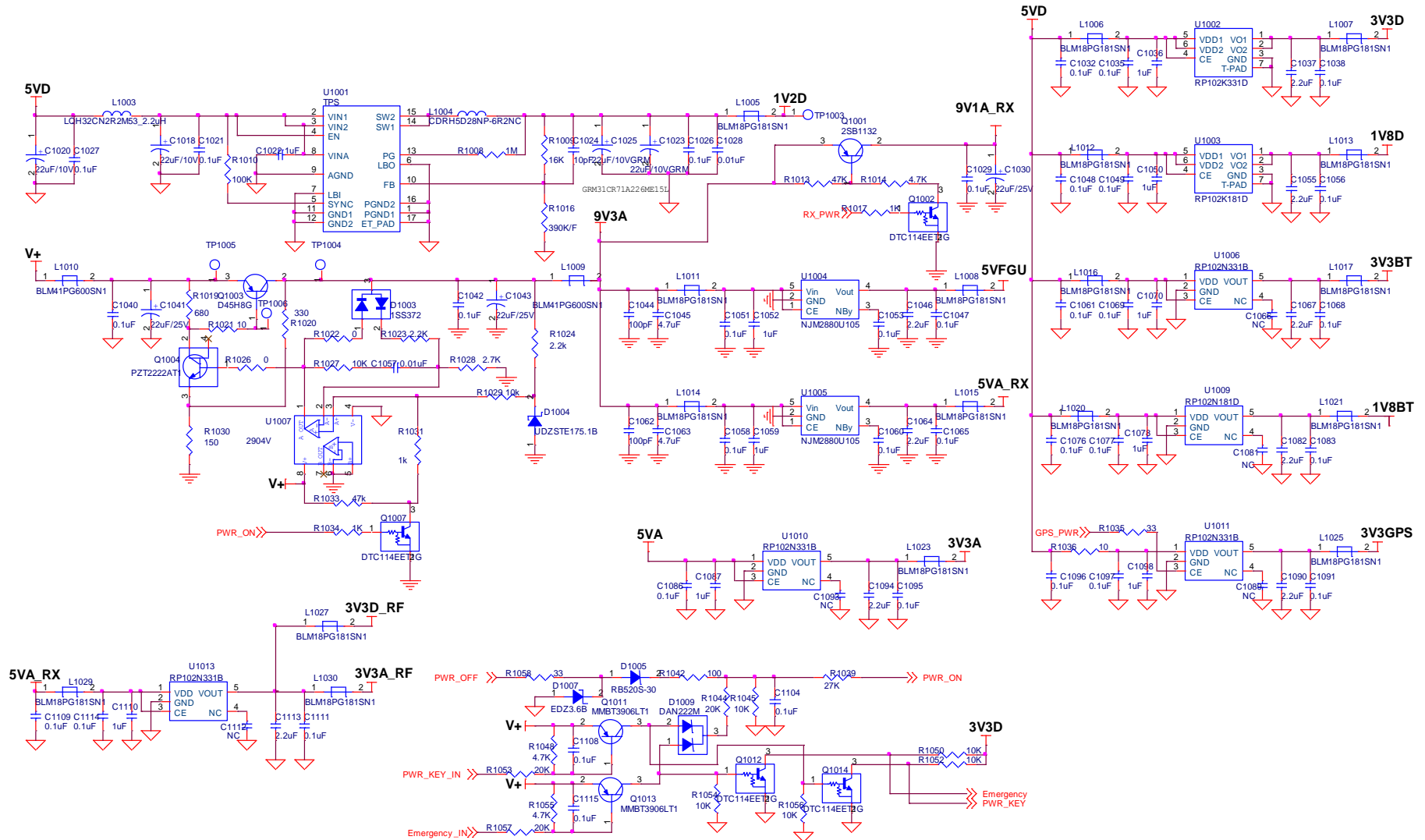


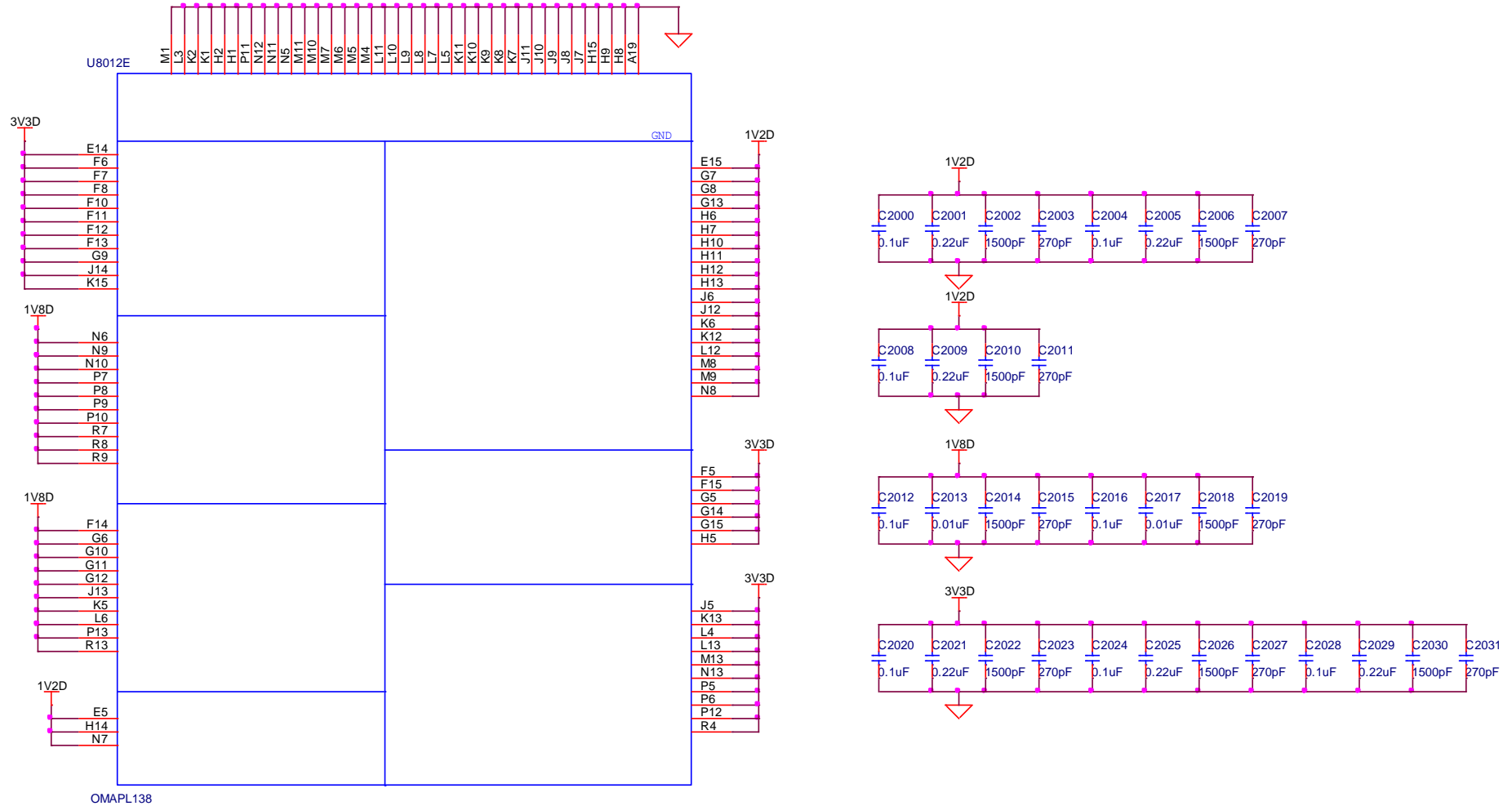
Figure 7-6 Block Diagram

## 7.6 Schematic Diagram

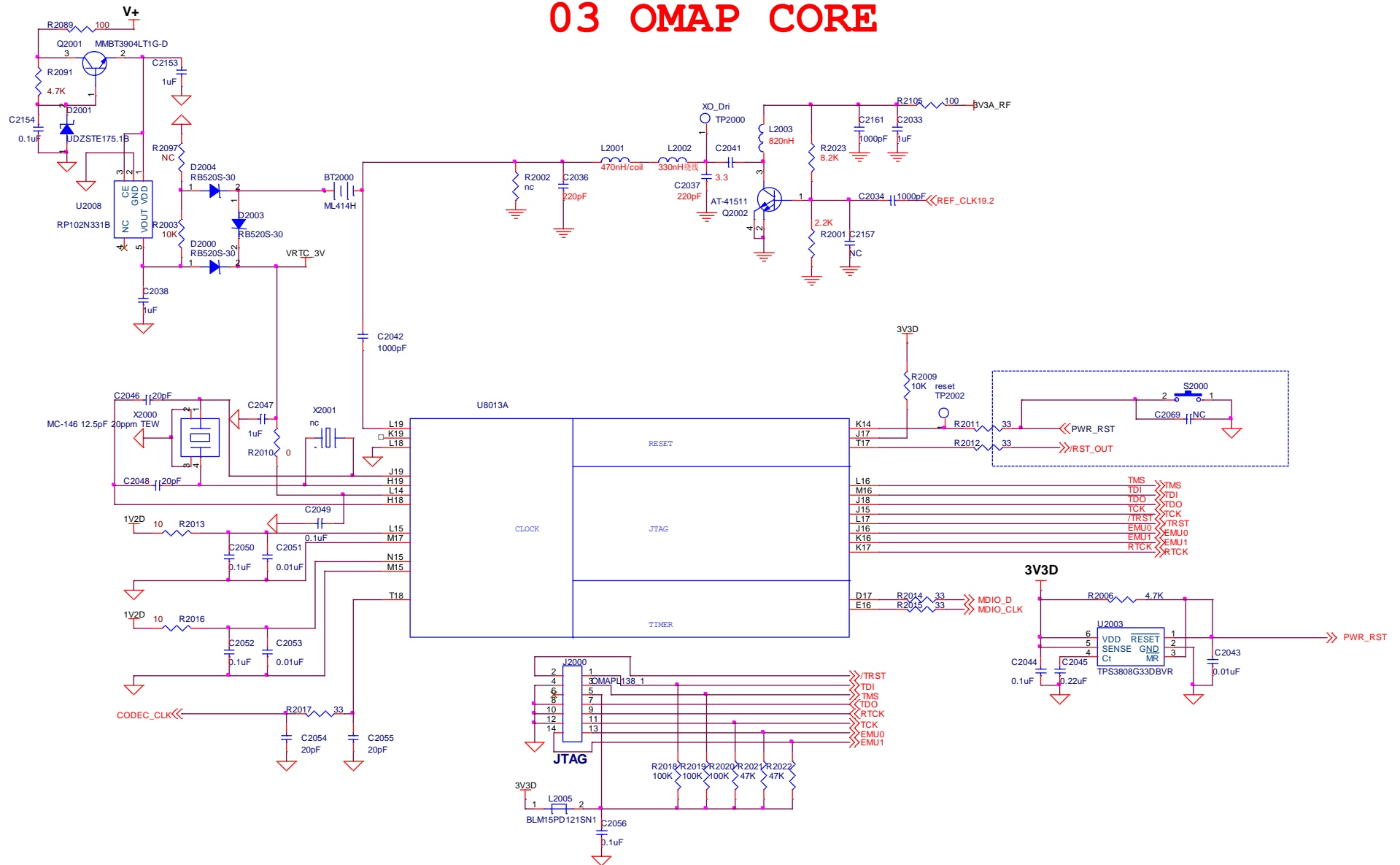
### 01 PWR



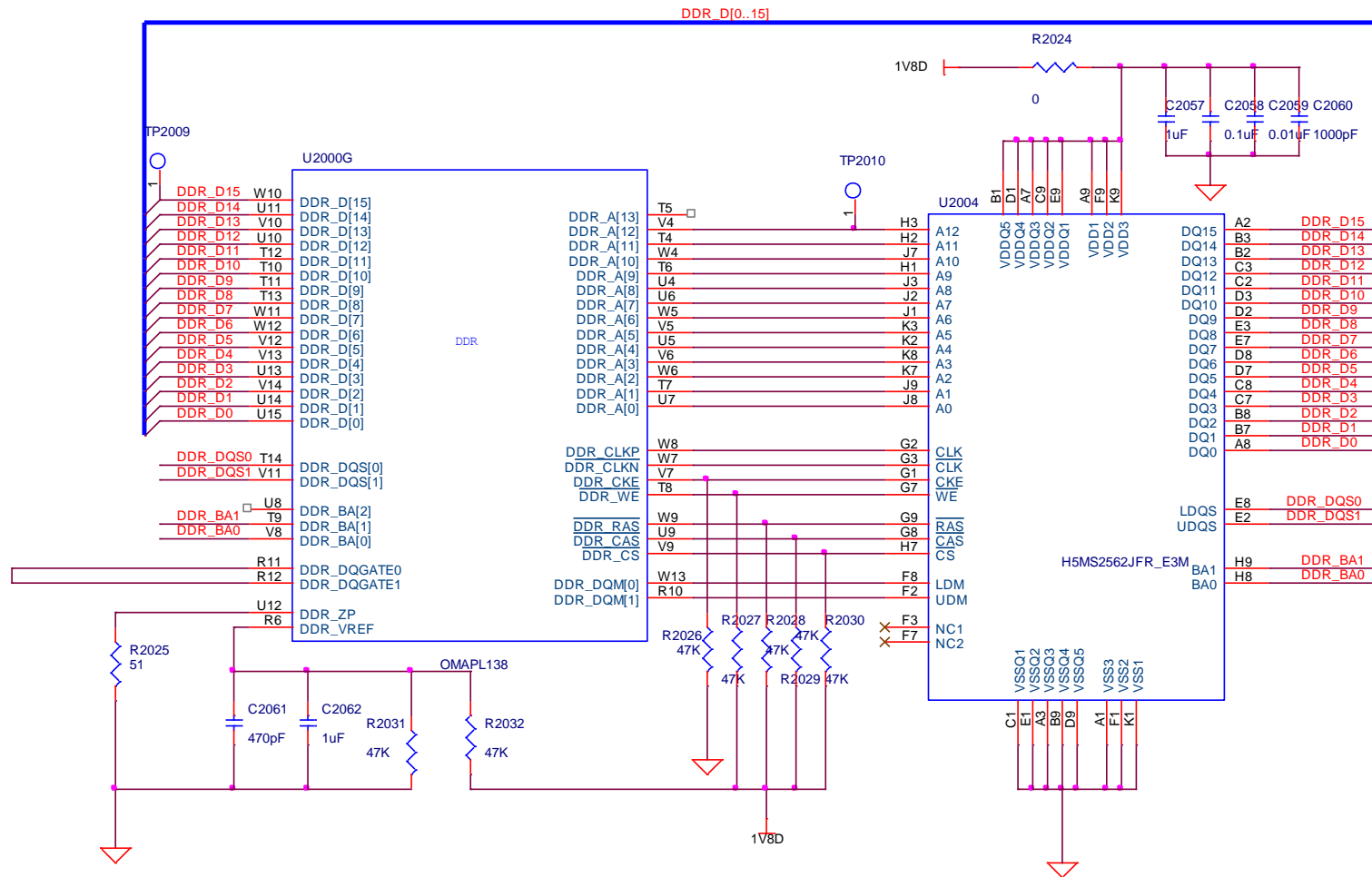
# 02 OMAP PWR



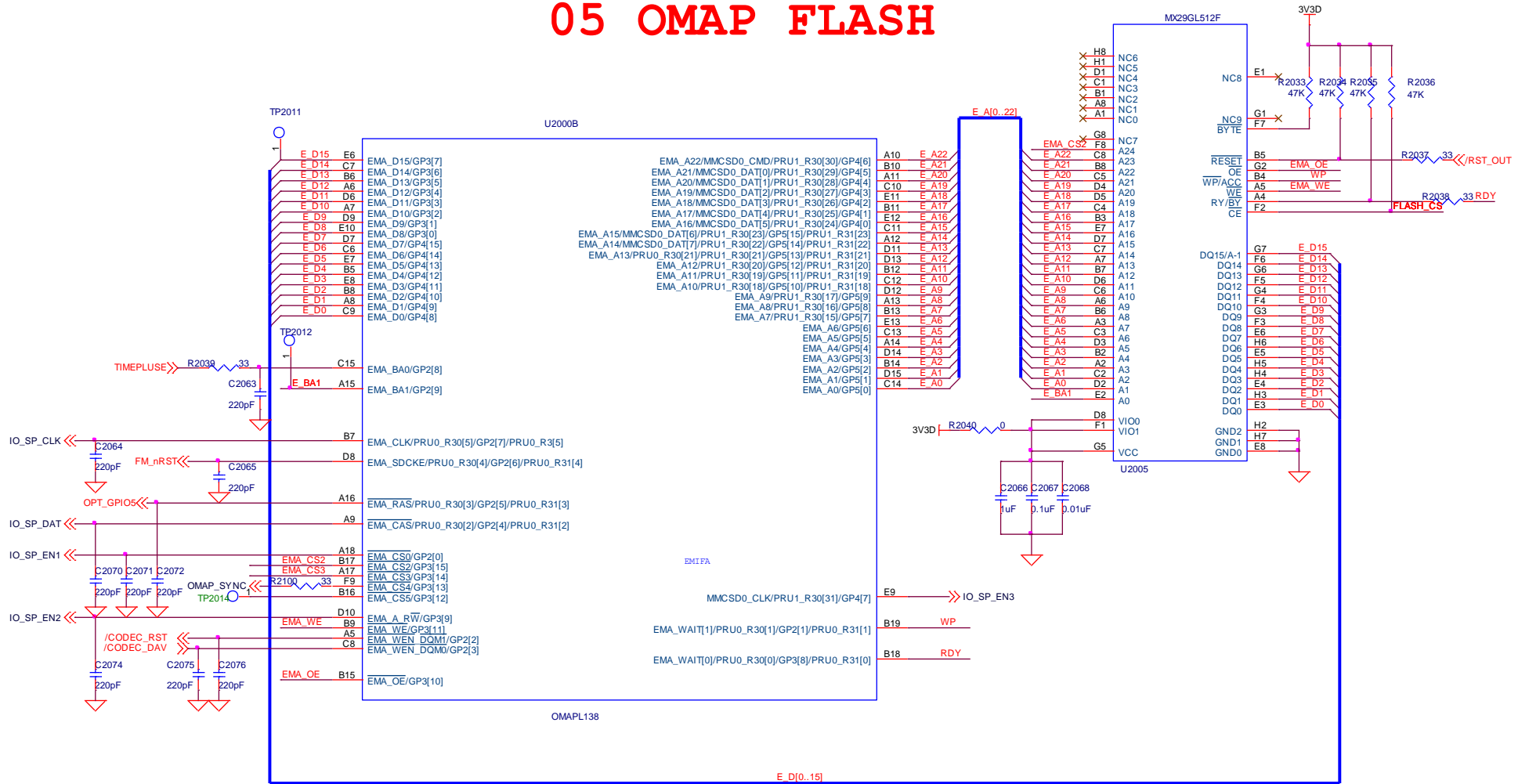
# 03 OMAP CORE



# 04 OMAP mDDR

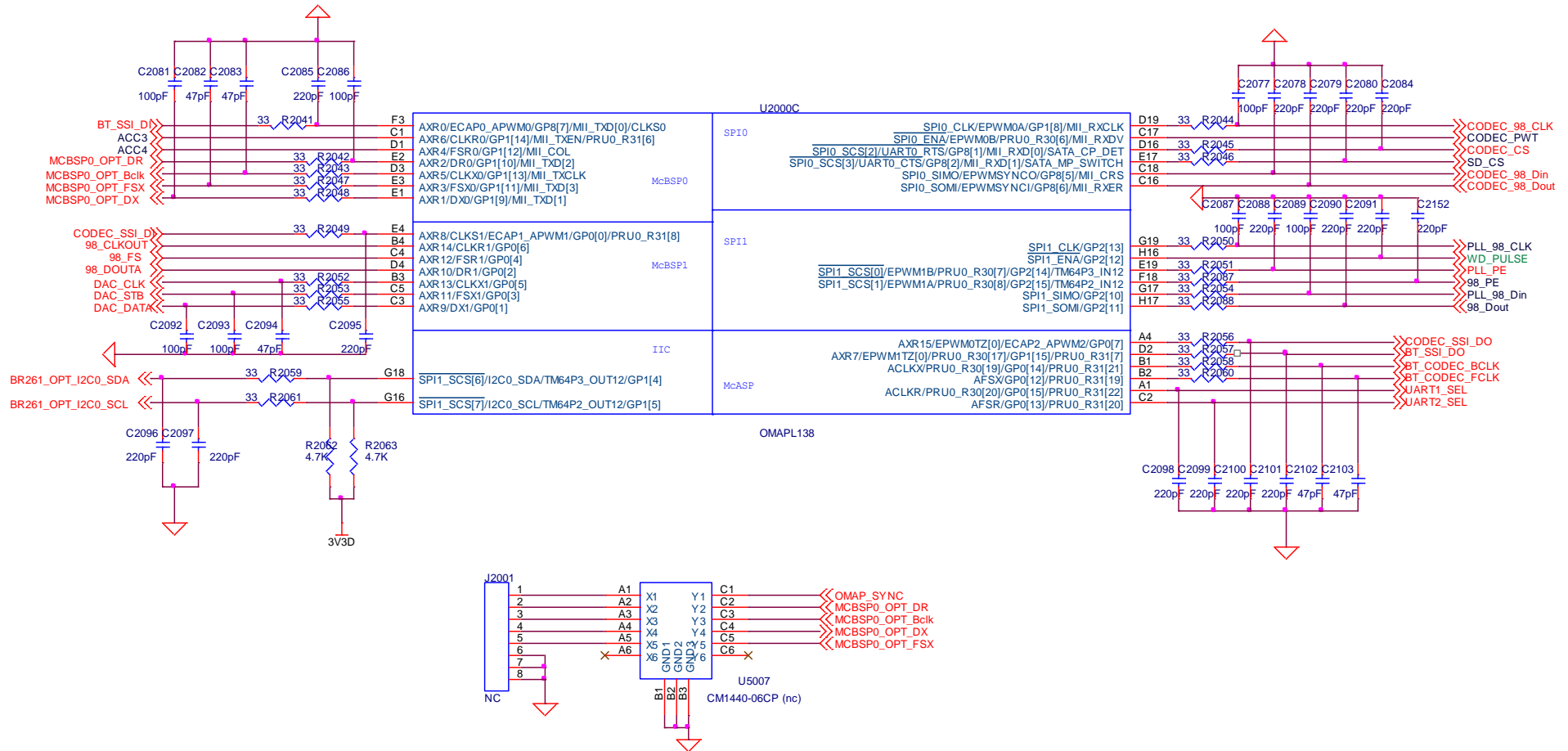


# 05 OMAP FLASH

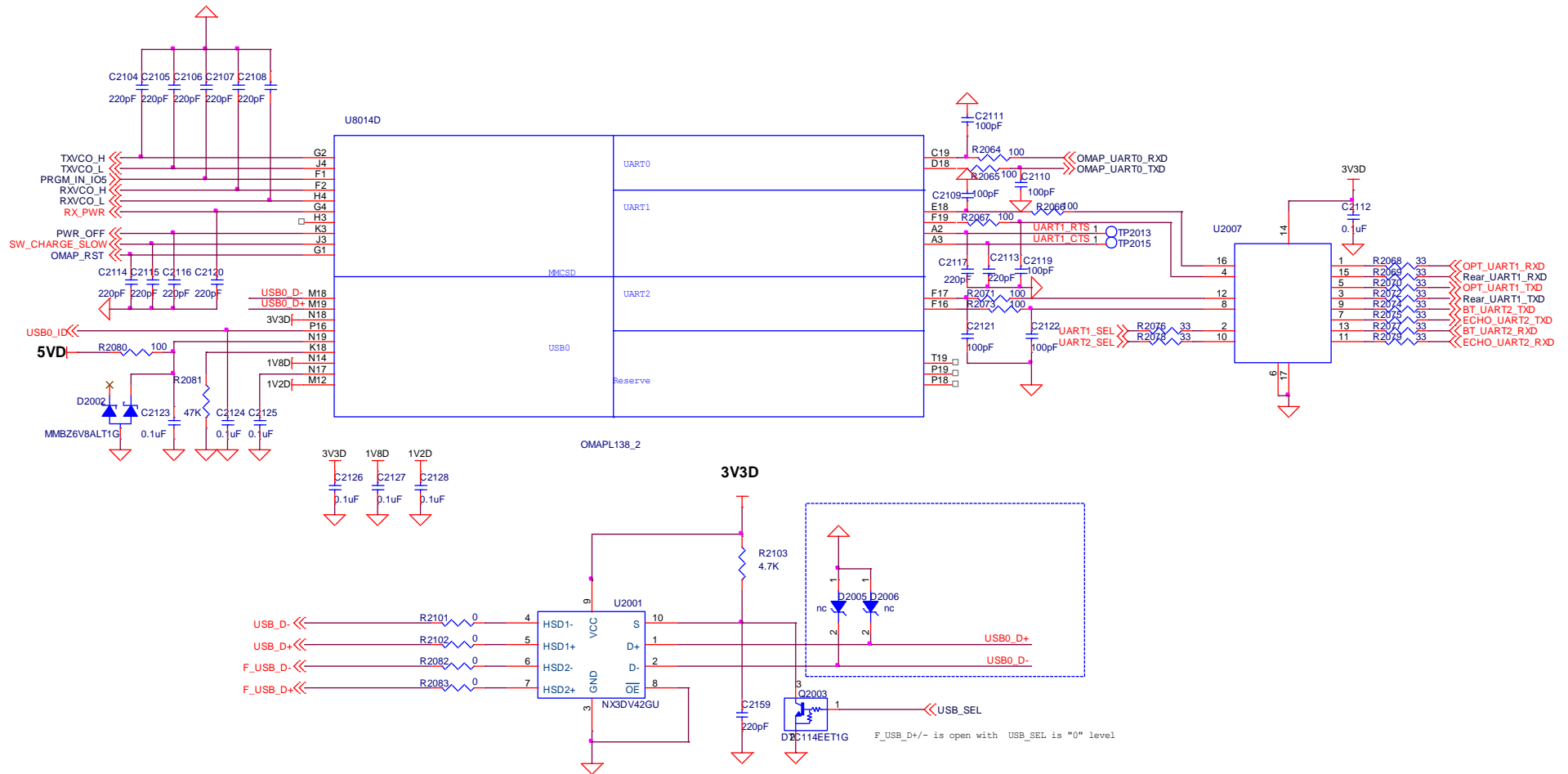




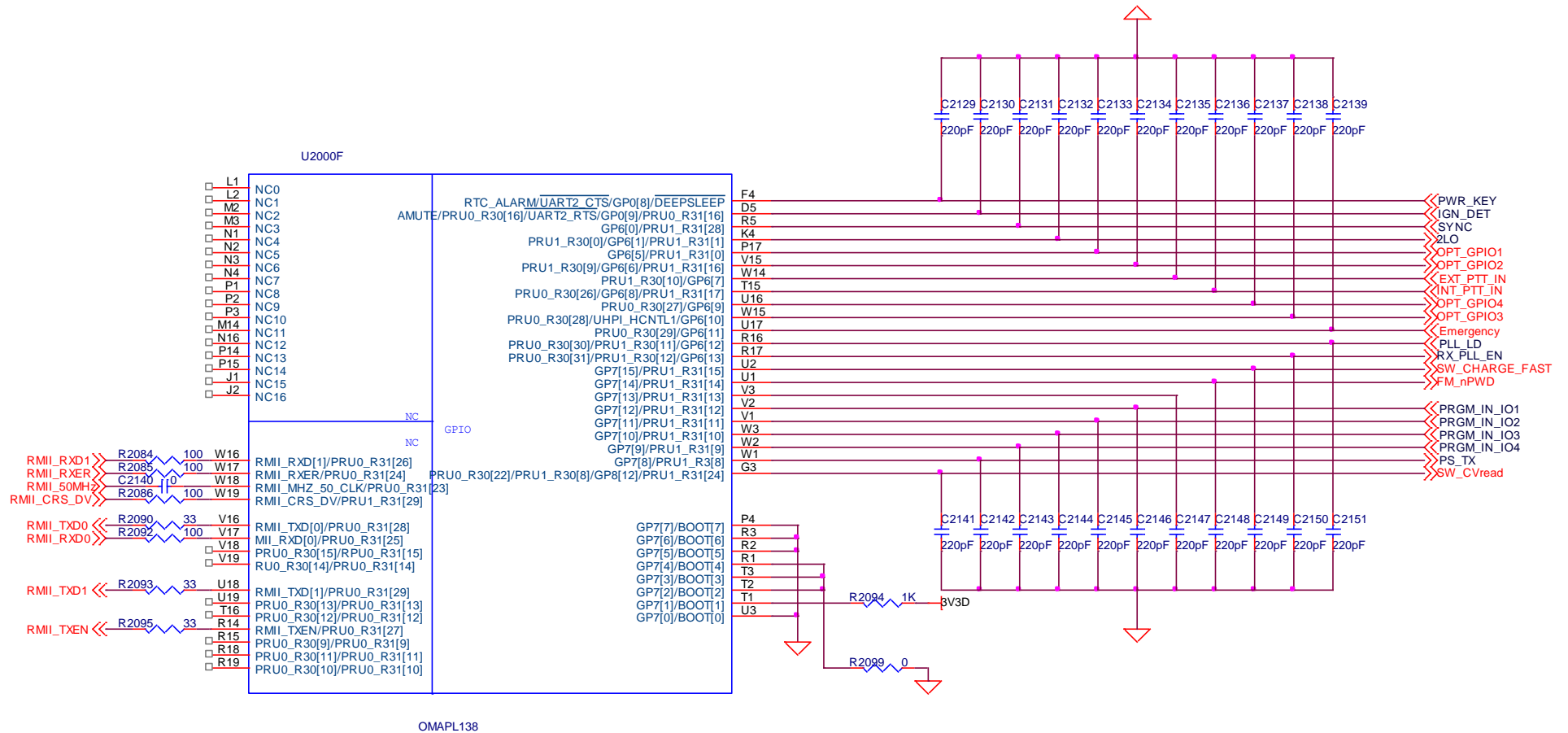
# 06 OMAP SI



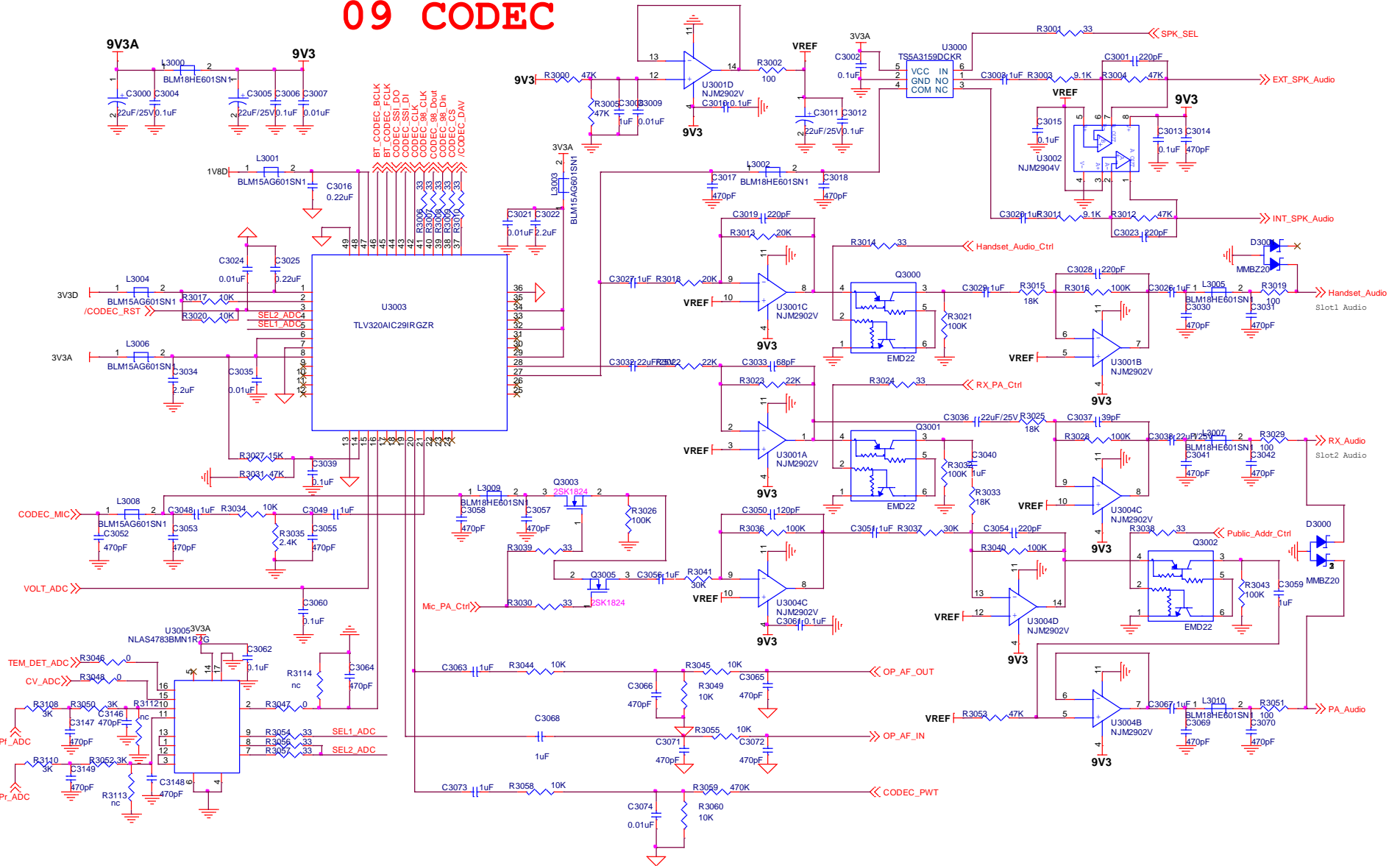
# 07 OMAP UARTS



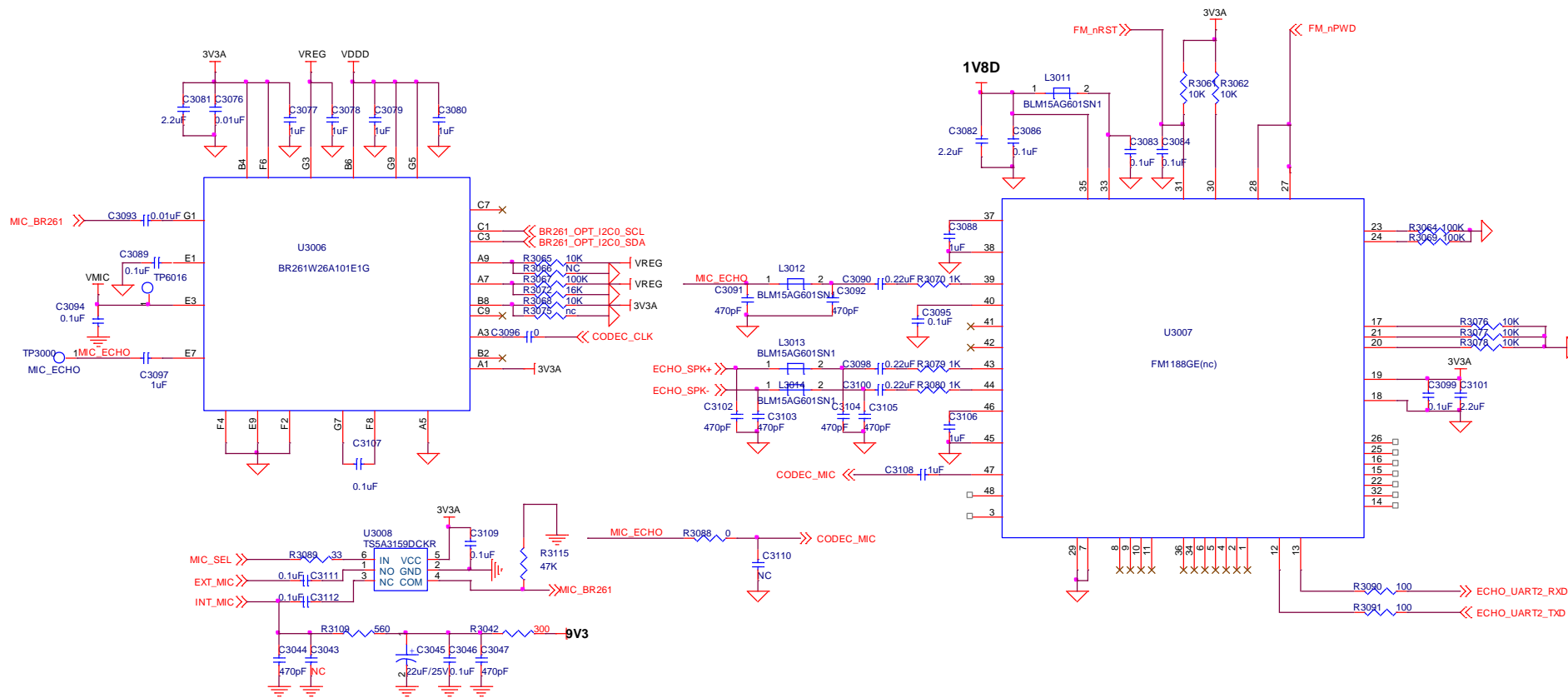
# 08 OMAP BOOT



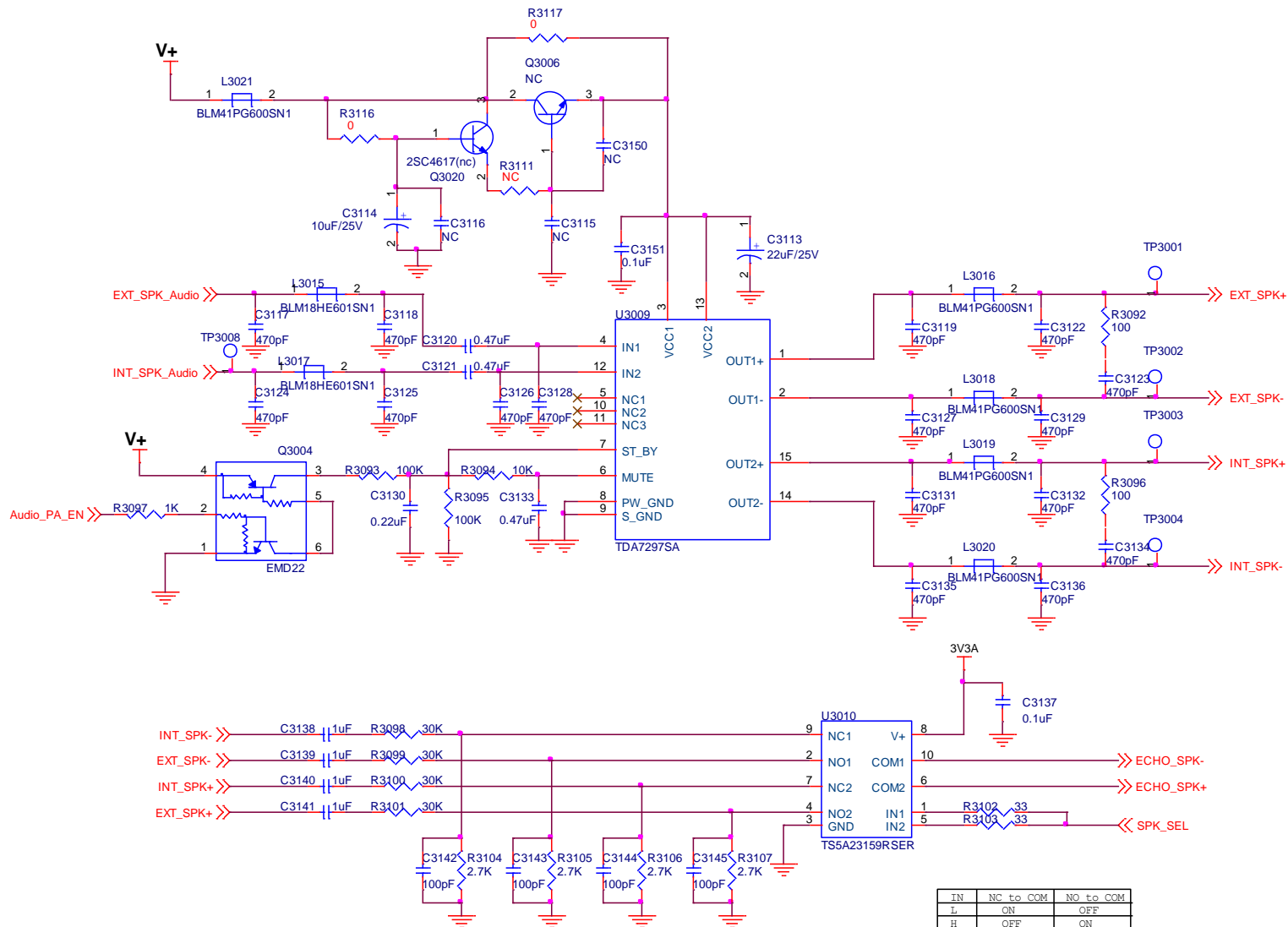
# 09 CODEC

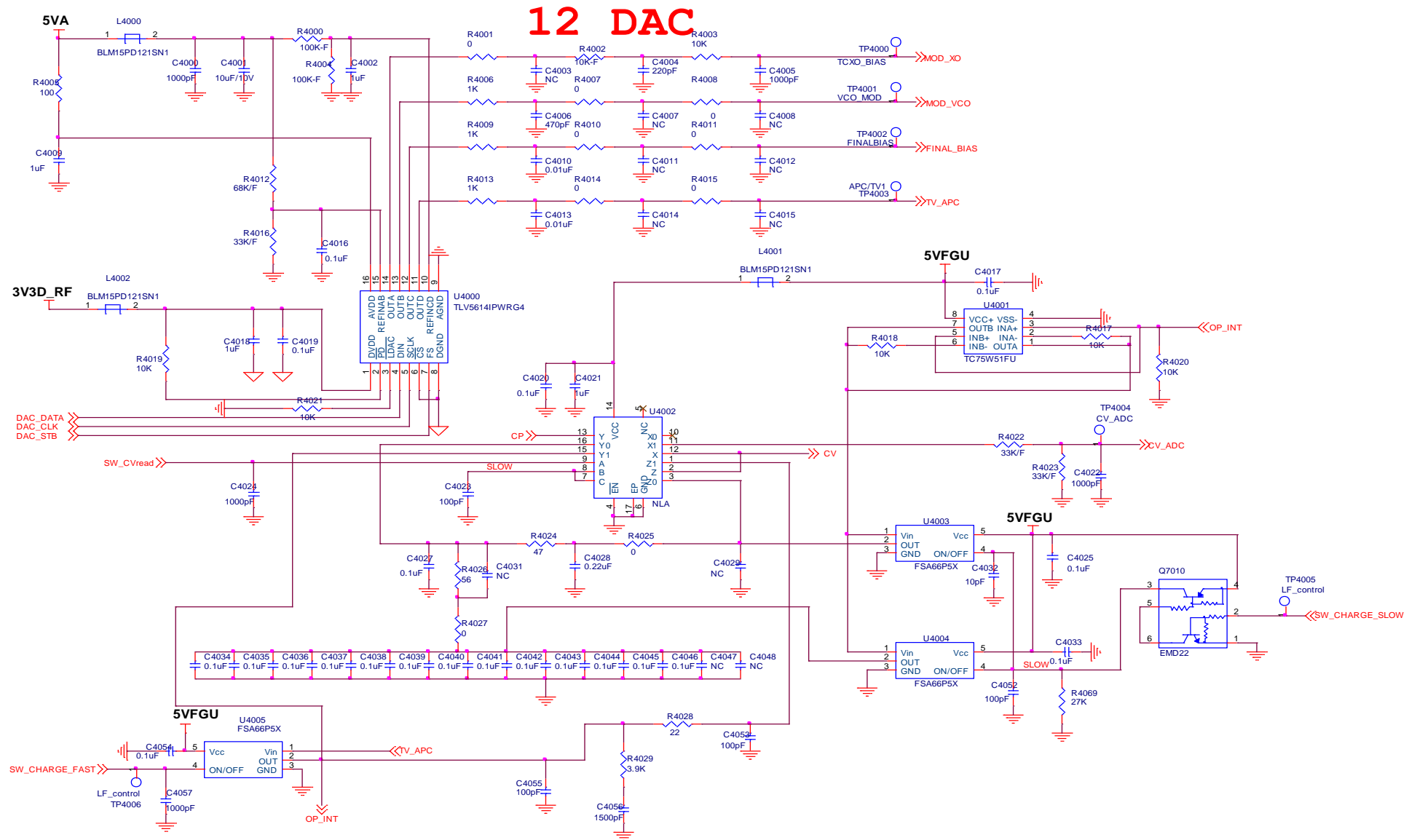


# 10 BR261 and ECHO

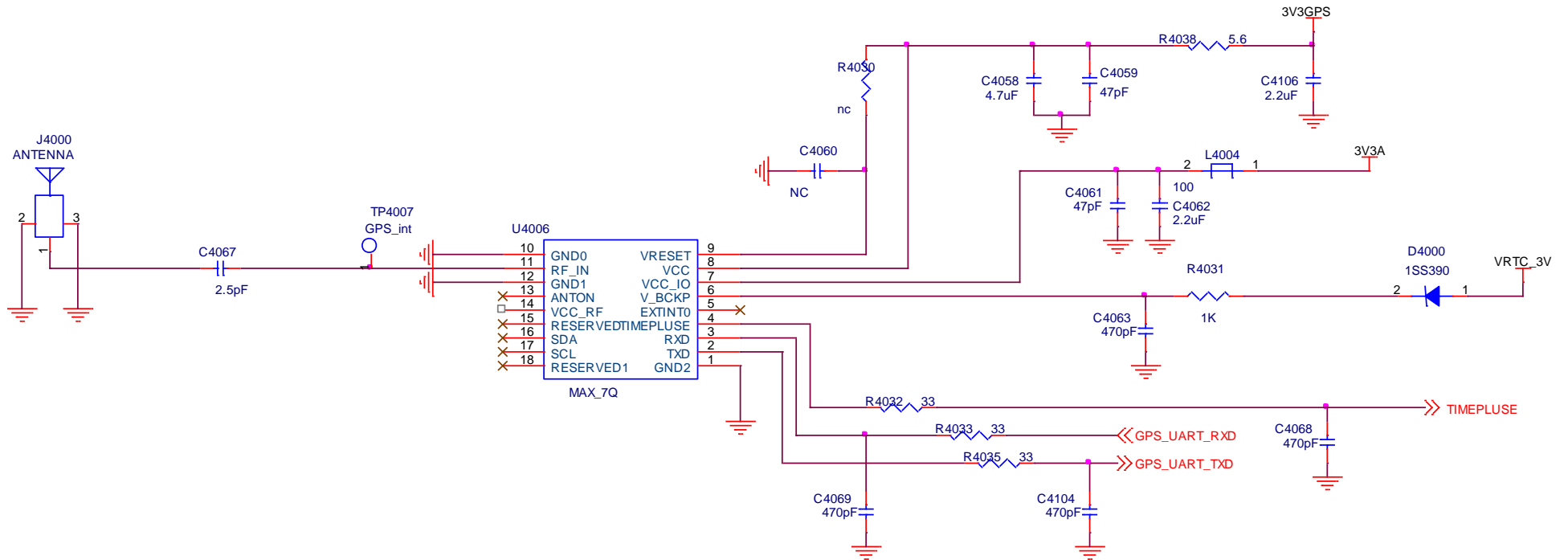


# 11 Audio PA



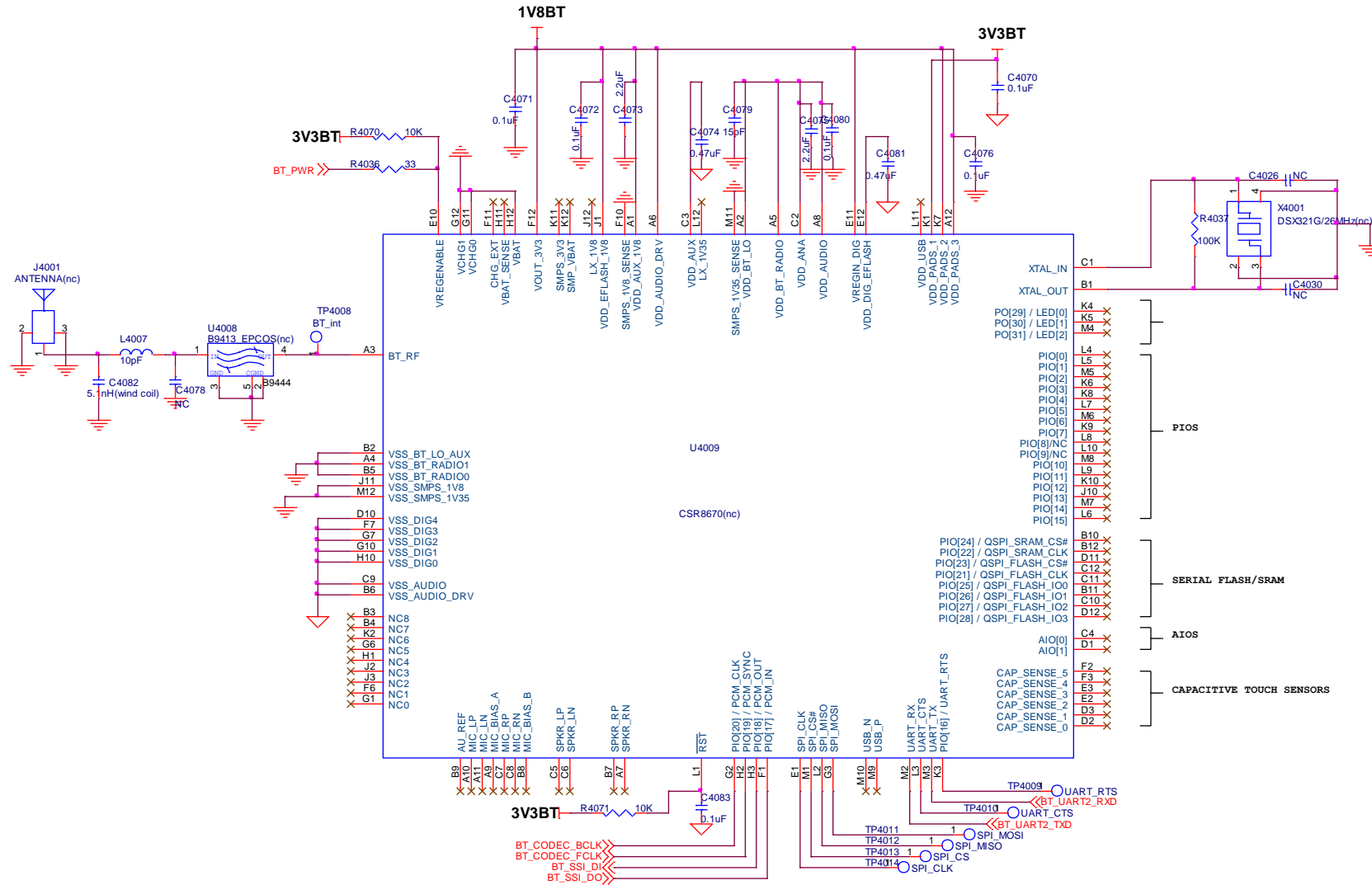


# 13 GPS

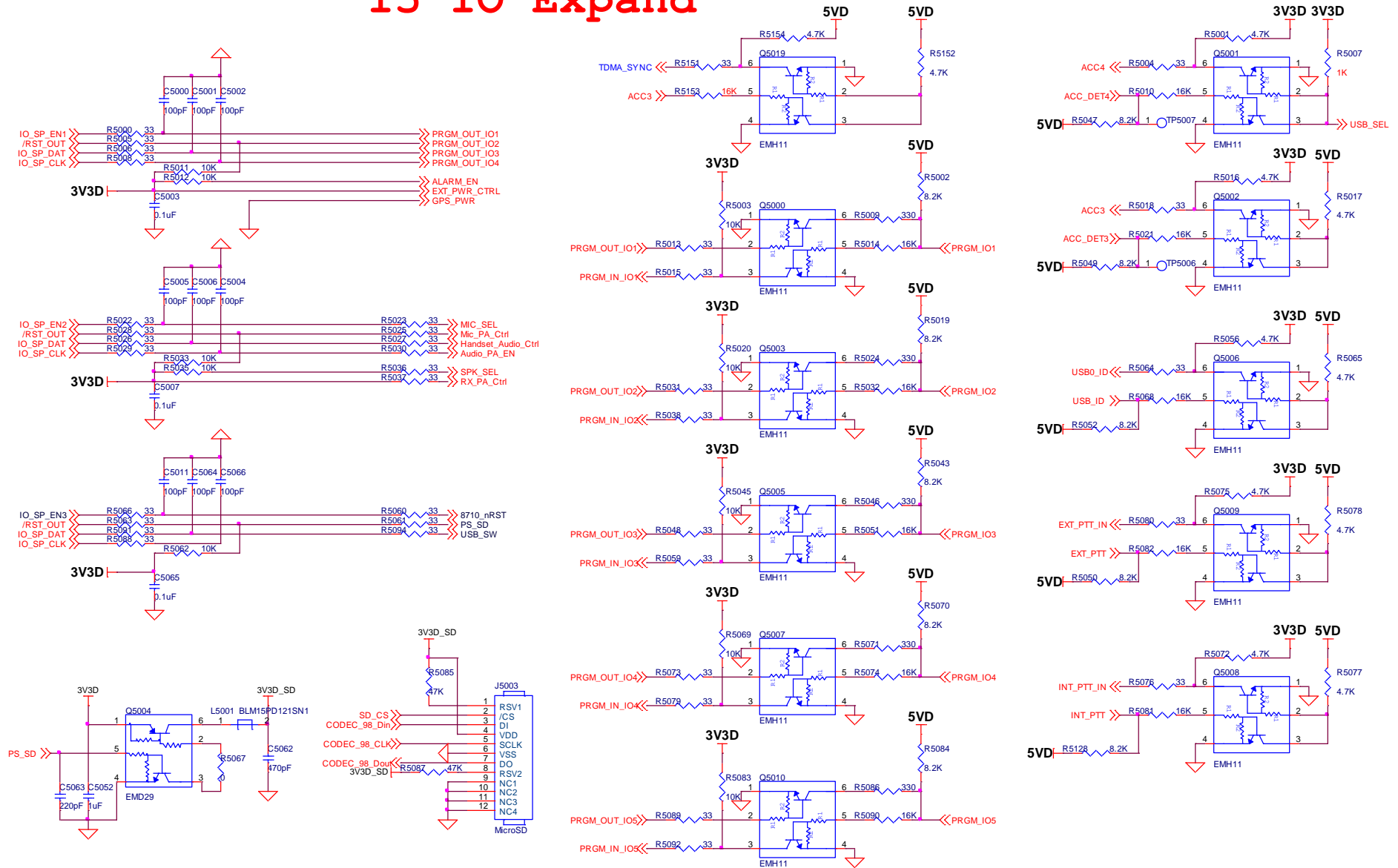




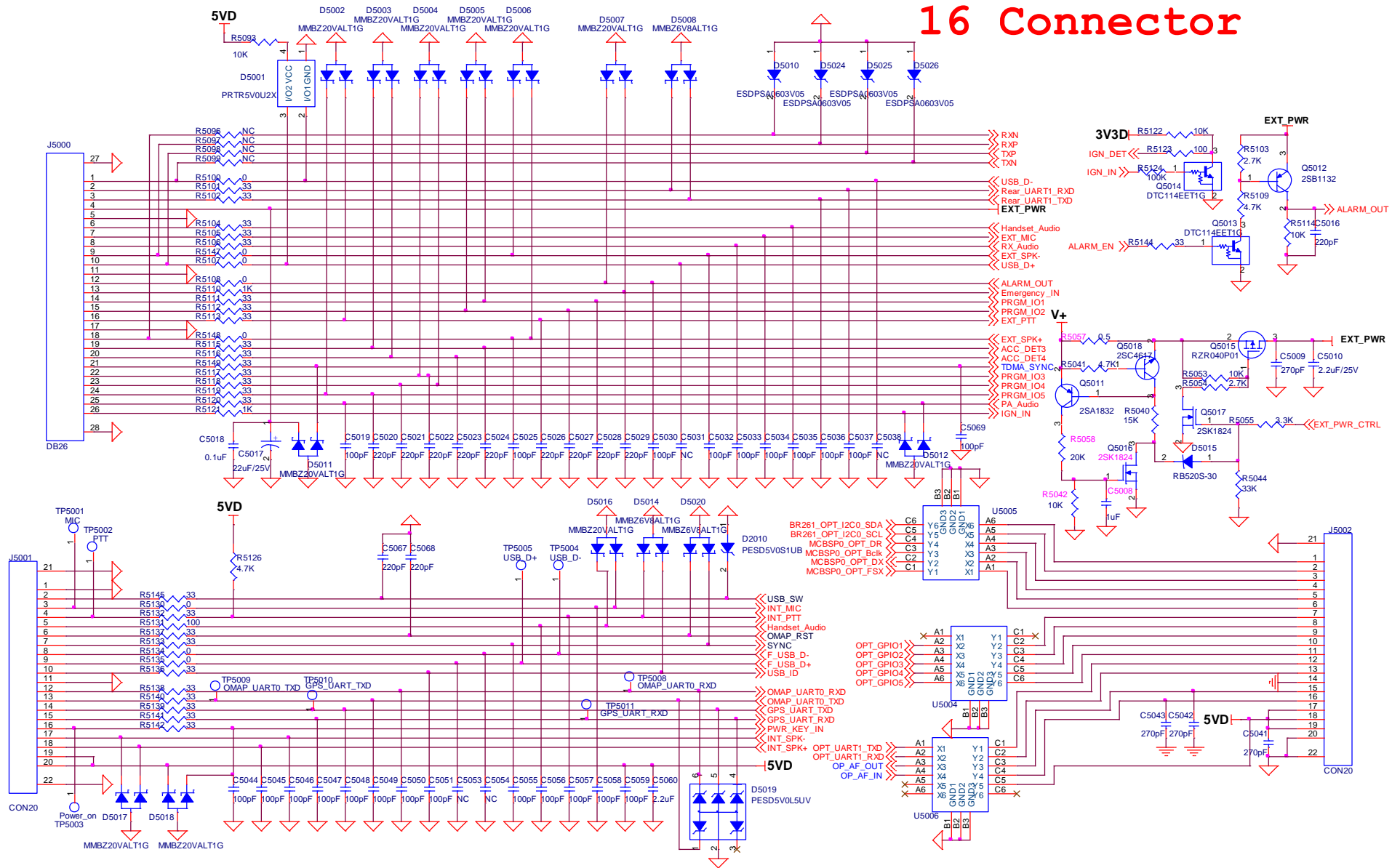
# 14 Bluetooth

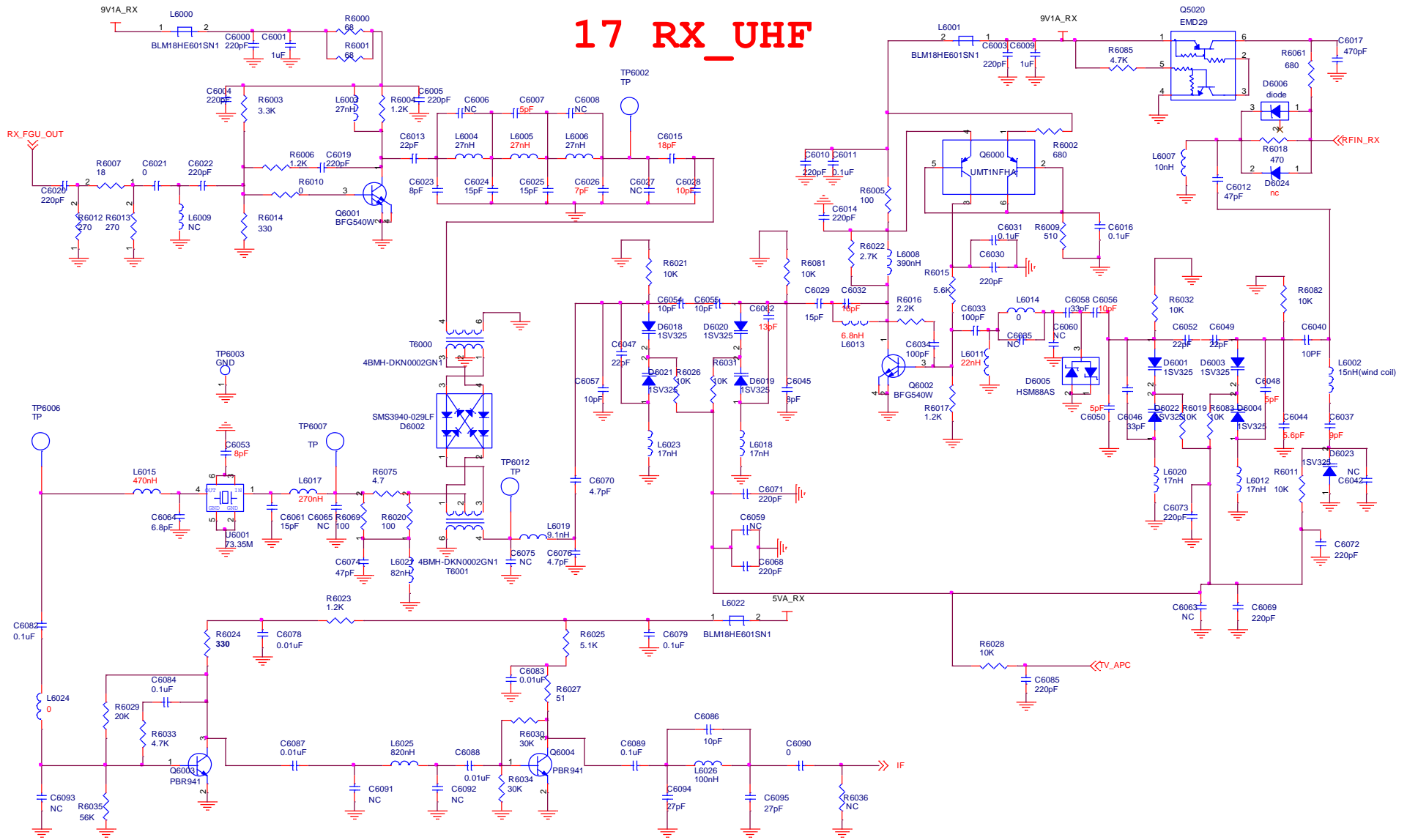


# 15 IO Expand

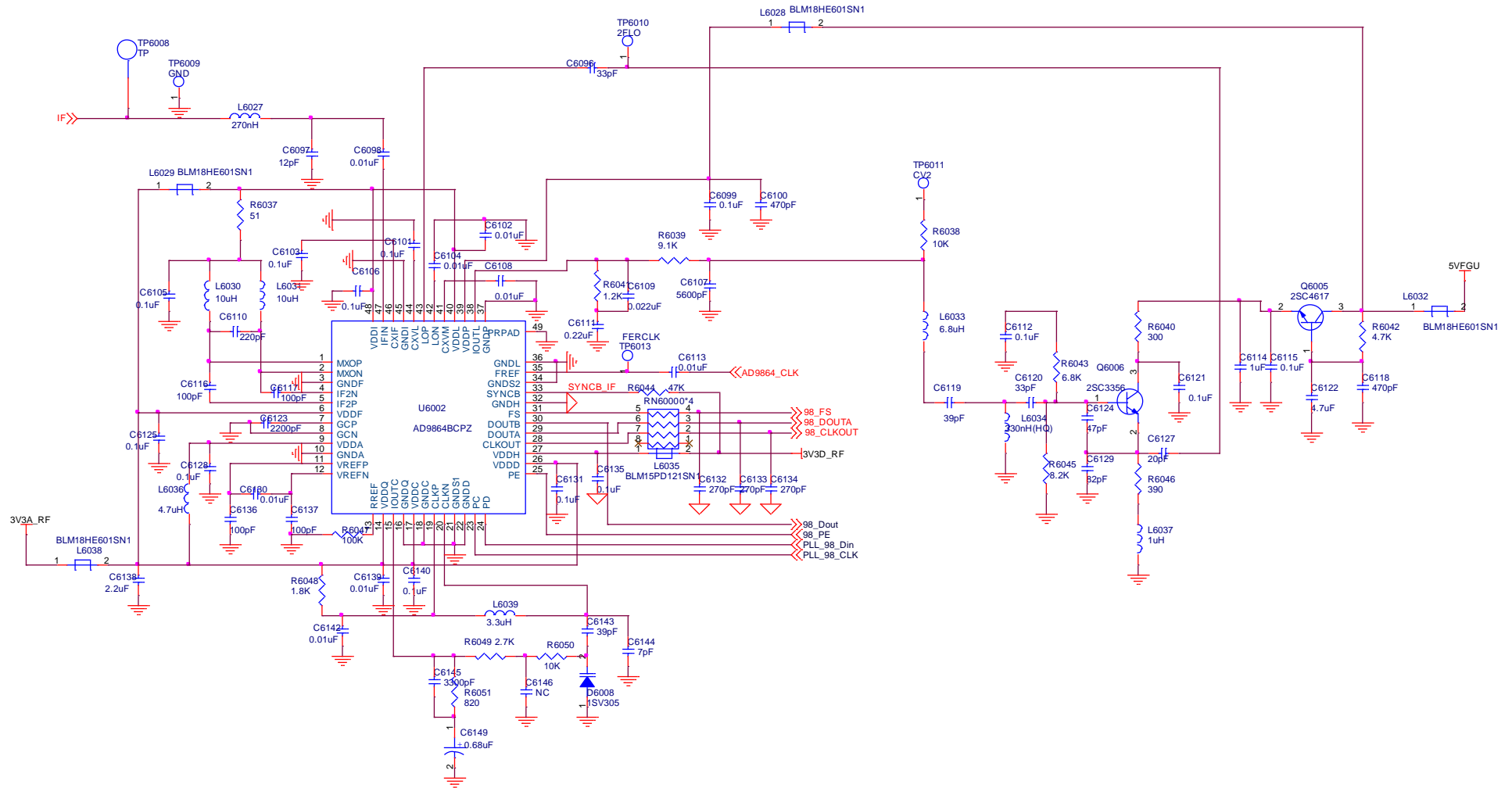


# 16 Connector

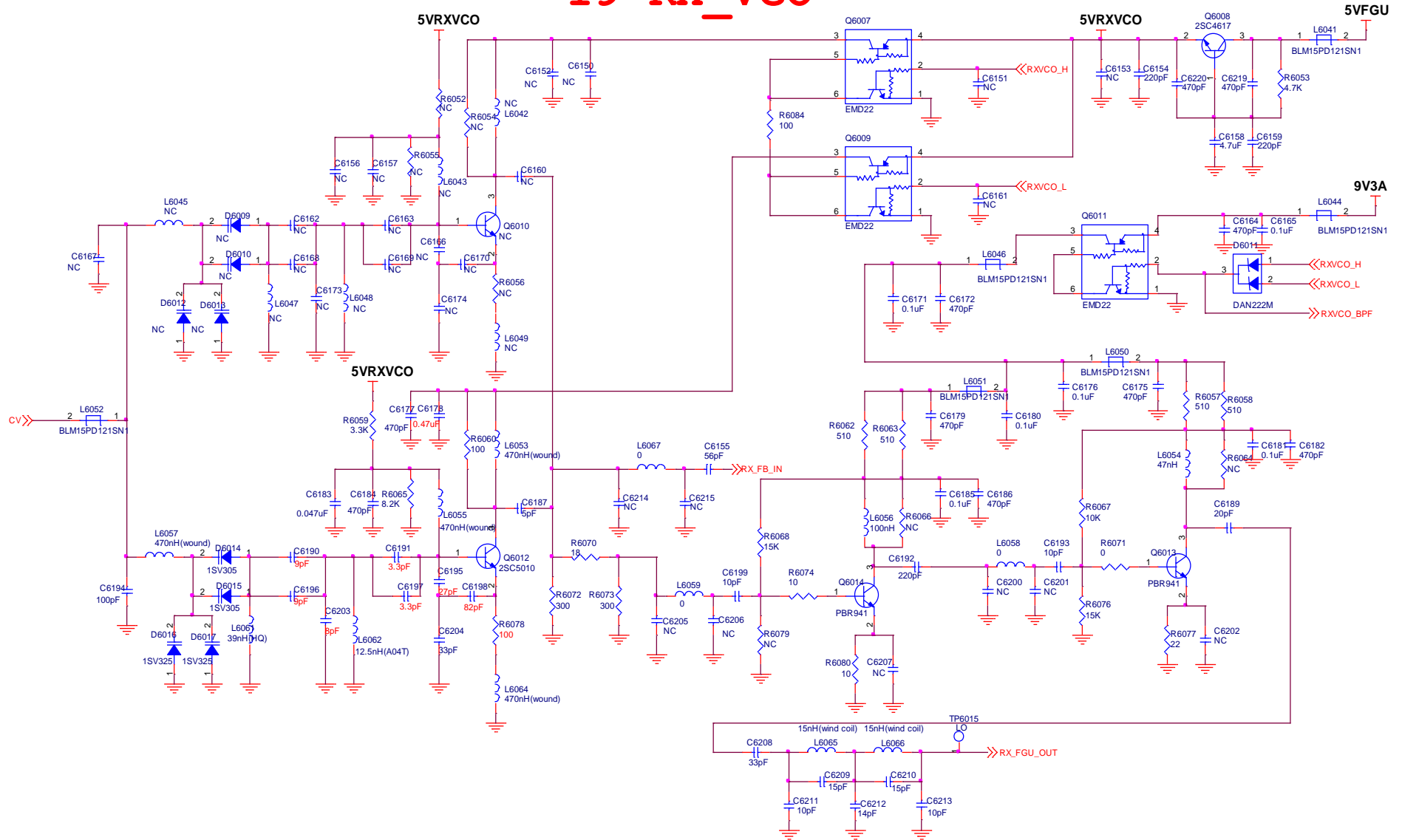




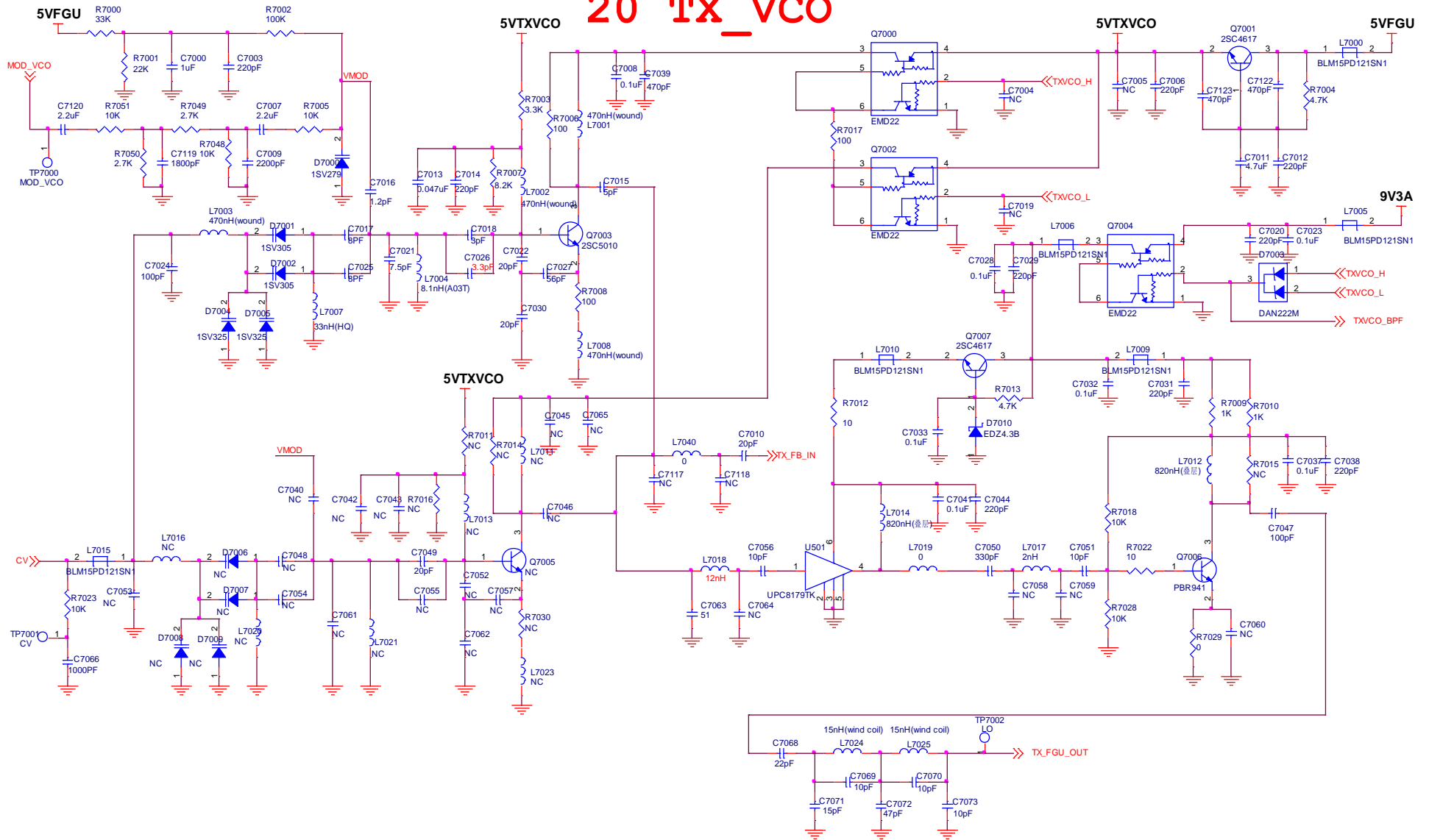
# 18 AD9864



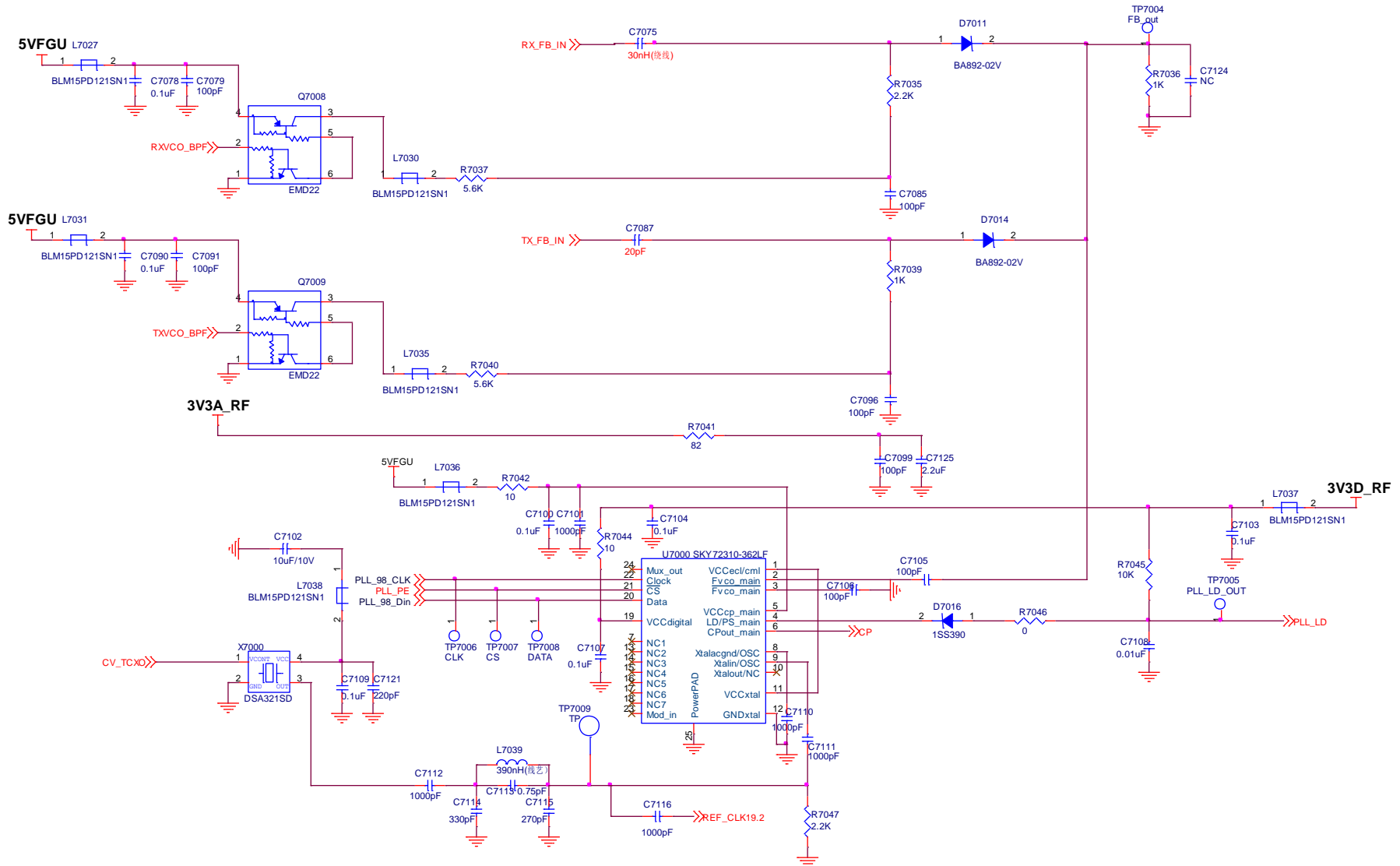
# 19 RX\_VCO



# 20 TX\_VCO

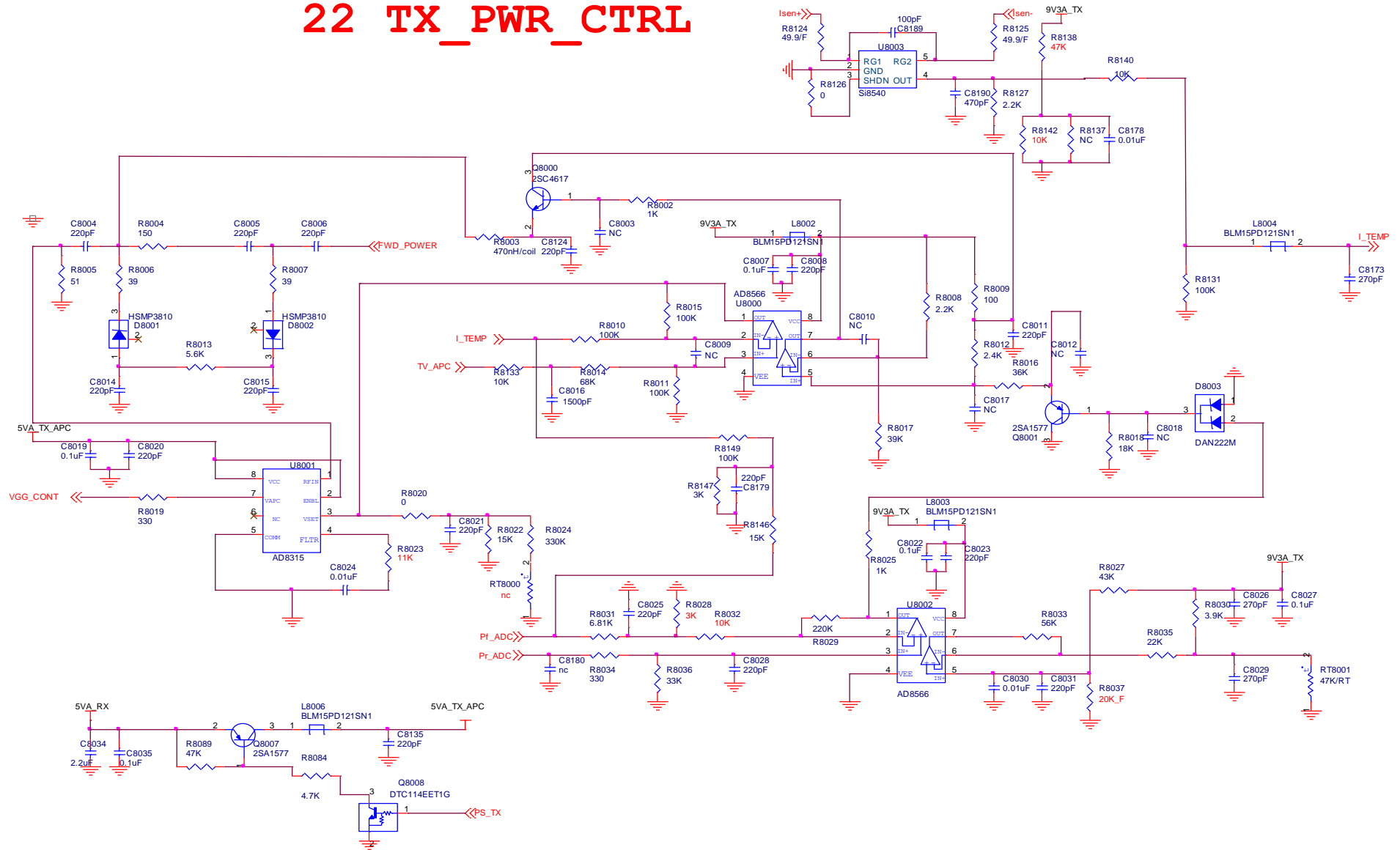


# 21 PLL





# 22 TX\_PWR\_CTRL



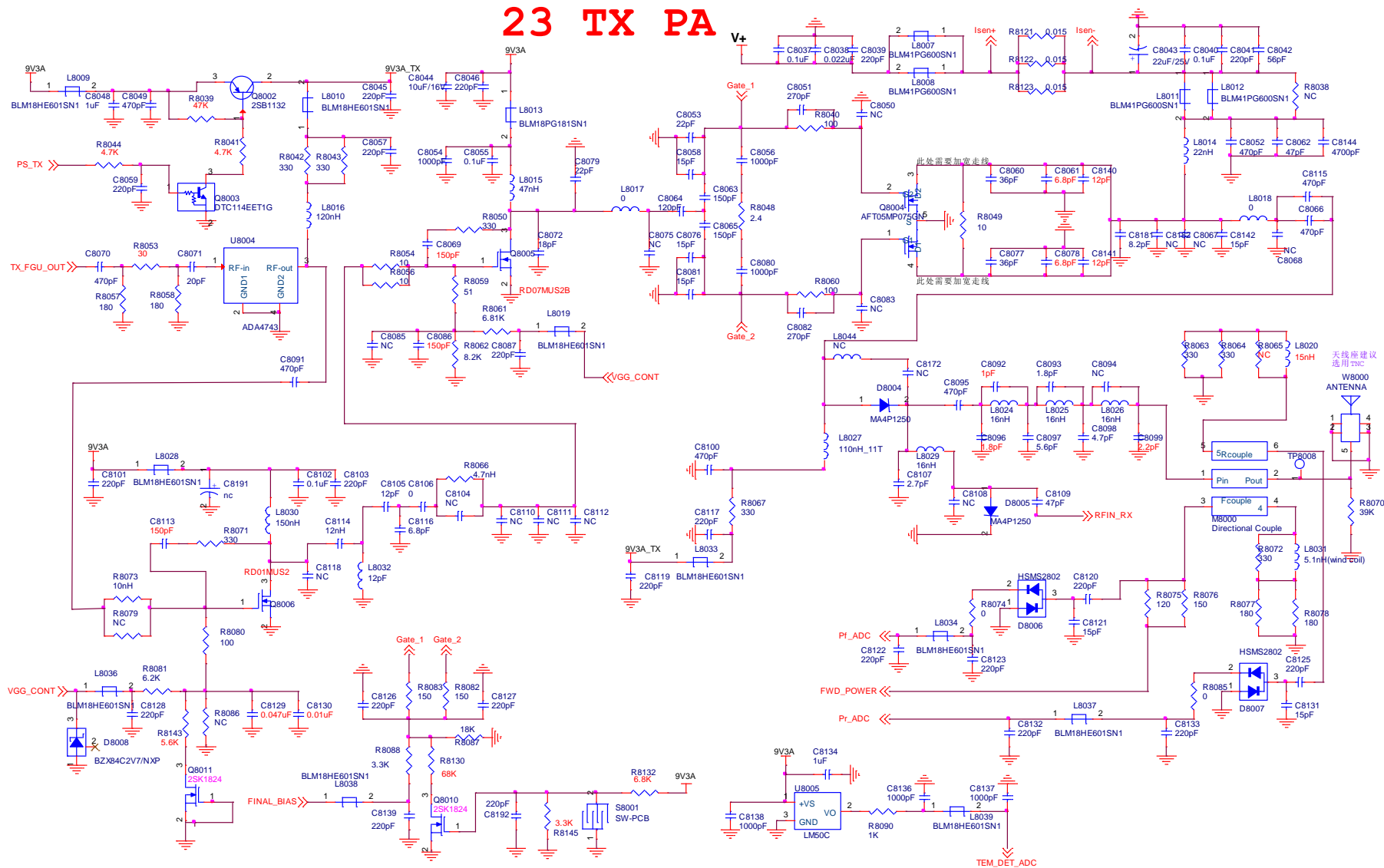


Figure 7-7 Schematic Diagram

## 7.7 Parts List

### RDR9000 TX Board

No.	Ref. No.	Print No.	Part No.	Description
1	R5134	T6K	ERC02000J000	0 Ω
2	R5135	T6K	ERC02000J000	0 Ω
3	R6007	B12J	ERC02000J000	0 Ω
4	R6010	B12J	ERC02000J000	0 Ω
5	C6021	B12J	ERC02000J000	0 Ω
6	R6071	T12J	ERC02000J000	0 Ω
7	C6090	B15I	ERC02000J000	0 Ω
8	R7029	T8J	ERC02000J000	0 Ω
9	R7046	T10K	ERC02000J000	0 Ω
10	R8020	T14G	ERC02000J000	0 Ω
11	R8074	T15D	ERC02000J000	0 Ω
12	R8085	T14B	ERC02000J000	0 Ω
13	C8089	T8H	ERC02000J000	0 Ω
14	C8106	T9H	ERC02000J000	0 Ω
15	R8119	T15K	ERC02000J000	0 Ω
16	R8126	B7B	ERC02000J000	0 Ω
17	R1022	T6D	ERC03000J000	0 Ω
18	R1026	B7C	ERC03000J000	0 Ω
19	R5147	T4B	ERC03000J000	0 Ω
20	R5148	T4A	ERC03000J000	0 Ω
21	L6015	B14H	ERC03000J000	0 Ω
22	L7019	T8J	ERC03000J000	0 Ω
23	L7040	B9J	ERC03000J000	0 Ω
24	R3117	B2E	ERC05000J000	0 Ω
25	L8017	T9G	ERC05000J000	0 Ω
26	R8121	B8C	ERC0615CF000	0.015 Ω
27	R8122	B8B	ERC0615CF000	0.015 Ω
28	R8123	B8B	ERC0615CF000	0.015 Ω
29	R5057	B5B	ERC2550BF000	0.5 Ω
30	R8048	T9G	ERC0624AF000	2.4 Ω
31	C2041	T6I	ERC0233AF000	3.3 Ω
32	R6075	B12H	ERC0247AJ000	4.7 Ω
33	R4038	T2D	ERC0256AF000	5.6 Ω
34	R1021	B7C	ERC03100J000	10 Ω

No.	Ref. No.	Print No.	Part No.	Description
35	R1036	T3D	ERC03100J000	10 Ω
36	R8047	T10H	ERC03100J000	10 Ω
37	R8051	T10H	ERC03100J000	10 Ω
38	R8054	T10H	ERC03100J000	10 Ω
39	R8056	T10H	ERC03100J000	10 Ω
40	R2013	B3I	ERC02100J000	10 Ω
41	R2016	B3I	ERC02100J000	10 Ω
42	R6074	T12K	ERC02100J000	10 Ω
43	R6080	T12K	ERC02100J000	10 Ω
44	R7012	T8J	ERC02100J000	10 Ω
45	R7022	T8J	ERC02100J000	10 Ω
46	R7042	T9J	ERC02100J000	10 Ω
47	R7044	T10K	ERC02100J000	10 Ω
48	R8049	T9D	ERC06100J000	10 Ω
49	R6070	B11J	ERC02180J000	18 Ω
50	R6077	T12J	ERC02220J000	22 Ω
51	R8053	T8H	ERC02300J000	30 Ω
52	R1003	T7E	ERC02330J000	33 Ω
53	R1035	T3D	ERC02330J000	33 Ω
54	R1058	B2J	ERC02330J000	33 Ω
55	R2011	B3I	ERC02330J000	33 Ω
56	R2012	T2J	ERC02330J000	33 Ω
57	R2014	T4J	ERC02330J000	33 Ω
58	R2015	T4J	ERC02330J000	33 Ω
59	R2017	B3J	ERC02330J000	33 Ω
60	R2037	B4I	ERC02330J000	33 Ω
61	R2038	B5J	ERC02330J000	33 Ω
62	R2039	T4I	ERC02330J000	33 Ω
63	R2041	T3H	ERC02330J000	33 Ω
64	R2042	T4H	ERC02330J000	33 Ω
65	R2043	T4I	ERC02330J000	33 Ω
66	R2044	T4J	ERC02330J000	33 Ω
67	R2045	B4J	ERC02330J000	33 Ω
68	R2046	T4J	ERC02330J000	33 Ω
69	R2047	T4H	ERC02330J000	33 Ω
70	R2048	T4H	ERC02330J000	33 Ω
71	R2049	B4I	ERC02330J000	33 Ω

No.	Ref. No.	Print No.	Part No.	Description
72	R2050	T3J	ERC02330J000	33 Ω
73	R2051	T4J	ERC02330J000	33 Ω
74	R2052	T4H	ERC02330J000	33 Ω
75	R2053	T4I	ERC02330J000	33 Ω
76	R2054	T3J	ERC02330J000	33 Ω
77	R2055	T4I	ERC02330J000	33 Ω
78	R2056	T4I	ERC02330J000	33 Ω
79	R2057	T4H	ERC02330J000	33 Ω
80	R2058	T4H	ERC02330J000	33 Ω
81	R2059	T4J	ERC02330J000	33 Ω
82	R2060	T4H	ERC02330J000	33 Ω
83	R2061	T4J	ERC02330J000	33 Ω
84	R2068	T4K	ERC02330J000	33 Ω
85	R2069	T4K	ERC02330J000	33 Ω
86	R2070	T4K	ERC02330J000	33 Ω
87	R2072	T4K	ERC02330J000	33 Ω
88	R2074	T5K	ERC02330J000	33 Ω
89	R2075	T5K	ERC02330J000	33 Ω
90	R2076	T4K	ERC02330J000	33 Ω
91	R2077	T5K	ERC02330J000	33 Ω
92	R2078	T5K	ERC02330J000	33 Ω
93	R2079	T5K	ERC02330J000	33 Ω
94	R2087	B3J	ERC02330J000	33 Ω
95	R2088	B3J	ERC02330J000	33 Ω
96	R2090	T2J	ERC02330J000	33 Ω
97	R2093	T2J	ERC02330J000	33 Ω
98	R2095	T2J	ERC02330J000	33 Ω
99	R2100	B3J	ERC02330J000	33 Ω
100	R3001	T3G	ERC02330J000	33 Ω
101	R3006	B6H	ERC02330J000	33 Ω
102	R3007	B6H	ERC02330J000	33 Ω
103	R3008	B6H	ERC02330J000	33 Ω
104	R3009	B6H	ERC02330J000	33 Ω
105	R3010	B6H	ERC02330J000	33 Ω
106	R3014	B5F	ERC02330J000	33 Ω
107	R3024	B4G	ERC02330J000	33 Ω
108	R3030	B3G	ERC02330J000	33 Ω

No.	Ref. No.	Print No.	Part No.	Description
109	R3038	B4G	ERC02330J000	33 Ω
110	R3039	B3G	ERC02330J000	33 Ω
111	R3054	B4I	ERC02330J000	33 Ω
112	R3056	B4I	ERC02330J000	33 Ω
113	R3057	B4I	ERC02330J000	33 Ω
114	R3089	T2H	ERC02330J000	33 Ω
115	R3102	T3G	ERC02330J000	33 Ω
116	R3103	T3G	ERC02330J000	33 Ω
117	R4032	T1D	ERC02330J000	33 Ω
118	R4033	T1D	ERC02330J000	33 Ω
119	R4035	T1D	ERC02330J000	33 Ω
120	R4036	T2K	ERC02330J000	33 Ω
121	R5000	B3E	ERC02330J000	33 Ω
122	R5004	B4F	ERC02330J000	33 Ω
123	R5005	B2E	ERC02330J000	33 Ω
124	R5006	B2E	ERC02330J000	33 Ω
125	R5008	B2E	ERC02330J000	33 Ω
126	R5013	B2D	ERC02330J000	33 Ω
127	R5015	B2D	ERC02330J000	33 Ω
128	R5018	B6D	ERC02330J000	33 Ω
129	R5022	B3H	ERC02330J000	33 Ω
130	R5023	B3H	ERC02330J000	33 Ω
131	R5025	B3H	ERC02330J000	33 Ω
132	R5026	B3H	ERC02330J000	33 Ω
133	R5027	B4H	ERC02330J000	33 Ω
134	R5028	B2H	ERC02330J000	33 Ω
135	R5029	B3H	ERC02330J000	33 Ω
136	R5030	B3H	ERC02330J000	33 Ω
137	R5031	B4E	ERC02330J000	33 Ω
138	R5034	B4H	ERC02330J000	33 Ω
139	R5036	B4H	ERC02330J000	33 Ω
140	R5037	B4H	ERC02330J000	33 Ω
141	R5038	B4D	ERC02330J000	33 Ω
142	R5039	B4H	ERC02330J000	33 Ω
143	R5048	B4D	ERC02330J000	33 Ω
144	R5059	B4D	ERC02330J000	33 Ω
145	R5060	B5I	ERC02330J000	33 Ω

No.	Ref. No.	Print No.	Part No.	Description
146	R5061	B5I	ERC02330J000	33 Ω
147	R5063	B5I	ERC02330J000	33 Ω
148	R5064	B4J	ERC02330J000	33 Ω
149	R5066	B5I	ERC02330J000	33 Ω
150	R5073	B3D	ERC02330J000	33 Ω
151	R5076	B2J	ERC02330J000	33 Ω
152	R5079	B3D	ERC02330J000	33 Ω
153	R5080	B6D	ERC02330J000	33 Ω
154	R5088	B5J	ERC02330J000	33 Ω
155	R5089	B3E	ERC02330J000	33 Ω
156	R5091	B5I	ERC02330J000	33 Ω
157	R5092	B3D	ERC02330J000	33 Ω
158	R5094	B5I	ERC02330J000	33 Ω
159	R5101	T3B	ERC02330J000	33 Ω
160	R5102	T3B	ERC02330J000	33 Ω
161	R5104	T4B	ERC02330J000	33 Ω
162	R5105	T4B	ERC02330J000	33 Ω
163	R5106	T4B	ERC02330J000	33 Ω
164	R5111	T3B	ERC02330J000	33 Ω
165	R5112	T4B	ERC02330J000	33 Ω
166	R5113	T5A	ERC02330J000	33 Ω
167	R5115	T2A	ERC02330J000	33 Ω
168	R5116	T2A	ERC02330J000	33 Ω
169	C2042	T6I	ECC15102K000	1000 pF
170	C2060	T1I	ECC15102K000	1000 pF
171	C2161	T7I	ECC15102K000	1000 pF
172	C4000	B6I	ECC15102K000	1000 pF
173	C4005	B6J	ECC15102K000	1000 pF
174	C4024	T9J	ECC15102K000	1000 pF
175	C4053	T10J	ECC15102K000	1000 pF
176	C4057	T10J	ECC15102K000	1000 pF
177	C6082	B14H	ECC15102K000	1000 pF
178	C7066	B10I	ECC15102K000	1000 pF
179	C7101	T10J	ECC15102K000	1000 pF
180	C7110	T10J	ECC15102K000	1000 pF
181	C7111	T9J	ECC15102K000	1000 pF
182	C7112	T9K	ECC15102K000	1000 pF

No.	Ref. No.	Print No.	Part No.	Description
183	C7116	T9J	ECC15102K000	1000 pF
184	C8136	B8G	ECC15102K000	1000 pF
185	C8137	B8G	ECC15102K000	1000 pF
186	C8138	B8F	ECC15102K000	1000 pF
187	C8054	T10G	ECC18102K000	1000 pF
188	C8056	T9G	ECC18102K000	1000 pF
189	C8080	T10G	ECC18102K000	1000 pF
190	R1010	T7G	ERC02104F000	100 kΩ
191	R2018	T6J	ERC02104F000	100 kΩ
192	R2019	T6J	ERC02104F000	100 kΩ
193	R2020	T6K	ERC02104F000	100 kΩ
194	R3016	B5G	ERC02104F000	100 kΩ
195	R3021	B5F	ERC02104F000	100 kΩ
196	R3026	B3G	ERC02104F000	100 kΩ
197	R3028	B4G	ERC02104F000	100 kΩ
198	R3032	B4G	ERC02104F000	100 kΩ
199	R3036	B3G	ERC02104F000	100 kΩ
200	R3040	B4G	ERC02104F000	100 kΩ
201	R3043	B4G	ERC02104F000	100 kΩ
202	R3064	T5G	ERC02104F000	100 kΩ
203	R3067	T3H	ERC02104F000	100 kΩ
204	R3069	T5G	ERC02104F000	100 kΩ
205	R3093	T3G	ERC02104F000	100 kΩ
206	R3095	T1F	ERC02104F000	100 kΩ
207	R4000	B7I	ERC02104F000	100 kΩ
208	R4004	B7I	ERC02104F000	100 kΩ
209	C5033	T4B	ECC15101J000	100 pF
210	C5034	T4B	ECC15101J000	100 pF
211	C5035	T4B	ECC15101J000	100 pF
212	C5036	T3B	ECC15101J000	100 pF
213	C5037	T3B	ECC15101J000	100 pF
214	C5044	B7K	ECC15101J000	100 pF
215	C5045	B6K	ECC15101J000	100 pF
216	C5046	B6K	ECC15101J000	100 pF
217	C5047	B4K	ECC15101J000	100 pF
218	C5048	B5K	ECC15101J000	100 pF
219	C5049	B4K	ECC15101J000	100 pF



No.	Ref. No.	Print No.	Part No.	Description
220	C5050	B5K	ECC15101J000	100 pF
221	C5051	B6K	ECC15101J000	100 pF
222	C5055	T6J	ECC15101J000	100 pF
223	C5056	T5J	ECC15101J000	100 pF
224	C5057	T5K	ECC15101J000	100 pF
225	C5058	T5J	ECC15101J000	100 pF
226	C5059	B6K	ECC15101J000	100 pF
227	C5064	B5I	ECC15101J000	100 pF
228	C5066	B5I	ECC15101J000	100 pF
229	C5069	B3B	ECC15101J000	100 pF
230	C6012	B14F	ECC15101J000	100 pF
231	C6034	B13G	ECC15101J000	100 pF
232	C6116	B15J	ECC15101J000	100 pF
233	C6117	B15J	ECC15101J000	100 pF
234	C6136	B15J	ECC15101J000	100 pF
235	C6137	B15K	ECC15101J000	100 pF
236	C6194	B10I	ECC15101J000	100 pF
237	C7024	B8I	ECC15101J000	100 pF
238	C7079	T11K	ECC15101J000	100 pF
239	C7085	B10K	ECC15101J000	100 pF
240	C7091	T9J	ECC15101J000	100 pF
241	C7096	B9K	ECC15101J000	100 pF
242	C7099	T10K	ECC15101J000	100 pF
243	C7105	T10J	ECC15101J000	100 pF
244	C7106	T10J	ECC15101J000	100 pF
245	C8189	B8B	ECC15101J000	100 pF
246	R1029	T5C	ERC02103F000	10 kΩ
247	R1045	T4C	ERC02103F000	10 kΩ
248	R1050	T4C	ERC02103F000	10 kΩ
249	R1052	T5C	ERC02103F000	10 kΩ
250	R1054	T4C	ERC02103F000	10 kΩ
251	R1056	T5C	ERC02103F000	10 kΩ
252	R2003	B2I	ERC02103F000	10 kΩ
253	R2009	T3J	ERC02103F000	10 kΩ
254	R3017	B5I	ERC02103F000	10 kΩ
255	R3020	B5I	ERC02103F000	10 kΩ
256	R3034	B4H	ERC02103F000	10 kΩ

No.	Ref. No.	Print No.	Part No.	Description
257	R3044	B4H	ERC02103F000	10 kΩ
258	R3045	B4H	ERC02103F000	10 kΩ
259	R3049	B4H	ERC02103F000	10 kΩ
260	R3055	B4H	ERC02103F000	10 kΩ
261	R3058	B4H	ERC02103F000	10 kΩ
262	R3060	B4H	ERC02103F000	10 kΩ
263	R3061	T4F	ERC02103F000	10 kΩ
264	R3062	T4F	ERC02103F000	10 kΩ
265	R3065	T3H	ERC02103F000	10 kΩ
266	R3068	T3H	ERC02103F000	10 kΩ
267	R3076	T5G	ERC02103F000	10 kΩ
268	R3077	T5G	ERC02103F000	10 kΩ
269	R3078	T5G	ERC02103F000	10 kΩ
270	R3094	T1F	ERC02103F000	10 kΩ
271	R4002	B6J	ERC02103F000	10 kΩ
272	R4003	B6J	ERC02103F000	10 kΩ
273	R4019	B6I	ERC02103F000	10 kΩ
274	R4021	B6I	ERC02103F000	10 kΩ
275	R4069	T11J	ERC02103F000	10 kΩ
276	R4070	T2K	ERC02103F000	10 kΩ
277	R4071	T2J	ERC02103F000	10 kΩ
278	R5003	B2D	ERC02103F000	10 kΩ
279	R5011	B2D	ERC02103F000	10 kΩ
280	R5012	B2D	ERC02103F000	10 kΩ
281	R5020	B4D	ERC02103F000	10 kΩ
282	R5033	B2H	ERC02103F000	10 kΩ
283	R5035	B3H	ERC02103F000	10 kΩ
284	R5042	B5B	ERC02103F000	10 kΩ
285	R5045	B4D	ERC02103F000	10 kΩ
286	R5053	B5B	ERC02103F000	10 kΩ
287	R5062	B5I	ERC02103F000	10 kΩ
288	R5069	B3D	ERC02103F000	10 kΩ
289	R5083	B3D	ERC02103F000	10 kΩ
290	R5093	T1B	ERC02103F000	10 kΩ
291	C1024	T6G	ECC15100G000	10 pF
292	C3075	T4G	ECC15100G000	10 pF
293	C3087	T4G	ECC15100G000	10 pF

No.	Ref. No.	Print No.	Part No.	Description
294	C4112	T2B	ECC15100G000	10 pF
295	C6061	B13H	ECC15100G000	10 pF
296	C6086	B15H	ECC15100G000	10 pF
297	C6155	B10K	ECC15100G000	10 pF
298	C6193	T12J	ECC15100G000	10 pF
299	C6199	T12K	ECC15100G000	10 pF
300	C6200	T12K	ECC15100G000	10 pF
301	C6212	T12I	ECC15100G000	10 pF
302	C7051	T8J	ECC15100G000	10 pF
303	C7056	T8J	ECC15100G000	10 pF
304	C7077	B10K	ECC15100G000	10 pF
305	C7089	B9K	ECC15100G000	10 pF
306	L4007	T2K	ECC18100J000	10 pF
307	C4001	B6I	ECC21106K000	10 μF
308	C7102	T9K	ECC21106K000	10 μF
309	C8044	B10H	ECC31106K000	10 μF
310	C3114	B3E	ECC31106K001	10 μF
311	L6030	B15I	ELL00103J000	10 μH
312	L6031	B15J	ELL00103J000	10 μH
313	L8027	B12A	ELH001110000	111 nH
314	R8023	T14G	ERC02113J000	11 kΩ
315	L6062	B10J	ELH00125A000	12.5 nH
316	L8016	T8H	ELW18121J000	120 nH
317	C3050	B3G	ECC15121J000	120 pF
318	C8064	T9G	ECC18121J000	120 pF
319	C8114	T9H	ELW18120J000	12 nH
320	L6065	T12J	ELW18120J000	12 nH
321	L6066	T12J	ELW18120J000	12 nH
322	C6035	B14G	ECC15120J000	12 pF
323	C6097	B15I	ECC15120J000	12 pF
324	C8105	T9H	ECC15120J000	12 pF
325	L8032	T9H	ECC18120J000	12 pF
326	C8074	T10G	ECC18120J000	12 pF
327	C8140	T9D	ECC22120J000	12 pF
328	C8141	T10D	ECC22120J000	12 pF
329	L6061	B10I	ELH00140G000	14 nH
330	C6032	B13F	ECC15140J000	14 pF

No.	Ref. No.	Print No.	Part No.	Description
331	C2002	B3I	ECC15152K000	1500 pF
332	C2006	B3I	ECC15152K000	1500 pF
333	C2010	B3I	ECC15152K000	1500 pF
334	C2014	B3I	ECC15152K000	1500 pF
335	C2018	B3I	ECC15152K000	1500 pF
336	C2022	B3I	ECC15152K000	1500 pF
337	C2026	B3I	ECC15152K000	1500 pF
338	C2030	B3I	ECC15152K000	1500 pF
339	C8016	T14G	ECC15152K000	1500 pF
340	R7005	B9J	ERC02154F000	150 kΩ
341	L6007	B14F	ELW18151G001	150 nH
342	L8030	T9H	ELW18151G001	150 nH
343	C8086	T10H	ECC15151J000	150 pF
344	C8063	T9G	ECC18151J000	150 pF
345	C8065	T10G	ECC18151J000	150 pF
346	C8069	T10H	ECC18151J000	150 pF
347	C8113	T9H	ECC18151J000	150 pF
348	R1040	T5B	ERC02153F000	15 kΩ
349	R3027	B5I	ERC02153F000	15 kΩ
350	R5040	B6B	ERC02153F000	15 kΩ
351	R6067	T12J	ERC02153F000	15 kΩ
352	R6068	T12K	ERC02153F000	15 kΩ
353	R7018	T8J	ERC02153F000	15 kΩ
354	R8022	T14G	ERC02153F000	15 kΩ
355	R8146	T14G	ERC02153F000	15 kΩ
356	L6004	B13J	ELW18150G000	15 nH
357	L6005	B13J	ELW18150G000	15 nH
358	L6006	B13I	ELW18150G000	15 nH
359	L7018	T8J	ELW18150G000	15 nH
360	L8020	T14D	ELW18150G000	15 nH
361	C4079	T2K	ECC15150J000	15 pF
362	C8121	T15D	ECC15150J000	15 pF
363	C8131	T14B	ECC15150J000	15 pF
364	C8047	T9G	ECC18150J000	15 pF
365	C8058	T9G	ECC18150J000	15 pF
366	C8076	T10G	ECC18150J000	15 pF
367	C8081	T10G	ECC18150J000	15 pF

No.	Ref. No.	Print No.	Part No.	Description
368	C8142	T10B	ECC22150J000	15 pF
369	R1009	T6G	ERC02163F000	16 kΩ
370	R3072	T3H	ERC02163F000	16 kΩ
371	R5010	B4F	ERC02163F000	16 kΩ
372	R5014	B2C	ERC02163F000	16 kΩ
373	R5021	B6D	ERC02163F000	16 kΩ
374	R5032	B4D	ERC02163F000	16 kΩ
375	R5051	B4D	ERC02163F000	16 kΩ
376	R5068	B4J	ERC02163F000	16 kΩ
377	R5074	B4D	ERC02163F000	16 kΩ
378	R5081	B2J	ERC02163F000	16 kΩ
379	R5082	B6D	ERC02163F000	16 kΩ
380	R5090	B4D	ERC02163F000	16 kΩ
381	R5153	B5D	ERC02163F000	16 kΩ
382	L8024	T12C	ELH00160K000	16 nH
383	L8025	T13D	ELH00160K000	16 nH
384	L8026	T12E	ELH00160K000	16 nH
385	L8029	T13A	ELH00160K000	16 nH
386	C7072	T8I	ECC15160J000	16 pF
387	C7082	B10K	ECC15160J000	16 pF
388	C7022	B9J	ECC18160J000	16 pF
389	C7030	B10J	ECC18160J000	16 pF
390	L6012	B15F	ELH00170Z000	17 nH
391	L6018	B12G	ELH00170Z000	17 nH
392	L6020	B15G	ELH00170Z000	17 nH
393	L6023	B12F	ELH00170Z000	17 nH
394	L7007	B9I	ELH00170Z000	17 nH
395	C7009	B9I	ECC15182J001	1800 pF
396	R1043	T4B	ERC02184J000	180 kΩ
397	R1046	T4B	ERC02184J000	180 kΩ
398	R3015	B5F	ERC02183F000	18 kΩ
399	R3025	B4G	ERC02183F000	18 kΩ
400	R3033	B4G	ERC02183F000	18 kΩ
401	R8018	T13G	ERC02183F000	18 kΩ
402	R8087	B9F	ERC02183F000	18 kΩ
403	R8097	T14G	ERC02183F000	18 kΩ
404	L7032	B9K	ELW18180J000	18 nH

No.	Ref. No.	Print No.	Part No.	Description
405	C6033	B14G	ECC15180J000	18 pF
406	C7094	B9K	ECC15180J000	18 pF
407	C7095	B9K	ECC15180J000	18 pF
408	C8072	T11G	ECC18180J000	18 pF
409	C8073	T10G	ECC18180J000	18 pF
410	R1017	T11F	ERC02102J000	1 kΩ
411	R1031	T5D	ERC02102J000	1 kΩ
412	R1034	T4D	ERC02102J000	1 kΩ
413	R1041	T4B	ERC02102J000	1 kΩ
414	R2094	T3H	ERC02102J000	1 kΩ
415	R3070	T3G	ERC02102J000	1 kΩ
416	R3079	T3G	ERC02102J000	1 kΩ
417	R3080	T3G	ERC02102J000	1 kΩ
418	R3097	T3G	ERC02102J000	1 kΩ
419	R4006	B6J	ERC02102J000	1 kΩ
420	R4009	B7J	ERC02102J000	1 kΩ
421	R4013	B7J	ERC02102J000	1 kΩ
422	R4031	T1D	ERC02102J000	1 kΩ
423	R5007	B4F	ERC02102J000	1 kΩ
424	R5110	T3B	ERC02102J000	1 kΩ
425	R5121	T4A	ERC02102J000	1 kΩ
426	R7000	B8J	ERC02102J000	1 kΩ
427	R7009	T8J	ERC02102J000	1 kΩ
428	R7010	T8J	ERC02102J000	1 kΩ
429	R7036	B10J	ERC02102J000	1 kΩ
430	R7039	B9K	ERC02102J000	1 kΩ
431	R8002	T13G	ERC02102J000	1 kΩ
432	R8025	T14F	ERC02102J000	1 kΩ
433	R8090	B8F	ERC02102J000	1 kΩ
434	R1008	T6H	ERC02105F000	1 MΩ
435	R3063	T4G	ERC02105F000	1 MΩ
436	R8128	T13G	ERC02105F000	1 MΩ
437	R8141	T13F	ERC02105F000	1 MΩ
438	C7016	B9J	ECC1810AB000	1 pF
439	C7086	B9K	ECC1510AB000	1 pF
440	C8092	T13C	ECC2210AC000	1 pF
441	D1003	T6C	EDSS01030000	Switching diode

No.	Ref. No.	Print No.	Part No.	Description
442	D4000	T1D	EDSS03040001	Switching diode
443	D7016	T10K	EDSS03040001	Switching diode
444	D7000	B9J	EDVS01010000	Varactor diode
445	D6008	B14K	EDVS01010001	Varactor diode
446	D6014	B10I	EDVS01010001	Varactor diode
447	D6016	B10I	EDVS01010001	Varactor diode
448	D7001	B9I	EDVS01010001	Varactor diode
449	D7004	B9I	EDVS01010001	Varactor diode
450	D6001	B14G	EDVS01010004	Varactor diode
451	D6003	B14F	EDVS01010004	Varactor diode
452	D6004	B14F	EDVS01010004	Varactor diode
453	D6018	B12F	EDVS01010004	Varactor diode
454	D6019	B12G	EDVS01010004	Varactor diode
455	D6020	B12F	EDVS01010004	Varactor diode
456	D6021	B12F	EDVS01010004	Varactor diode
457	D6022	B14G	EDVS01010004	Varactor diode
458	D6007	T14I	EDVS01010002	Varactor diode
459	D6023	B14F	EDVS01010002	Varactor diode
460	C1022	T6G	ECC15105K000	1 $\mu$ F
461	C1036	T5H	ECC15105K000	1 $\mu$ F
462	C1050	T5G	ECC15105K000	1 $\mu$ F
463	C1070	T6F	ECC15105K000	1 $\mu$ F
464	C1078	T1J	ECC15105K000	1 $\mu$ F
465	C1087	T4F	ECC15105K000	1 $\mu$ F
466	C1098	T3D	ECC15105K000	1 $\mu$ F
467	C1103	T12H	ECC15105K000	1 $\mu$ F
468	C1110	T12H	ECC15105K000	1 $\mu$ F
469	C2033	T7I	ECC15105K000	1 $\mu$ F
470	C2038	B2I	ECC15105K000	1 $\mu$ F
471	C2039	B2I	ECC15105K000	1 $\mu$ F
472	C2047	B2I	ECC15105K000	1 $\mu$ F
473	C2057	T1I	ECC15105K000	1 $\mu$ F
474	C2062	B3I	ECC15105K000	1 $\mu$ F
475	C2066	T5J	ECC15105K000	1 $\mu$ F
476	C2153	B1H	ECC15105K000	1 $\mu$ F
477	C3048	B4H	ECC15105K000	1 $\mu$ F
478	C3049	B5H	ECC15105K000	1 $\mu$ F

No.	Ref. No.	Print No.	Part No.	Description
479	C3063	B5H	ECC15105K000	1 $\mu$ F
480	C3068	B5H	ECC15105K000	1 $\mu$ F
481	C3073	B5H	ECC15105K000	1 $\mu$ F
482	C3077	T3H	ECC15105K000	1 $\mu$ F
483	C3078	T3H	ECC15105K000	1 $\mu$ F
484	C3079	T3H	ECC15105K000	1 $\mu$ F
485	C3080	T3H	ECC15105K000	1 $\mu$ F
486	C3088	T3G	ECC15105K000	1 $\mu$ F
487	C3097	T3H	ECC15105K000	1 $\mu$ F
488	C3106	T3H	ECC15105K000	1 $\mu$ F
489	C3108	T3H	ECC15105K000	1 $\mu$ F
490	C4002	B7I	ECC15105K000	1 $\mu$ F
491	C4018	B6I	ECC15105K000	1 $\mu$ F
492	C4021	T10J	ECC15105K000	1 $\mu$ F
493	C5008	B5B	ECC15105K000	1 $\mu$ F
494	C5052	T3D	ECC15105K000	1 $\mu$ F
495	C6009	B12F	ECC15105K000	1 $\mu$ F
496	C6114	T14H	ECC15105K000	1 $\mu$ F
497	C6180	T11J	ECC15105K000	1 $\mu$ F
498	C6181	T12J	ECC15105K000	1 $\mu$ F
499	C6182	T12J	ECC15105K000	1 $\mu$ F
500	C6185	T12J	ECC15105K000	1 $\mu$ F
501	C1052	T12H	ECC18105K000	1 $\mu$ F
502	C1059	T12G	ECC18105K000	1 $\mu$ F
503	C1079	T3F	ECC18105K000	1 $\mu$ F
504	C3003	T2F	ECC18105K000	1 $\mu$ F
505	C3008	B6G	ECC18105K000	1 $\mu$ F
506	C3020	T2G	ECC18105K000	1 $\mu$ F
507	C3026	B4F	ECC18105K000	1 $\mu$ F
508	C3027	B5H	ECC18105K000	1 $\mu$ F
509	C3029	B5F	ECC18105K000	1 $\mu$ F
510	C3040	B4G	ECC18105K000	1 $\mu$ F
511	C1067	T6G	ECC18225K000	2.2 $\mu$ F
512	C1073	T4E	ECC18225K000	2.2 $\mu$ F
513	C1082	T2J	ECC18225K000	2.2 $\mu$ F
514	C1090	T2D	ECC18225K000	2.2 $\mu$ F
515	C1094	T4F	ECC18225K000	2.2 $\mu$ F



No.	Ref. No.	Print No.	Part No.	Description
516	C1106	T12H	ECC18225K000	2.2 $\mu$ F
517	C1113	T12I	ECC18225K000	2.2 $\mu$ F
518	C3022	B5H	ECC18225K000	2.2 $\mu$ F
519	C3034	B5I	ECC18225K000	2.2 $\mu$ F
520	C3081	T3G	ECC18225K000	2.2 $\mu$ F
521	C3082	T3G	ECC18225K000	2.2 $\mu$ F
522	C3101	T5G	ECC18225K000	2.2 $\mu$ F
523	C4062	T2D	ECC18225K000	2.2 $\mu$ F
524	C4073	T2J	ECC18225K000	2.2 $\mu$ F
525	C4075	T2K	ECC18225K000	2.2 $\mu$ F
526	C4097	B3C	ECC18225K000	2.2 $\mu$ F
527	C4106	T2D	ECC18225K000	2.2 $\mu$ F
528	C5060	B6K	ECC18225K000	2.2 $\mu$ F
529	C6138	B13K	ECC18225K000	2.2 $\mu$ F
530	C7007	B9I	ECC18225K000	2.2 $\mu$ F
531	C7120	B8I	ECC18225K000	2.2 $\mu$ F
532	C7125	T9K	ECC18225K000	2.2 $\mu$ F
533	C8034	T13H	ECC18225K000	2.2 $\mu$ F
534	C5010	B5B	ECC21225K000	2.2 $\mu$ F
535	R3035	B4H	ERC02242J000	2.4 k $\Omega$
536	R8012	T13G	ERC02242J000	2.4 k $\Omega$
537	C4067	T2C	ECC1525AB000	2.5 pF
538	R1028	T6D	ERZ022741F00	2.74 k $\Omega$
539	R3104	T3G	ERZ022741F00	2.74 k $\Omega$
540	R3105	T3F	ERZ022741F00	2.74 k $\Omega$
541	R3106	T3G	ERZ022741F00	2.74 k $\Omega$
542	R3107	T3F	ERZ022741F00	2.74 k $\Omega$
543	R5054	B5B	ERZ022741F00	2.74 k $\Omega$
544	R5103	B2B	ERZ022741F00	2.74 k $\Omega$
545	R6003	B12J	ERZ022741F00	2.74 k $\Omega$
546	R6022	B13F	ERZ022741F00	2.74 k $\Omega$
547	R6049	B14K	ERZ022741F00	2.74 k $\Omega$
548	R7049	B8I	ERZ022741F00	2.74 k $\Omega$
549	C8107	T12B	ECC2227AC000	2.7 pF
550	R1044	T4C	ERC02203F000	20 k $\Omega$
551	R1053	T4D	ERC02203F000	20 k $\Omega$
552	R1057	T4C	ERC02203F000	20 k $\Omega$

No.	Ref. No.	Print No.	Part No.	Description
553	R3013	B6G	ERC02203F000	20 kΩ
554	R3018	B5G	ERC02203F000	20 kΩ
555	R5058	B5B	ERC02203F000	20 kΩ
556	R6029	B14H	ERC02203F000	20 kΩ
557	R8037	T13F	ERC02203F000	20 kΩ
558	C2046	T3J	ECC15200J000	20 pF
559	C2048	T3J	ECC15200J000	20 pF
560	C2054	B3J	ECC15200J000	20 pF
561	C2055	B3J	ECC15200J000	20 pF
562	C2091	B3J	ECC15221J000	220 pF
563	C2095	B3I	ECC15221J000	220 pF
564	C2096	T4J	ECC15221J000	220 pF
565	C2097	T4J	ECC15221J000	220 pF
566	C2098	T4H	ECC15221J000	220 pF
567	C2099	T4I	ECC15221J000	220 pF
568	C2100	T4I	ECC15221J000	220 pF
569	C2101	T4H	ECC15221J000	220 pF
570	C2104	T3H	ECC15221J000	220 pF
571	C2105	B3I	ECC15221J000	220 pF
572	C2106	T3H	ECC15221J000	220 pF
573	C2107	T3H	ECC15221J000	220 pF
574	C2108	T3H	ECC15221J000	220 pF
575	C2113	T4I	ECC15221J000	220 pF
576	C2114	T3H	ECC15221J000	220 pF
577	C2115	T3H	ECC15221J000	220 pF
578	C2116	B3I	ECC15221J000	220 pF
579	C2117	T4H	ECC15221J000	220 pF
580	C2120	B3I	ECC15221J000	220 pF
581	C2129	B3I	ECC15221J000	220 pF
582	C2130	B4I	ECC15221J000	220 pF
583	C2131	B3I	ECC15221J000	220 pF
584	C2132	B3I	ECC15221J000	220 pF
585	C2133	B3J	ECC15221J000	220 pF
586	C2134	B2J	ECC15221J000	220 pF
587	C2135	T2I	ECC15221J000	220 pF
588	C2136	B3I	ECC15221J000	220 pF
589	C2137	B3J	ECC15221J000	220 pF

No.	Ref. No.	Print No.	Part No.	Description
590	C2138	T2I	ECC15221J000	220 pF
591	C2139	B2J	ECC15221J000	220 pF
592	C2141	B3I	ECC15221J000	220 pF
593	C2142	T2H	ECC15221J000	220 pF
594	C2143	T2H	ECC15221J000	220 pF
595	C2144	T2I	ECC15221J000	220 pF
596	C2145	T2H	ECC15221J000	220 pF
597	C2146	T2H	ECC15221J000	220 pF
598	C2147	T2H	ECC15221J000	220 pF
599	C2148	T2H	ECC15221J000	220 pF
600	C2149	T3H	ECC15221J000	220 pF
601	C2150	T3J	ECC15221J000	220 pF
602	C2151	B3I	ECC15221J000	220 pF
603	C2152	B3J	ECC15221J000	220 pF
604	C2159	T4K	ECC15221J000	220 pF
605	C3001	T2F	ECC15221J000	220 pF
606	C3019	B6G	ECC15221J000	220 pF
607	C3023	T2G	ECC15221J000	220 pF
608	C3028	B5G	ECC15221J000	220 pF
609	C3054	B4G	ECC15221J000	220 pF
610	C5016	B2B	ECC15221J000	220 pF
611	C5020	T4A	ECC15221J000	220 pF
612	C5021	T3A	ECC15221J000	220 pF
613	C5022	T3A	ECC15221J000	220 pF
614	C5023	T2A	ECC15221J000	220 pF
615	C5024	T2A	ECC15221J000	220 pF
616	C5026	T5A	ECC15221J000	220 pF
617	C5027	T4B	ECC15221J000	220 pF
618	C5028	T3B	ECC15221J000	220 pF
619	C5029	T3B	ECC15221J000	220 pF
620	C5063	T3D	ECC15221J000	220 pF
621	C5067	B4K	ECC15221J000	220 pF
622	C5068	T5J	ECC15221J000	220 pF
623	C6000	B12K	ECC15221J000	220 pF
624	C6003	B13F	ECC15221J000	220 pF
625	C6004	B12J	ECC15221J000	220 pF
626	C6005	B13J	ECC15221J000	220 pF

No.	Ref. No.	Print No.	Part No.	Description
627	C6010	B13F	ECC15221J000	220 pF
628	C6014	B13F	ECC15221J000	220 pF
629	C6019	B12J	ECC15221J000	220 pF
630	C6020	B12J	ECC15221J000	220 pF
631	C6022	B12J	ECC15221J000	220 pF
632	C6030	B13F	ECC15221J000	220 pF
633	C6068	B12F	ECC15221J000	220 pF
634	C6069	B14F	ECC15221J000	220 pF
635	C6071	B13G	ECC15221J000	220 pF
636	C6072	B15G	ECC15221J000	220 pF
637	C6073	B14G	ECC15221J000	220 pF
638	C6085	B12F	ECC15221J000	220 pF
639	C6110	B15J	ECC15221J000	220 pF
640	C6154	B11K	ECC15221J000	220 pF
641	C6159	B11K	ECC15221J000	220 pF
642	C6189	T11J	ECC15221J000	220 pF
643	C6192	T12K	ECC15221J000	220 pF
644	C7003	B9I	ECC15221J000	220 pF
645	C7006	T9J	ECC15221J000	220 pF
646	C7012	T9J	ECC15221J000	220 pF
647	C7014	B9J	ECC15221J000	220 pF
648	C7020	B8K	ECC15221J000	220 pF
649	C7029	B8K	ECC15221J000	220 pF
650	C7031	T8J	ECC15221J000	220 pF
651	C7038	T8J	ECC15221J000	220 pF
652	C7044	T8J	ECC15221J000	220 pF
653	C7047	T8J	ECC15221J000	220 pF
654	C7050	T8J	ECC15221J000	220 pF
655	C7121	T9K	ECC15221J000	220 pF
656	C8000	T14F	ECC15221J000	220 pF
657	C8001	T15F	ECC15221J000	220 pF
658	C8002	T15F	ECC15221J000	220 pF
659	C8004	T14G	ECC15221J000	220 pF
660	C8005	T15F	ECC15221J000	220 pF
661	C8006	T15F	ECC15221J000	220 pF
662	C8008	T13G	ECC15221J000	220 pF
663	C8011	T14G	ECC15221J000	220 pF

No.	Ref. No.	Print No.	Part No.	Description
664	C8014	T15G	ECC15221J000	220 pF
665	C8015	T15G	ECC15221J000	220 pF
666	C8020	T14G	ECC15221J000	220 pF
667	C8021	T14G	ECC15221J000	220 pF
668	C8023	T13F	ECC15221J000	220 pF
669	C8025	T14F	ECC15221J000	220 pF
670	C8028	T14F	ECC15221J000	220 pF
671	C8031	T13F	ECC15221J000	220 pF
672	C8045	B8G	ECC15221J000	220 pF
673	C8057	B8H	ECC15221J000	220 pF
674	C8059	B8G	ECC15221J000	220 pF
675	C8087	B10H	ECC15221J000	220 pF
676	C8101	T9H	ECC15221J000	220 pF
677	C8103	T9H	ECC15221J000	220 pF
678	C8117	B12B	ECC15221J000	220 pF
679	C8119	B12B	ECC15221J000	220 pF
680	C8120	T15D	ECC15221J000	220 pF
681	C8122	T15C	ECC15221J000	220 pF
682	C8123	T15C	ECC15221J000	220 pF
683	C8124	T14F	ECC15221J000	220 pF
684	C8125	T14B	ECC15221J000	220 pF
685	C8128	B8H	ECC15221J000	220 pF
686	C8132	T14C	ECC15221J000	220 pF
687	C8133	T14C	ECC15221J000	220 pF
688	C8135	T12H	ECC15221J000	220 pF
689	C8139	B9G	ECC15221J000	220 pF
690	C8179	T14G	ECC15221J000	220 pF
691	C8188	T13G	ECC15221J000	220 pF
692	C8192	B10F	ECC15221J000	220 pF
693	C8039	B7B	ECC18221J000	220 pF
694	C8041	B10B	ECC18221J000	220 pF
695	C8046	B10G	ECC18221J000	220 pF
696	C8126	B10F	ECC18221J000	220 pF
697	C8127	B9F	ECC18221J000	220 pF
698	C1008	T5F	ECZ00227K000	220 $\mu$ F
699	R1004	T7F	ERC02223F000	22 k $\Omega$
700	R3022	B5G	ERC02223F000	22 k $\Omega$

No.	Ref. No.	Print No.	Part No.	Description
701	R3023	B5G	ERC02223F000	22 kΩ
702	R8035	T13F	ERC02223F000	22 kΩ
703	L8014	T10C	ELH00220Z000	22 nH
704	L7026	B10K	ELW18220J000	22 nH
705	C6013	B13J	ECC15220J000	22 pF
706	C6015	B12I	ECC15220J000	22 pF
707	C7068	T8J	ECC15220J000	22 pF
708	C6195	B10J	ECC18220J000	22 pF
709	C8053	T8F	ECC18220J000	22 pF
710	C8079	T11H	ECC18220J000	22 pF
711	C8084	T10F	ECC18220J000	22 pF
712	C1013	T4E	ECT31226K000	22 μF
713	C1018	T6G	ECT31226K000	22 μF
714	C1020	T6F	ECT31226K000	22 μF
715	C1023	T7H	ECC31226M000	22 μF
716	C1025	T7H	ECC31226M000	22 μF
717	C1001	T6E	ECC32226K000	22 μF
718	C1002	T6E	ECC32226K000	22 μF
719	C1030	T12F	ECC32226K000	22 μF
720	C1031	T12G	ECC32226K000	22 μF
721	C1041	T6C	ECC32226K000	22 μF
722	C1043	B6D	ECC32226K000	22 μF
723	C1100	T5B	ECC32226K000	22 μF
724	C3000	T3E	ECC32226K000	22 μF
725	C3005	T2E	ECC32226K000	22 μF
726	C3011	B5G	ECC32226K000	22 μF
727	C3032	B5G	ECC32226K000	22 μF
728	C3036	B4G	ECC32226K000	22 μF
729	C3038	B4F	ECC32226K000	22 μF
730	C6164	T12I	ECC15471J000	470 pF
731	C6172	T11J	ECC15471J000	470 pF
732	C6175	T12J	ECC15471J000	470 pF
733	C6177	B10K	ECC15471J000	470 pF
734	C6179	T11J	ECC15471J000	470 pF
735	C6184	B10J	ECC15471J000	470 pF
736	C6186	T12K	ECC15471J000	470 pF
737	C6219	B11K	ECC15471J000	470 pF

No.	Ref. No.	Print No.	Part No.	Description
738	C6220	B11K	ECC15471J000	470 pF
739	C7039	B9K	ECC15471J000	470 pF
740	C7122	T9J	ECC15471J000	470 pF
741	C7123	T9J	ECC15471J000	470 pF
742	C8049	B8G	ECC15471J000	470 pF
743	C8070	T8H	ECC15471J000	470 pF
744	C8090	T8H	ECC15471J000	470 pF
745	C8091	T8H	ECC15471J000	470 pF
746	C8190	B8A	ECC15471J000	470 pF
747	C8052	T10D	ECC22471J000	470 pF
748	C8066	T11A	ECC22471J000	470 pF
749	C8095	T12B	ECC22471J000	470 pF
750	C8100	B13A	ECC22471J000	470 pF
751	C8115	T11A	ECC22471J000	470 pF
752	R1013	T12F	ERC02473F000	47 kΩ
753	R1033	T5D	ERC02473F000	47 kΩ
754	R1047	T5B	ERC02473F000	47 kΩ
755	R2021	T6K	ERC02473F000	47 kΩ
756	R2022	T6K	ERC02473F000	47 kΩ
757	R2026	T2I	ERC02473F000	47 kΩ
758	R2027	T2I	ERC02473F000	47 kΩ
759	R2028	T2I	ERC02473F000	47 kΩ
760	R2029	T2I	ERC02473F000	47 kΩ
761	R2030	T2I	ERC02473F000	47 kΩ
762	R2031	T2H	ERC02473F000	47 kΩ
763	R2032	T2I	ERC02473F000	47 kΩ
764	R2033	B5I	ERC02473F000	47 kΩ
765	R2034	B4I	ERC02473F000	47 kΩ
766	R2035	B5I	ERC02473F000	47 kΩ
767	R2036	T4J	ERC02473F000	47 kΩ
768	R2081	T3J	ERC02473F000	47 kΩ
769	R3000	B6G	ERC02473F000	47 kΩ
770	R3004	T2F	ERC02473F000	47 kΩ
771	R3005	B6G	ERC02473F000	47 kΩ
772	R3012	T2G	ERC02473F000	47 kΩ
773	R3031	B5I	ERC02473F000	47 kΩ
774	R3053	B3G	ERC02473F000	47 kΩ

No.	Ref. No.	Print No.	Part No.	Description
775	R3115	T2H	ERC02473F000	47 kΩ
776	R4034	T1D	ERC02473F000	47 kΩ
777	R5085	T3B	ERC02473F000	47 kΩ
778	R5087	T3B	ERC02473F000	47 kΩ
779	R6044	B14J	ERC02473F000	47 kΩ
780	R8039	B8G	ERC02473F000	47 kΩ
781	R8089	T13H	ERC02473F000	47 kΩ
782	R8138	T13G	ERC02473F000	47 kΩ
783	RT8001	B11F	ERH03473J000	47 kΩ
784	L8015	T10H	ELH00471Z000	47 nH
785	L6002	B14F	ELW18470J000	47 nH
786	C2082	T4H	ECC15470J000	47 pF
787	C2083	T4I	ECC15470J000	47 pF
788	C2094	T4H	ECC15470J000	47 pF
789	C2102	T4H	ECC15470J000	47 pF
790	C2103	T4H	ECC15470J000	47 pF
791	C4059	T2D	ECC15470J000	47 pF
792	C4061	T2D	ECC15470J000	47 pF
793	C6074	B12H	ECC15470J000	47 pF
794	C6198	B10J	ECC15470J000	47 pF
795	C8109	T13B	ECC15470J000	47 pF
796	C6124	T14I	ECC18470J000	47 pF
797	C8062	T11C	ECC18470J000	47 pF
798	R8124	B7B	ERC02499AF00	49.9 Ω
799	R8125	B8B	ERC02499AF00	49.9 Ω
800	R4043	B4C	ERC05499AF00	49.9 Ω
801	R4044	B4C	ERC05499AF00	49.9 Ω
802	R4045	B4C	ERC05499AF00	49.9 Ω
803	R4046	B4C	ERC05499AF00	49.9 Ω
804	T6000	B12H	ELTBMHDKN000	Transformer
805	T6001	B12G	ELTBMHDKN000	Transformer
806	C6054	B12F	ECC1540AB000	4 pF
807	C6055	B12F	ECC1540AB000	4 pF
808	C6070	B12G	ECC1540AB000	4 pF
809	R6025	B14H	ERC02512J000	5.1 kΩ
810	C4082	T2K	ELW1551AJ000	5.1 nH
811	L6013	B13G	ELW1851AJ001	5.1 nH



No.	Ref. No.	Print No.	Part No.	Description
812	L8031	T15B	ELW1851AJ001	5.1 nH
813	R6015	B13G	ERC02562J000	5.6 kΩ
814	R7037	T11K	ERC02562J000	5.6 kΩ
815	R7040	T9K	ERC02562J000	5.6 kΩ
816	R8000	T15F	ERC02562J000	5.6 kΩ
817	R8001	T14F	ERC02562J000	5.6 kΩ
818	R8013	T15G	ERC02562J000	5.6 kΩ
819	R8143	T8H	ERC02562J000	5.6 kΩ
820	C6046	B14G	ECC1556AB000	5.6 pF
821	C6048	B14F	ECC1556AB000	5.6 pF
822	C8097	T12C	ECC2256AC000	5.6 pF
823	L8022	T8H	ECC1856AB000	5.6 pF
824	C6107	B14I	ECC18562K000	5600 pF
825	R6035	B14H	ERC02563F000	56 kΩ
826	R8033	T13F	ERC02563F000	56 kΩ
827	R1000	T6C	ERC02563F000	56 kΩ
828	C7027	B9J	ECC15560J000	56 pF
829	C8042	B10C	ECC18560J000	56 pF
830	C6025	B12J	ECC1550AB000	5 pF
831	C6027	B12I	ECC1550AB000	5 pF
832	C6126	T14I	ECC1850AB000	5 pF
833	C6187	B10J	ECC1850AB000	5 pF
834	C6190	B10J	ECC1850AB000	5 pF
835	C6196	B10J	ECC1850AB000	5 pF
836	C7015	B9J	ECC1850AB000	5 pF
837	R8081	B9H	ERC02622J000	6.2 kΩ
838	R8021	T14G	ERC026811F00	6.81 kΩ
839	R8031	T14F	ERC026811F00	6.81 kΩ
840	R8061	B10H	ERC026811F00	6.81 kΩ
841	R6043	T14H	ERC026811F00	6.81 kΩ
842	R7028	T8J	ERC026811F00	6.81 kΩ
843	R8132	B10G	ERC026811F00	6.81 kΩ
844	L7033	B9K	ELL1868AD000	6.8 nH
845	L7034	B9K	ELL1868AD000	6.8 nH
846	C6044	B14F	ECC1568AB000	6.8 pF
847	C6045	B12G	ECC1568AB000	6.8 pF
848	C6047	B12F	ECC1568AB000	6.8 pF

No.	Ref. No.	Print No.	Part No.	Description
849	C6062	B12F	ECC1568AB000	6.8 pF
850	C6064	B14H	ECC1568AB000	6.8 pF
851	C6076	B12G	ECC1568AB000	6.8 pF
852	C8116	T9H	ECC1568AB000	6.8 pF
853	C8061	T9C	ECC2268AC000	6.8 pF
854	C8078	T10C	ECC2268AC000	6.8 pF
855	L6033	T14I	ELW18682K000	6.8 $\mu$ H
856	R8014	T13G	ERC02683F000	68 k $\Omega$
857	R8130	B10F	ERC02683F000	68 k $\Omega$
858	R1002	T7F	ERC02683F000	68 k $\Omega$
859	R4012	B6I	ERC02683F000	68 k $\Omega$
860	C3033	B5G	ECC15680J000	68 pF
861	C4064	T2B	ECC15680J000	68 pF
862	C6050	B14G	ECC1560AB000	6 pF
863	C6057	B12G	ECC1560AB000	6 pF
864	C6037	B14F	ECC1575AB000	7.5 pF
865	C6040	B14F	ECC1575AB000	7.5 pF
866	C7064	T8K	ECC1575AB000	7.5 pF
867	C7092	B9K	ECC1575AB000	7.5 pF
868	C7093	B9K	ECC1575AB000	7.5 pF
869	C6203	B10J	ECC1575AB000	7.5 pF
870	U6001	B14H	EGCS73354000	73.35 MHz
871	C6144	B14K	ECC1870AB000	7 pF
872	L7004	B9J	ELH0080AZ000	8 nH
873	R2023	T7I	ERC02822J000	8.2 k $\Omega$
874	R5002	B2C	ERC02822J000	8.2 k $\Omega$
875	R5019	B5D	ERC02822J000	8.2 k $\Omega$
876	R5043	B4D	ERC02822J000	8.2 k $\Omega$
877	R5047	B4F	ERC02822J000	8.2 k $\Omega$
878	R5049	B6E	ERC02822J000	8.2 k $\Omega$
879	R5050	B6E	ERC02822J000	8.2 k $\Omega$
880	R5052	B4J	ERC02822J000	8.2 k $\Omega$
881	D6015	B10I	EDVS05020000	Varactor diode
882	D6017	B10I	EDVS05020000	Varactor diode
883	D7002	B9I	EDVS05020000	Varactor diode
884	D7005	B9I	EDVS05020000	Varactor diode
885	Q6001	B12J	ETNS04030000	NPN transistor

No.	Ref. No.	Print No.	Part No.	Description
886	Q6002	B13G	ETNS04030000	NPN transistor
887	L3001	B6H	ELF15601Y000	Bead
888	L3003	B5H	ELF15601Y000	Bead
889	L3004	B6I	ELF15601Y000	Bead
890	L3006	B5I	ELF15601Y000	Bead
891	L3008	B4H	ELF15601Y000	Bead
892	L3011	T4G	ELF15601Y000	Bead
893	L3012	T3G	ELF15601Y000	Bead
894	L3013	T3G	ELF15601Y000	Bead
895	L3014	T3G	ELF15601Y000	Bead
896	L2005	T6J	ELF15121Y000	Bead
897	L4000	B6J	ELF15121Y000	Bead
898	L4002	B6I	ELF15121Y000	Bead
899	L4005	T2C	ELF15121Y000	Bead
900	L5001	T3D	ELF15121Y000	Bead
901	L6035	B13J	ELF15121Y000	Bead
902	L6041	B11K	ELF15121Y000	Bead
903	L6044	T12I	ELF15121Y000	Bead
904	L6046	T11J	ELF15121Y000	Bead
905	L6050	T12J	ELF15121Y000	Bead
906	L6051	T11J	ELF15121Y000	Bead
907	L6052	B10I	ELF15121Y000	Bead
908	L7000	T9J	ELF15121Y000	Bead
909	L7005	B8J	ELF15121Y000	Bead
910	L7006	B8K	ELF15121Y000	Bead
911	L7009	T8J	ELF15121Y000	Bead
912	L7010	T8J	ELF15121Y000	Bead
913	L7015	B10I	ELF15121Y000	Bead
914	L7027	T11K	ELF15121Y000	Bead
915	L7030	T11K	ELF15121Y000	Bead
916	L7031	T9J	ELF15121Y000	Bead
917	L7035	T9K	ELF15121Y000	Bead
918	L7036	T9J	ELF15121Y000	Bead
919	L7037	T10K	ELF15121Y000	Bead
920	L7038	T9K	ELF15121Y000	Bead
921	L8002	T13G	ELF15121Y000	Bead
922	L8003	T13F	ELF15121Y000	Bead

No.	Ref. No.	Print No.	Part No.	Description
923	L8004	T13G	ELF15121Y000	Bead
924	L8006	T12H	ELF15121Y000	Bead
925	L3000	T3E	ELF18601Y000	Bead
926	L3002	B5H	ELF18601Y000	Bead
927	L3005	B5F	ELF18601Y000	Bead
928	L3007	B4F	ELF18601Y000	Bead
929	L3009	B4G	ELF18601Y000	Bead
930	L3010	B3F	ELF18601Y000	Bead
931	L3015	T2F	ELF18601Y000	Bead
932	L3017	T2G	ELF18601Y000	Bead
933	L6000	B13K	ELF18601Y000	Bead
934	L6001	B13F	ELF18601Y000	Bead
935	L6022	B14H	ELF18601Y000	Bead
936	L6028	B14I	ELF18601Y000	Bead
937	L6029	B15J	ELF18601Y000	Bead
938	L6032	T15I	ELF18601Y000	Bead
939	L6038	B13K	ELF18601Y000	Bead
940	L8009	B9G	ELF18601Y000	Bead
941	L8010	B8G	ELF18601Y000	Bead
942	L8019	B9H	ELF18601Y000	Bead
943	L8028	T9H	ELF18601Y000	Bead
944	L8033	B12B	ELF18601Y000	Bead
945	L8034	T15C	ELF18601Y000	Bead
946	L8036	B9H	ELF18601Y000	Bead
947	L8037	T14C	ELF18601Y000	Bead
948	L8038	B9G	ELF18601Y000	Bead
949	L8039	B8G	ELF18601Y000	Bead
950	L1005	T6H	ELF18181Y000	Bead
951	L1006	T6H	ELF18181Y000	Bead
952	L1007	T5H	ELF18181Y000	Bead
953	L1008	T11H	ELF18181Y000	Bead
954	L1011	T12G	ELF18181Y000	Bead
955	L1012	T6G	ELF18181Y000	Bead
956	L1013	T5H	ELF18181Y000	Bead
957	L1014	T12G	ELF18181Y000	Bead
958	L1015	T12H	ELF18181Y000	Bead
959	L1016	T6F	ELF18181Y000	Bead

No.	Ref. No.	Print No.	Part No.	Description
960	L1017	T5G	ELF18181Y000	Bead
961	L1018	T3E	ELF18181Y000	Bead
962	L1019	T4F	ELF18181Y000	Bead
963	L1020	T1J	ELF18181Y000	Bead
964	L1021	T2J	ELF18181Y000	Bead
965	L1023	T3F	ELF18181Y000	Bead
966	L1025	T2D	ELF18181Y000	Bead
967	L1027	T12H	ELF18181Y000	Bead
968	L1028	T12H	ELF18181Y000	Bead
969	L1029	T12I	ELF18181Y000	Bead
970	L1030	T12H	ELF18181Y000	Bead
971	L8013	B10G	ELF18181Y000	Bead
972	L1002	T5F	ELF18121Y000	Bead
973	L1009	T6D	ELF41600Y000	Bead
974	L1010	T6C	ELF41600Y000	Bead
975	L3016	T1E	ELF41600Y000	Bead
976	L3018	T2F	ELF41600Y000	Bead
977	L3019	T2H	ELF41600Y000	Bead
978	L3020	T2G	ELF41600Y000	Bead
979	L3021	B3E	ELF41600Y000	Bead
980	L8007	B7C	ELF41600Y000	Bead
981	L8008	B7B	ELF41600Y000	Bead
982	L8011	B10C	ELF41600Y000	Bead
983	L8012	B10C	ELF41600Y000	Bead
984	U3006	T3H	ESJ014000000	Noise reduction IC
985	D8008	B8H	EDWS05040000	Zener diode
986	L1001	T5E	ELC00153N000	15 $\mu$ H
987	L1004	T6H	ELC00622N000	6.2 $\mu$ H
988	L1000	T6E	ELC00103N000	10 $\mu$ H
989	U5004	B4K	EGKS00000000	EMI filter
990	U5005	B4K	EGKS00000000	EMI filter
991	D5011	B3B	EDES13010000	ESD protection diode
992	D5012	T4A	EDES13010000	ESD protection diode
993	D5016	T5J	EDES13010000	ESD protection diode
994	D5017	B6K	EDES13010000	ESD protection diode
995	D5018	B7K	EDES13010000	ESD protection diode
996	D1002	T5F	EDES13010001	ESD protection diode

No.	Ref. No.	Print No.	Part No.	Description
997	D2002	T3K	EDES13010001	ESD protection diode
998	D5008	T3B	EDES13010001	ESD protection diode
999	D5014	B7K	EDES13010001	ESD protection diode
1000	D5020	T6J	EDES13010001	ESD protection diode
1001	U2005	T5I	SMESM003000001	Memory
1002	U8011	T13G	ESE010000001	Operational amplifier
1003	U1004	T12G	ESH010000002	Power management IC
1004	U1005	T12G	ESH010000002	Power management IC
1005	U1008	T4F	ESH010000000	Power management IC
1006	U3001	B5G	ESE002000001	Operational amplifier
1007	U3004	B4G	ESE002000001	Operational amplifier
1008	U1007	T5C	ESE010000000	Operational amplifier
1009	U3002	T2G	ESE010000000	Operational amplifier
1010	U2007	T5K	ESP014000000	Switch IC
1011	U3005	B4I	ESP014000001	Three-way analog switch IC
1012	U2001	T4K	ESP025000000	Two-way USB analog switch IC
1013	U2000	T3I	ESN002000005	Baseband processor IC
1014	Q6003	B15H	ETNS04010000	NPN transistor
1015	Q6004	B15H	ETNS04010000	NPN transistor
1016	Q6013	T12J	ETNS04010000	NPN transistor
1017	Q6014	T12K	ETNS04010000	NPN transistor
1018	Q7006	T8J	ETNS04010000	NPN transistor
1019	D5019	B4K	EDES06010002	ESD protection diode
1020	D2010	B5K	EDES06010003	ESD protection diode
1021	D5001	T1B	ESJ025000000	USB protection IC
1022	D5013	T6K	ESJ025000000	USB protection IC
1023	Q1004	T7C	ETNS04040000	NPN transistor
1024	D1005	T4C	EDXS03030000	Schottky barrier diode
1025	D2000	B2I	EDXS03030000	Schottky barrier diode
1026	D2003	B2I	EDXS03030000	Schottky barrier diode
1027	D2004	B2I	EDXS03030000	Schottky barrier diode
1028	D5015	B6B	EDXS03030000	Schottky barrier diode
1029	Q8006	T9H	EFAS02010000	PA MOSFET
1030	Q8005	T10H	EFAS02010001	PA MOSFET
1031	U1003	T6H	ESH016000004	Power management IC
1032	U1002	T5H	ESH016000003	Power management IC
1033	U1009	T1J	ESH016000000	Power management IC

No.	Ref. No.	Print No.	Part No.	Description
1034	U1006	T6G	ESH016000002	Power management IC
1035	U1010	T4F	ESH016000002	Power management IC
1036	U1011	T2D	ESH016000002	Power management IC
1037	U1012	T12H	ESH016000002	Power management IC
1038	U1013	T12H	ESH016000002	Power management IC
1039	U2008	B2H	ESH016000002	Power management IC
1040	Q5015	B5B	EFPS03020000	P-MOSFET
1041	U8003	B8B	ESE028000000	Current sense amplifier
1042	U7000	T10K	ESD017000000	PLL IC
1043	D6002	B12H	ESZ017000000	Mixer IC
1044	U2006	T4J	ESR002000000	Logic IC
1045	U5000	B3D	ESR002000001	Logic IC
1046	U5001	B3H	ESR002000001	Logic IC
1047	U5002	B5I	ESR002000001	Logic IC
1048	U3003	B5H	ESN002000001	Baseband processor IC
1049	U4000	B7I	ESF002000000	D/A converter IC
1050	U2003	B2J	ESQ002000001	Reset IC
1051	U1000	T6E	ESH002000000	Power management IC
1052	U1001	T6G	ESH002000001	Power management IC
1053	U3010	T3G	ESP002000000	Analog switch IC
1054	U3000	T2G	ESP002000001	Switch IC
1055	U3008	T2H	ESP002000001	Switch IC
1056	D1008	T4B	EDWS03070001	Zener diode
1057	D1004	T5C	EDWS03070000	Zener diode
1058	D2001	B2H	EDWS03070000	Zener diode
1059	Q6000	B13F	ETCS03080001	Compound transistor
1060	U501	T8J	ESY013000000	Buffer amplifier IC
1061	U2002	B2I	ESH018000000	Power management IC
1062	U4008	T2K	EGGS02447000	SAW filter
1063	U4009	T2K	ESB008000000	Bluetooth module
1064	X4001	T3K	EYBS02605002	Crystal resonator
1065	J1000	/	EJZS00600000	Power socket
1066	C1000	/	ECE00477M002	470 $\mu$ F
1067	J5000	/	EJZS02600000	D_SUB connector
1068	U3009	/	ESV024000000	Audio amplifier IC
1069	J4000	/	EMC001000000	RF connector
1070	J4001	/	EMC001000000	RF connector

No.	Ref. No.	Print No.	Part No.	Description
1071	J5002	/	EJHS02020000	FPC connector
1072	J5001	/	EJBS02000002	Board-to-board connector
1073	J5003	/	EJMS00800000	MicroSD card connector
1074	S1000	/	MB0005000020	Heat sink
1075	W8000	/	EMH001000000	TNC antenna connector
1076	A1	/	MM0059000200	Shielding can A
1077	A2	/	MM0059000200	Shielding can A
1078	E2	/	MM0063000200	Shielding can E
1079	F1	/	MM0064000200	Shielding can F
1080	G1	/	MM0065000200	Shielding can G
1081	H1	/	MM0066000200	Shielding can H
1082	I1	/	MM0015000100	Shielding can C
1083	J1	/	MM0019000100	Shielding can F
1084	/	/	EPPH0020800F	PCB

Table 7-1 Parts List of RDR9000 TX Board



**R9000 RX Board**

No.	Ref. No.	Print No.	Part No.	Description
1	R4011	B7J	ERC02000J000	0 Ω
2	R5094	B5I	ERC02330J000	33 Ω
3	R5101	T3B	ERC02330J000	33 Ω
4	R5102	T3B	ERC02330J000	33 Ω
5	R5104	T4B	ERC02330J000	33 Ω
6	R5105	T4B	ERC02330J000	33 Ω
7	R5106	T4B	ERC02330J000	33 Ω
8	R5111	T3B	ERC02330J000	33 Ω
9	R5112	T4B	ERC02330J000	33 Ω
10	R5113	T5A	ERC02330J000	33 Ω
11	R5115	T2A	ERC02330J000	33 Ω
12	R5116	T2A	ERC02330J000	33 Ω
13	R5117	T3A	ERC02330J000	33 Ω
14	R5118	T3A	ERC02330J000	33 Ω
15	R5119	T4A	ERC02330J000	33 Ω
16	R5120	T4A	ERC02330J000	33 Ω
17	R5132	T5K	ERC02330J000	33 Ω
18	R5133	T6J	ERC02330J000	33 Ω
19	R5136	B6K	ERC02330J000	33 Ω
20	R5137	T5J	ERC02330J000	33 Ω
21	R5138	B5K	ERC02330J000	33 Ω
22	R5139	B5K	ERC02330J000	33 Ω
23	R5140	B5K	ERC02330J000	33 Ω
24	R5141	B4K	ERC02330J000	33 Ω
25	R5142	B6K	ERC02330J000	33 Ω
26	R5144	B2B	ERC02330J000	33 Ω
27	R5145	B5K	ERC02330J000	33 Ω
28	R5149	T3A	ERC02330J000	33 Ω
29	R5151	B5D	ERC02330J000	33 Ω
30	R8006	T14G	ERC02390J000	39 Ω
31	R8007	T15F	ERC02390J000	39 Ω
32	C6214	B11J	ERC02510F000	51Ω
33	R2025	T2I	ERC02510F000	51 Ω
34	R6027	B15H	ERC02510F000	51 Ω
35	R6037	B15J	ERC02510F000	51 Ω

No.	Ref. No.	Print No.	Part No.	Description
36	R8005	T14G	ERC02510F000	51 Ω
37	R8059	T10H	ERC02510F000	51 Ω
38	R6000	B12K	ERC03680J000	68 Ω
39	R6001	B12K	ERC03680J000	68 Ω
40	R6078	B10J	ERC02820J000	82 Ω
41	R7008	B9J	ERC02820J000	82 Ω
42	R7041	T9K	ERC02820J000	82 Ω
43	L4004	T2D	ERC02101J000	100 Ω
44	R1005	T5I	ERC02101J000	100 Ω
45	R1042	T4C	ERC02101J000	100 Ω
46	R2064	T4J	ERC02101J000	100 Ω
47	R2065	T4J	ERC02101J000	100 Ω
48	R2066	B4J	ERC02101J000	100 Ω
49	R2067	T4J	ERC02101J000	100 Ω
50	R2071	B3J	ERC02101J000	100 Ω
51	R2073	T4J	ERC02101J000	100 Ω
52	R2080	T3K	ERC02101J000	100 Ω
53	R2084	T2J	ERC02101J000	100 Ω
54	R2085	T2J	ERC02101J000	100 Ω
55	R2086	T3J	ERC02101J000	100 Ω
56	R2089	B1H	ERC02101J000	100 Ω
57	R2092	T2J	ERC02101J000	100 Ω
58	R2105	T7I	ERC02101J000	100 Ω
59	R3002	B5G	ERC02101J000	100 Ω
60	R3019	B4F	ERC02101J000	100 Ω
61	R3029	B3F	ERC02101J000	100 Ω
62	R3051	B3F	ERC02101J000	100 Ω
63	R3090	T4H	ERC02101J000	100 Ω
64	R3091	T4H	ERC02101J000	100 Ω
65	R3092	T2E	ERC02101J000	100 Ω
66	R3096	T2G	ERC02101J000	100 Ω
67	R4005	B6J	ERC02101J000	100 Ω
68	R5123	T5C	ERC02101J000	100 Ω
69	R5131	T5J	ERC02101J000	100 Ω
70	R6020	B12H	ERC02101J000	100 Ω
71	R6060	B10K	ERC02101J000	100 Ω
72	R6069	B12H	ERC02101J000	100 Ω

No.	Ref. No.	Print No.	Part No.	Description
73	R6084	B11K	ERC02101J000	100 Ω
74	R7006	B9K	ERC02101J000	100 Ω
75	R7017	B8K	ERC02101J000	100 Ω
76	R8009	T14G	ERC02101J000	100 Ω
77	R8080	T8H	ERC02101J000	100 Ω
78	R6005	B13F	ERC03101J000	100 Ω
79	R8040	T9F	ERC06101J000	100 Ω
80	R8045	T9F	ERC06101J000	100 Ω
81	R8055	T10F	ERC06101J000	100 Ω
82	R8060	T10F	ERC06101J000	100 Ω
83	R8075	T15D	ERC03121J000	120 Ω
84	R8004	T14F	ERC02151J000	150 Ω
85	R8076	T15D	ERC03151J000	150 Ω
86	R8082	B9F	ERC06151J000	150 Ω
87	R8083	B9F	ERC06151J000	150 Ω
88	R1030	T7D	ERC20151J000	150 Ω
89	R8057	T8H	ERC02181J000	180 Ω
90	R8058	T8H	ERC02181J000	180 Ω
91	R8077	T15B	ERC03181J000	180 Ω
92	R8078	T15B	ERC03181J000	180 Ω
93	R3042	B2H	ERC02301J000	300 Ω
94	R6040	T15H	ERC02301J000	300 Ω
95	R6072	B11K	ERC02301J000	300 Ω
96	R6073	B11K	ERC02301J000	300 Ω
97	R5009	B2C	ERC02331J000	300 Ω
98	R5024	B4D	ERC02331J000	300 Ω
99	R5046	B4D	ERC02331J000	300 Ω
100	R5071	B4D	ERC02331J000	300 Ω
101	R5086	B4E	ERC02331J000	300 Ω
102	R6014	B12J	ERC02331J000	300 Ω
103	R6024	B15H	ERC02331J000	300 Ω
104	R8034	T14F	ERC02331J000	300 Ω
105	R8019	T14G	ERC03331F000	300 Ω
106	R8050	T11H	ERC03331F000	300 Ω
107	R8063	T14D	ERC03331F000	300 Ω
108	R8064	T14D	ERC03331F000	300 Ω
109	R8071	T9H	ERC03331F000	300 Ω

No.	Ref. No.	Print No.	Part No.	Description
110	R8072	T15B	ERC03331F000	300 Ω
111	R8042	B8H	ERC06331J000	300 Ω
112	R8043	B8H	ERC06331J000	300 Ω
113	R8067	B13B	ERC06331J000	300 Ω
114	R8068	B13B	ERC06331J000	300 Ω
115	R8069	B13B	ERC06331J000	300 Ω
116	R1020	T6C	ERC12331J000	300 Ω
117	R6046	T15I	ERC02391J000	390 Ω
118	R6009	B13F	ERC02511J000	510 Ω
119	R6057	T12J	ERC02511J000	510 Ω
120	R6058	T12J	ERC02511J000	510 Ω
121	R6062	T11J	ERC02511J000	510 Ω
122	R6063	T11J	ERC02511J000	510 Ω
123	R3109	B2H	ERC02561J000	560 Ω
124	R1019	B7C	ERC02681J000	680 Ω
125	R6002	B13F	ERC03681J000	680 Ω
126	R6051	B14K	ERC02821J000	820 Ω
127	RN6000	B14J	ERP02000J000	0 Ω*4
128	C1009	T5E	ECC15103K001	0.01 μF
129	C1028	T6H	ECC15103K001	0.01 μF
130	C1057	T6D	ECC15103K001	0.01 μF
131	C2013	B3I	ECC15103K001	0.01 μF
132	C2017	B3I	ECC15103K001	0.01 μF
133	C2043	B1J	ECC15103K001	0.01 μF
134	C2051	B3J	ECC15103K001	0.01 μF
135	C2053	B3J	ECC15103K001	0.01 μF
136	C2059	T1I	ECC15103K001	0.01 μF
137	C2068	T5J	ECC15103K001	0.01 μF
138	C3007	T3E	ECC15103K001	0.01 μF
139	C3009	B6G	ECC15103K001	0.01 μF
140	C3021	B5H	ECC15103K001	0.01 μF
141	C3024	B5I	ECC15103K001	0.01 μF
142	C3035	B5I	ECC15103K001	0.01 μF
143	C3074	B4H	ECC15103K001	0.01 μF
144	C3076	T3H	ECC15103K001	0.01 μF
145	C3093	T3H	ECC15103K001	0.01 μF
146	C4010	B7J	ECC15103K001	0.01 μF

No.	Ref. No.	Print No.	Part No.	Description
147	C4013	B7J	ECC15103K001	0.01 $\mu$ F
148	C6078	B14H	ECC15103K001	0.01 $\mu$ F
149	C6083	B15H	ECC15103K001	0.01 $\mu$ F
150	C6087	B15H	ECC15103K001	0.01 $\mu$ F
151	C6088	B15H	ECC15103K001	0.01 $\mu$ F
152	C6098	B14I	ECC15103K001	0.01 $\mu$ F
153	C6102	B14I	ECC15103K001	0.01 $\mu$ F
154	C6104	B14I	ECC15103K001	0.01 $\mu$ F
155	C6108	B14I	ECC15103K001	0.01 $\mu$ F
156	C6113	B14J	ECC15103K001	0.01 $\mu$ F
157	C6130	B15J	ECC15103K001	0.01 $\mu$ F
158	C6139	B14K	ECC15103K001	0.01 $\mu$ F
159	C7108	T10K	ECC15103K001	0.01 $\mu$ F
160	C8024	T14G	ECC15103K001	0.01 $\mu$ F
161	C8030	T13F	ECC15103K001	0.01 $\mu$ F
162	C8130	T9H	ECC15103K001	0.01 $\mu$ F
163	C8178	T13G	ECC15103K001	0.01 $\mu$ F
164	C1003	T6F	ECC18103K000	0.01 $\mu$ F
165	C6142	B14K	ECC18103K000	0.01 $\mu$ F
166	C6059	B12G	ECC15223K000	0.022 $\mu$ F
167	C6063	B15F	ECC15223K000	0.022 $\mu$ F
168	C6109	B14J	ECC18223K000	0.022 $\mu$ F
169	C8038	B7B	ECC18223K000	0.022 $\mu$ F
170	C6183	B10J	ECC15473K000	0.047 $\mu$ F
171	C7013	B9J	ECC15473K000	0.047 $\mu$ F
172	C8129	T8H	ECC15473K000	0.047 $\mu$ F
173	C1011	T5F	ECC15104K000	0.1 $\mu$ F
174	C1012	T5E	ECC15104K000	0.1 $\mu$ F
175	C1017	T6I	ECC15104K000	0.1 $\mu$ F
176	C1021	T6G	ECC15104K000	0.1 $\mu$ F
177	C1026	T6H	ECC15104K000	0.1 $\mu$ F
178	C1027	T6G	ECC15104K000	0.1 $\mu$ F
179	C1029	T13C	ECC15104K000	0.1 $\mu$ F
180	C1032	T6H	ECC15104K000	0.1 $\mu$ F
181	C1033	T12F	ECC15104K000	0.1 $\mu$ F
182	C1035	T6H	ECC15104K000	0.1 $\mu$ F
183	C1038	T5H	ECC15104K000	0.1 $\mu$ F

No.	Ref. No.	Print No.	Part No.	Description
184	C1042	B6C	ECC15104K000	0.1 uF
185	C1047	T12H	ECC15104K000	0.1 μF
186	C1048	T5G	ECC15104K000	0.1 μF
187	C1049	T5G	ECC15104K000	0.1 μF
188	C1051	T12H	ECC15104K000	0.1 μF
189	C1053	T11G	ECC15104K000	0.1 μF
190	C1056	T6H	ECC15104K000	0.1 μF
191	C1058	T12G	ECC15104K000	0.1 μF
192	C1060	T12G	ECC15104K000	0.1 μF
193	C1061	T6F	ECC15104K000	0.1 μF
194	C1065	T12H	ECC15104K000	0.1 μF
195	C1068	T6G	ECC15104K000	0.1 μF
196	C1069	T6F	ECC15104K000	0.1 μF
197	C1074	T4E	ECC15104K000	0.1 μF
198	C1075	T3F	ECC15104K000	0.1 μF
199	C1076	T1J	ECC15104K000	0.1 μF
200	C1077	T1J	ECC15104K000	0.1 μF
201	C1080	T4F	ECC15104K000	0.1 μF
202	C1083	T2J	ECC15104K000	0.1 μF
203	C1086	T4F	ECC15104K000	0.1 μF
204	C1091	T2D	ECC15104K000	0.1 μF
205	C1095	T3F	ECC15104K000	0.1 μF
206	C1096	T3D	ECC15104K000	0.1 μF
207	C1097	T3D	ECC15104K000	0.1 μF
208	C1099	T5C	ECC15104K000	0.1 μF
209	C1101	T12H	ECC15104K000	0.1 μF
210	C1102	T12H	ECC15104K000	0.1 μF
211	C1104	T5C	ECC15104K000	0.1 μF
212	C1107	T12H	ECC15104K000	0.1 μF
213	C1109	T12H	ECC15104K000	0.1 μF
214	C1111	T12I	ECC15104K000	0.1 μF
215	C1114	T12H	ECC15104K000	0.1 μF
216	C2000	B3I	ECC15104K000	0.1 μF
217	C2004	B3I	ECC15104K000	0.1 μF
218	C2008	B3I	ECC15104K000	0.1 μF
219	C2012	B3I	ECC15104K000	0.1 μF
220	C2016	B3I	ECC15104K000	0.1 μF

No.	Ref. No.	Print No.	Part No.	Description
221	C2020	B3I	ECC15104K000	0.1 μF
222	C2024	B3I	ECC15104K000	0.1 μF
223	C2028	B3I	ECC15104K000	0.1 μF
224	C2044	B2J	ECC15104K000	0.1 μF
225	C2049	B3I	ECC15104K000	0.1 μF
226	C2050	B3J	ECC15104K000	0.1 μF
227	C2052	B3I	ECC15104K000	0.1 μF
228	C2056	T6J	ECC15104K000	0.1 μF
229	C2058	T1I	ECC15104K000	0.1 μF
230	C2067	T5J	ECC15104K000	0.1 μF
231	C2073	T4J	ECC15104K000	0.1 μF
232	C2112	T5K	ECC15104K000	0.1 μF
233	C2123	T3J	ECC15104K000	0.1 μF
234	C2124	B3J	ECC15104K000	0.1 μF
235	C2125	B3J	ECC15104K000	0.1 μF
236	C2126	B3I	ECC15104K000	0.1 μF
237	C2127	B3I	ECC15104K000	0.1 μF
238	C2128	B3I	ECC15104K000	0.1 μF
239	C2154	B2H	ECC15104K000	0.1 μF
240	C2158	T4K	ECC15104K000	0.1 μF
241	C3002	T2G	ECC15104K000	0.1 μF
242	C3004	T3E	ECC15104K000	0.1 μF
243	C3006	T2E	ECC15104K000	0.1 μF
244	C3010	B5G	ECC15104K000	0.1 μF
245	C3012	B5H	ECC15104K000	0.1 μF
246	C3013	T2F	ECC15104K000	0.1 μF
247	C3015	T2F	ECC15104K000	0.1 μF
248	C3039	B5H	ECC15104K000	0.1 μF
249	C3046	B2H	ECC15104K000	0.1 μF
250	C3060	B5H	ECC15104K000	0.1 μF
251	C3061	B3G	ECC15104K000	0.1 μF
252	C3062	B4I	ECC15104K000	0.1 μF
253	C3083	T4G	ECC15104K000	0.1 μF
254	C3084	T4G	ECC15104K000	0.1 μF
255	C3085	T4G	ECC15104K000	0.1 μF
256	C3086	T4G	ECC15104K000	0.1 μF
257	C3089	T3H	ECC15104K000	0.1 μF

No.	Ref. No.	Print No.	Part No.	Description
258	C3094	T3H	ECC15104K000	0.1 μF
259	C3095	T3G	ECC15104K000	0.1 μF
260	C3099	T5G	ECC15104K000	0.1 μF
261	C3107	T3H	ECC15104K000	0.1 μF
262	C3109	T3H	ECC15104K000	0.1 μF
263	C3111	T2G	ECC15104K000	0.1 μF
264	C3112	T2H	ECC15104K000	0.1 μF
265	C3137	T3G	ECC15104K000	0.1 μF
266	C4017	T10K	ECC15104K000	0.1 μF
267	C4019	B6I	ECC15104K000	0.1 μF
268	C4020	T9J	ECC15104K000	0.1 μF
269	C4025	T10J	ECC15104K000	0.1 μF
270	C4066	T2C	ECC15104K000	0.1 μF
271	C4070	T3J	ECC15104K000	0.1 μF
272	C4071	T2K	ECC15104K000	0.1 μF
273	C4072	T2K	ECC15104K000	0.1 μF
274	C4076	T2K	ECC15104K000	0.1 μF
275	C4080	T2K	ECC15104K000	0.1 μF
276	C4083	T3J	ECC15104K000	0.1 μF
277	C5003	B2D	ECC15104K000	0.1 μF
278	C5007	B3H	ECC15104K000	0.1 μF
279	C5018	B3B	ECC15104K000	0.1 μF
280	C5065	B5I	ECC15104K000	0.1 μF
281	C6011	B13F	ECC15104K000	0.1 μF
282	C6016	B13F	ECC15104K000	0.1 μF
283	C6031	B13G	ECC15104K000	0.1 μF
284	C6079	B14H	ECC15104K000	0.1 μF
285	C6084	B14H	ECC15104K000	0.1 μF
286	C6089	B15H	ECC15104K000	0.1 μF
287	C6099	B14I	ECC15104K000	0.1 μF
288	C6101	B14J	ECC15104K000	0.1 μF
289	C6103	B14I	ECC15104K000	0.1 μF
290	C6105	B15J	ECC15104K000	0.1 μF
291	C6106	B15I	ECC15104K000	0.1 μF
292	C6112	T14H	ECC15104K000	0.1 μF
293	C6115	T15H	ECC15104K000	0.1 μF
294	C6121	T15I	ECC15104K000	0.1 μF



No.	Ref. No.	Print No.	Part No.	Description
295	C6125	B15J	ECC15104K000	0.1 $\mu$ F
296	C6128	B15J	ECC15104K000	0.1 $\mu$ F
297	C6131	B14J	ECC15104K000	0.1 $\mu$ F
298	C6135	B14J	ECC15104K000	0.1 $\mu$ F
299	C6140	B14K	ECC15104K000	0.1 $\mu$ F
300	C6165	T12I	ECC15104K000	0.1 $\mu$ F
301	C6171	T11J	ECC15104K000	0.1 $\mu$ F
302	C6176	T11J	ECC15104K000	0.1 $\mu$ F
303	C7008	B9K	ECC15104K000	0.1 $\mu$ F
304	C7023	B8K	ECC15104K000	0.1 $\mu$ F
305	C7028	B8K	ECC15104K000	0.1 $\mu$ F
306	C7032	T8J	ECC15104K000	0.1 $\mu$ F
307	C7033	T8J	ECC15104K000	0.1 $\mu$ F
308	C7037	T8J	ECC15104K000	0.1 $\mu$ F
309	C7041	T8J	ECC15104K000	0.1 $\mu$ F
310	C7078	T11K	ECC15104K000	0.1 $\mu$ F
311	C7090	T9K	ECC15104K000	0.1 $\mu$ F
312	C7100	T10J	ECC15104K000	0.1 $\mu$ F
313	C7103	T10K	ECC15104K000	0.1 $\mu$ F
314	C7104	T10K	ECC15104K000	0.1 $\mu$ F
315	C7107	T10K	ECC15104K000	0.1 $\mu$ F
316	C7109	T9K	ECC15104K000	0.1 $\mu$ F
317	C8007	T13G	ECC15104K000	0.1 $\mu$ F
318	C8019	T14G	ECC15104K000	0.1 $\mu$ F
319	C8022	T13F	ECC15104K000	0.1 $\mu$ F
320	C8027	B11F	ECC15104K000	0.1 $\mu$ F
321	C8032	T13F	ECC15104K000	0.1 $\mu$ F
322	C8035	T13H	ECC15104K000	0.1 $\mu$ F
323	C8102	T9H	ECC15104K000	0.1 $\mu$ F
324	C1004	T6D	ECC18104K000	0.1 $\mu$ F
325	C1005	T7E	ECC18104K000	0.1 $\mu$ F
326	C1015	T6C	ECC18104K000	0.1 $\mu$ F
327	C1040	T5C	ECC18104K000	0.1 $\mu$ F
328	C1108	T5C	ECC18104K000	0.1 $\mu$ F
329	C1115	T4C	ECC18104K000	0.1 $\mu$ F
330	C3151	B1E	ECC18104K000	0.1 $\mu$ F
331	C8037	B7B	ECC18104K000	0.1 $\mu$ F

No.	Ref. No.	Print No.	Part No.	Description
332	C8040	B10B	ECC18104K000	0.1 $\mu$ F
333	C8055	T10H	ECC18104K000	0.1 $\mu$ F
334	C1014	T6C	ECC21224K000	0.22 $\mu$ F
335	C6111	B13I	ECC21224K000	0.22 $\mu$ F
336	C2001	B3I	ECC15224K000	0.22 $\mu$ F
337	C2005	B3I	ECC15224K000	0.22 $\mu$ F
338	C2009	B3I	ECC15224K000	0.22 $\mu$ F
339	C2021	B3I	ECC15224K000	0.22 $\mu$ F
340	C2025	B3I	ECC15224K000	0.22 $\mu$ F
341	C2029	B3I	ECC15224K000	0.22 $\mu$ F
342	C2045	B2I	ECC15224K000	0.22 $\mu$ F
343	C3016	B6H	ECC15224K000	0.22 $\mu$ F
344	C3025	B5I	ECC15224K000	0.22 $\mu$ F
345	C3090	T3G	ECC15224K000	0.22 $\mu$ F
346	C3098	T3G	ECC15224K000	0.22 $\mu$ F
347	C3100	T3G	ECC15224K000	0.22 $\mu$ F
348	C3130	T2G	ECC15224K000	0.22 $\mu$ F
349	C3120	T2F	ECC15474K000	0.47 $\mu$ F
350	C3121	T2G	ECC15474K000	0.47 $\mu$ F
351	C3133	T2F	ECC15474K000	0.47 $\mu$ F
352	C4074	T2K	ECC15474K000	0.47 $\mu$ F
353	C4081	T2K	ECC15474K000	0.47 $\mu$ F
354	C6178	B10K	ECC15474K000	0.47 $\mu$ F
355	C6149	B14K	ECC21684K000	0.68 $\mu$ F
356	C7113	T9K	ECC1575BB001	0.75 pF
357	R6004	B13J	ERC02122F000	1.2 k $\Omega$
358	R6006	B12J	ERC02122F000	1.2 k $\Omega$
359	R6017	B13G	ERC02122F000	1.2 k $\Omega$
360	R6023	B14H	ERC02122F000	1.2 k $\Omega$
361	R6041	B14J	ERC02122F000	1.2 k $\Omega$
362	R6061	T13B	ERC02152J000	1.5 k $\Omega$
363	C4113	T2C	ECC1515AB000	1.5 pF
364	C7076	B10K	ECC1515AB000	1.5 pF
365	R6048	B14K	ERC02182J000	1.8 k $\Omega$
366	C6215	B11K	ECC1518AB000	1.8 pF
367	C8093	T12D	ECC2218AC000	1.8 pF
368	C8096	T12B	ECC2218AC000	1.8 pF

No.	Ref. No.	Print No.	Part No.	Description
369	C1007	T6E	ECC15102K000	1000 pF
370	C2034	T7I	ECC15102K000	1000 pF
371	C2035	T6I	ECC15102K000	1000 pF
372	C2042	T6I	ECC15102K000	1000 pF
373	C2060	T1I	ECC15102K000	1000 pF
374	C2161	T7I	ECC15102K000	1000 pF
375	R4004	B7I	ERC02104F000	100 kΩ
376	R4037	T2K	ERC02104F000	100 kΩ
377	R5124	T5B	ERC02104F000	100 kΩ
378	R6047	B15K	ERC02104F000	100 kΩ
379	R7001	B8J	ERC02104F000	100 kΩ
380	R7002	B9J	ERC02104F000	100 kΩ
381	R8010	T14G	ERC02104F000	100 kΩ
382	R8011	T14G	ERC02104F000	100 kΩ
383	R8015	T14G	ERC02104F000	100 kΩ
384	R8131	T13G	ERC02104F000	100 kΩ
385	R8148	T14G	ERC02104F000	100 kΩ
386	R8149	T14G	ERC02104F000	100 kΩ
387	L6026	B15H	ELW18101G000	100 nH
388	L6054	T12J	ELW18101G000	100 nH
389	L6056	T12K	ELW18101G000	100 nH
390	L7012	T8J	ELW18101G000	100 nH
391	C1006	T7E	ECC15101J000	100 pF
392	C1044	T12G	ECC15101J000	100 pF
393	C1062	T12G	ECC15101J000	100 pF
394	C1071	T3E	ECC15101J000	100 pF
395	C2032	T4K	ECC15101J000	100 pF
396	C2077	T4J	ECC15101J000	100 pF
397	C2081	T4H	ECC15101J000	100 pF
398	C2086	T4H	ECC15101J000	100 pF
399	C2087	T3J	ECC15101J000	100 pF
400	C2089	T3J	ECC15101J000	100 pF
401	C2092	T5I	ECC15101J000	100 pF
402	C2093	T4I	ECC15101J000	100 pF
403	C2109	B4J	ECC15101J000	100 pF
404	C2110	T4J	ECC15101J000	100 pF
405	C2111	T4J	ECC15101J000	100 pF

No.	Ref. No.	Print No.	Part No.	Description
406	C2119	T4J	ECC15101J000	100 pF
407	C2121	B4J	ECC15101J000	100 pF
408	C2122	T5K	ECC15101J000	100 pF
409	C3142	T3G	ECC15101J000	100 pF
410	C3143	T3F	ECC15101J000	100 pF
411	C3144	T3G	ECC15101J000	100 pF
412	C3145	T3F	ECC15101J000	100 pF
413	C4065	T2C	ECC15101J000	100 pF
414	C5000	B2D	ECC15101J000	100 pF
415	C5001	B2D	ECC15101J000	100 pF
416	C5002	B2D	ECC15101J000	100 pF
417	C5004	B3H	ECC15101J000	100 pF
418	C5005	B3H	ECC15101J000	100 pF
419	C5006	B3H	ECC15101J000	100 pF
420	C5011	B5I	ECC15101J000	100 pF
421	C5019	T4A	ECC15101J000	100 pF
422	C5025	T5A	ECC15101J000	100 pF
423	C5030	T2B	ECC15101J000	100 pF
424	C5032	T4B	ECC15101J000	100 pF
425	C5033	T4B	ECC15101J000	100 pF
426	C5034	T4B	ECC15101J000	100 pF
427	C5035	T4B	ECC15101J000	100 pF
428	R5069	B3D	ERC02103F000	10 kΩ
429	R5083	B3D	ERC02103F000	10 kΩ
430	R5093	T1B	ERC02103F000	10 kΩ
431	R5095	B5J	ERC02103F000	10 kΩ
432	R5114	B3B	ERC02103F000	10 kΩ
433	R5122	T5C	ERC02103F000	10 kΩ
434	R6011	B14F	ERC02103F000	10 kΩ
435	R6019	B14G	ERC02103F000	10 kΩ
436	R6021	B12G	ERC02103F000	10 kΩ
437	R6026	B12F	ERC02103F000	10 kΩ
438	R6028	B12F	ERC02103F000	10 kΩ
439	R6031	B12G	ERC02103F000	10 kΩ
440	R6032	B14G	ERC02103F000	10 kΩ
441	R6038	T14H	ERC02103F000	10 kΩ
442	R6050	B14K	ERC02103F000	10 kΩ

No.	Ref. No.	Print No.	Part No.	Description
443	R6081	B12F	ERC02103F000	10 kΩ
444	R6082	B14F	ERC02103F000	10 kΩ
445	R6083	B14F	ERC02103F000	10 kΩ
446	R7023	B10I	ERC02103F000	10 kΩ
447	R7045	T10K	ERC02103F000	10 kΩ
448	R7048	B8J	ERC02103F000	10 kΩ
449	R7051	B8I	ERC02103F000	10 kΩ
450	R8026	T13F	ERC02103F000	10 kΩ
451	R8032	T14F	ERC02103F000	10 kΩ
452	R8133	T14G	ERC02103F000	10 kΩ
453	R8139	T13G	ERC02103F000	10 kΩ
454	R8140	T13F	ERC02103F000	10 kΩ
455	R8142	T13G	ERC02103F000	10 kΩ
456	R8144	T13G	ERC02103F000	10 kΩ
457	R1027	T5D	ERC03103J000	10 kΩ
458	L6011	B14G	ELW18100G000	10 nH
459	L7017	T8J	ELW18100G000	10 nH
460	R8073	T8H	ELW18100G000	10 nH
461	L7024	T8I	ELW18100G000	10 nH
462	L7025	T8I	ELW18100G000	10 nH
463	C1024	T6G	ECC15100G000	10 pF
464	C3075	T4G	ECC15100G000	10 pF
465	C3040	B4G	ECC18105K000	1 μF
466	C3051	B4G	ECC18105K000	1 μF
467	C3056	B3G	ECC18105K000	1 μF
468	C3059	B4G	ECC18105K000	1 μF
469	C3067	B3F	ECC18105K000	1 μF
470	C3138	T3G	ECC18105K000	1 μF
471	C3139	T3F	ECC18105K000	1 μF
472	C3140	T3G	ECC18105K000	1 μF
473	C3141	T3F	ECC18105K000	1 μF
474	C4009	B6J	ECC18105K000	1 μF
475	C4016	B6I	ECC18105K000	1 μF
476	C6001	B12K	ECC18105K000	1 μF
477	C7000	B8J	ECC18105K000	1 μF
478	C8048	B8G	ECC18105K000	1 μF
479	C8134	B8F	ECC18105K000	1 μF

No.	Ref. No.	Print No.	Part No.	Description
480	L6037	T15I	ELL18102K000	1 $\mu$ H
481	R1023	T6D	ERC02222F000	2.2 k $\Omega$
482	R1024	T6C	ERC02222F000	2.2 k $\Omega$
483	R2001	T7I	ERC02222F000	2.2 k $\Omega$
484	R6016	B13G	ERC02222F000	2.2 k $\Omega$
485	R6033	B14H	ERC02222F000	2.2 k $\Omega$
486	R7035	B10K	ERC02222F000	2.2 k $\Omega$
487	R7047	T9J	ERC02222F000	2.2 k $\Omega$
488	R8008	T13G	ERC02222F000	2.2 k $\Omega$
489	R8127	B8B	ERC02222F000	2.2 k $\Omega$
490	L4013	T2B	ELW1822AG000	2.2 nH
491	L4014	T2C	ELW1822AG000	2.2 nH
492	C8099	T13E	ECC2222AC000	2.2 pF
493	C1037	T5H	ECC18225K000	2.2 $\mu$ F
494	C1046	T12H	ECC18225K000	2.2 $\mu$ F
495	C1055	T6H	ECC18225K000	2.2 $\mu$ F
496	C1064	T12H	ECC18225K000	2.2 $\mu$ F
497	C1067	T6G	ECC18225K000	2.2 $\mu$ F
498	C1073	T4E	ECC18225K000	2.2 $\mu$ F
499	C1082	T2J	ECC18225K000	2.2 $\mu$ F
500	C1090	T2D	ECC18225K000	2.2 $\mu$ F
501	C1094	T4F	ECC18225K000	2.2 $\mu$ F
502	C1106	T12H	ECC18225K000	2.2 $\mu$ F
503	C1113	T12I	ECC18225K000	2.2 $\mu$ F
504	C3022	B5H	ECC18225K000	2.2 $\mu$ F
505	C3034	B5I	ECC18225K000	2.2 $\mu$ F
506	C3081	T3G	ECC18225K000	2.2 $\mu$ F
507	C3082	T3G	ECC18225K000	2.2 $\mu$ F
508	R1057	T4C	ERC02203F000	20 k $\Omega$
509	R3013	B6G	ERC02203F000	20 k $\Omega$
510	R3018	B5G	ERC02203F000	20 k $\Omega$
511	R5058	B5B	ERC02203F000	20 k $\Omega$
512	R6029	B14H	ERC02203F000	20 k $\Omega$
513	R8037	T13F	ERC02203F000	20 k $\Omega$
514	C2046	T3J	ECC15200J000	20 pF
515	C2048	T3J	ECC15200J000	20 pF
516	C2054	B3J	ECC15200J000	20 pF

No.	Ref. No.	Print No.	Part No.	Description
517	C2055	B3J	ECC15200J000	20 pF
518	C6127	T14I	ECC15200J000	20 pF
519	C6208	T11J	ECC15200J000	20 pF
520	C7010	B9K	ECC15200J000	20 pF
521	C7087	B9K	ECC15200J000	20 pF
522	C8071	T8H	ECC15200J000	20 pF
523	C4004	B6J	ECC15222K000	2200 pF
524	C4006	B6J	ECC15222K000	2200 pF
525	C6123	B15J	ECC15222K000	2200 pF
526	R8029	T14F	ERC02224J000	220 kΩ
527	C2036	T6I	ECC15221J000	220 pF
528	C2037	T6I	ECC15221J000	220 pF
529	C2063	T4I	ECC15221J000	220 pF
530	C2064	T4I	ECC15221J000	220 pF
531	C2065	B4I	ECC15221J000	220 pF
532	C2070	T4I	ECC15221J000	220 pF
533	C2071	T4J	ECC15221J000	220 pF
534	C2072	T4J	ECC15221J000	220 pF
535	C2074	B4I	ECC15221J000	220 pF
536	C2075	T4I	ECC15221J000	220 pF
537	C2076	T4I	ECC15221J000	220 pF
538	C2078	B4J	ECC15221J000	220 pF
539	C2079	T4I	ECC15221J000	220 pF
540	C2080	T4J	ECC15221J000	220 pF
541	C2084	B4J	ECC15221J000	220 pF
542	C2085	T3H	ECC15221J000	220 pF
543	C2088	T4J	ECC15221J000	220 pF
544	C2090	B3J	ECC15221J000	220 pF
545	C3036	B4G	ECC32226K000	22 μF
546	C3038	B4F	ECC32226K000	22 μF
547	C3045	B2H	ECC32226K000	22 μF
548	C3113	B1E	ECC32226K000	22 μF
549	C5017	B3B	ECC32226K000	22 μF
550	C8043	B10B	ECC32226M001	22 μF
551	L6017	B12G	ELW18271G000	270 nH
552	L6027	B14I	ELL18271K000	270 nH
553	C2003	B3I	ECC15271J001	270 pF

No.	Ref. No.	Print No.	Part No.	Description
554	C2007	B4I	ECC15271J001	270 pF
555	C2011	B3I	ECC15271J001	270 pF
556	C2015	B3I	ECC15271J001	270 pF
557	C2019	B3I	ECC15271J001	270 pF
558	C2023	B3I	ECC15271J001	270 pF
559	C2027	B3I	ECC15271J001	270 pF
560	C2031	B3I	ECC15271J001	270 pF
561	C5009	B5B	ECC15271J001	270 pF
562	C5041	B3K	ECC15271J001	270 pF
563	C5042	B3K	ECC15271J001	270 pF
564	C5043	B3K	ECC15271J001	270 pF
565	C6132	B13J	ECC15271J001	270 pF
566	C6133	B13J	ECC15271J001	270 pF
567	C6134	B13J	ECC15271J001	270 pF
568	C7115	T9J	ECC15271J001	270 pF
569	C8026	B11F	ECC15271J001	270 pF
570	C8029	B11F	ECC15271J001	270 pF
571	C8033	T13F	ECC15271J001	270 pF
572	C8036	T13F	ECC15271J001	270 pF
573	C8173	T13G	ECC15271J001	270 pF
574	C8051	T8F	ECC18271J000	270 pF
575	C8082	T10F	ECC18271J000	270 pF
576	R1039	T5C	ERC02273J000	27 kΩ
577	L6003	B13J	ELW18270J000	27 nH
578	C6094	B14H	ECC15270J000	27 pF
579	C6095	B14H	ECC15270J000	27 pF
580	C7083	B10K	ECC15270J000	27 pF
581	C6204	B10J	ECC15270J000	27 pF
582	R8129	T14G	ERC02202J000	2 kΩ
583	C7074	B10K	ECC1520AB000	2 pF
584	C7088	B9K	ECC1520AB000	2 pF
585	Q8001	T13G	ETPS03060000	PNP transistor
586	Q8007	T13H	ETPS03060000	PNP transistor
587	Q5011	B6B	ETPS01010000	PNP transistor
588	Q1001	T12F	ETPS03070000	PNP transistor
589	Q5012	B2B	ETPS03070000	PNP transistor
590	Q8002	B8G	ETPS03070000	PNP transistor



No.	Ref. No.	Print No.	Part No.	Description
591	Q6006	T15I	ETNS06010000	NPN transistor
592	Q5018	B5B	ETNS03010000	NPN transistor
593	Q6005	T15H	ETNS03010000	NPN transistor
594	Q6008	B11K	ETNS03010000	NPN transistor
595	Q7001	T9J	ETNS03010000	NPN transistor
596	Q7007	T8J	ETNS03010000	NPN transistor
597	Q8000	T13G	ETNS03010000	NPN transistor
598	Q3020	B2E	ETNS03010000	NPN transistor
599	Q6012	B10J	ETNS06010001	NPN transistor
600	Q7003	B9J	ETNS06010001	NPN transistor
601	Q1010	T4B	EFNS06010000	N-MOSFET
602	Q3003	B3G	EFNS06010000	N-MOSFET
603	Q3005	B3G	EFNS06010000	N-MOSFET
604	Q5016	B5B	EFNS06010000	N-MOSFET
605	Q5017	B5B	EFNS06010000	N-MOSFET
606	Q8010	B10F	EFNS06010000	N-MOSFET
607	Q8011	T8H	EFNS06010000	N-MOSFET
608	D1000	T6B	EDES09040000	TVS diode
609	R5055	B5A	ERC02332J000	3.3 k $\Omega$
610	R6059	B10J	ERC02332J000	3.3 k $\Omega$
611	R8088	B9F	ERC02332J000	3.3 k $\Omega$
612	R8145	B10F	ERC02332J000	3.3 k $\Omega$
613	C7018	B9J	ECC1833AB000	3.3 pF
614	C7026	B9J	ECC1833AB000	3.3 pF
615	L6039	B14K	ELW21332K000	3.3 $\mu$ H
616	C6029	B13F	ECC1536AB000	3.6 pF
617	C6197	B10J	ECC1836AB000	3.6 pF
618	C7021	B10J	ECC1836AB000	3.6 pF
619	R8030	B11F	ERC02392J000	3.9 k $\Omega$
620	R3037	B4G	ERC02303J000	30 k $\Omega$
621	R3041	B3G	ERC02303J000	30 k $\Omega$
622	R3098	T3G	ERC02303J000	30 k $\Omega$
623	R3099	T3F	ERC02303J000	30 k $\Omega$
624	R3100	T3G	ERC02303J000	30 k $\Omega$
625	R3101	T3F	ERC02303J000	30 k $\Omega$
626	R6030	B15H	ERC02303J000	30 k $\Omega$
627	R6034	B15H	ERC02303J000	30 k $\Omega$

No.	Ref. No.	Print No.	Part No.	Description
628	C7075	B10K	ELW15300G000	30 nH
629	C6145	B14K	ECC18332K000	3300 pF
630	R8024	T14G	ERC02334F000	330 kΩ
631	L6034	T14I	ELW18331G000	330 nH
632	L2002	T6I	ELW18331G000	330 nH
633	L6053	B10K	ELW18331G000	330 nH
634	L6055	B10J	ELW18331G000	330 nH
635	L6057	B10I	ELW18331G000	330 nH
636	L6064	B10J	ELW18331G000	330 nH
637	L7001	B9K	ELW18331G000	330 nH
638	L7002	B9J	ELW18331G000	330 nH
639	L7003	B9I	ELW18331G000	330 nH
640	L7008	B10J	ELW18331G000	330 nH
641	C7114	T9K	ECC15331J000	330 pF
642	R5044	B5A	ERC02333F000	33 kΩ
643	R8036	T14F	ERC02333F000	33 kΩ
644	R1001	T6C	ERC02333F000	33 kΩ
645	R4016	B6I	ERC02333F000	33 kΩ
646	L6067	B11K	ELW18330G000	33 nH
647	C6058	B14G	ECC15330J000	33 pF
648	C6096	B14I	ECC15330J000	33 pF
649	C6120	T14H	ECC18330J000	33 pF
650	R8016	T13G	ERC02363J000	36 kΩ
651	C8060	T9E	ECC22360J000	36 pF
652	C8077	T10E	ECC22360J000	36 pF
653	R1016	T6G	ERC02394F000	390 kΩ
654	L7039	T9K	ELW18391G001	390 nH
655	R8017	T13G	ERC02393J000	39 kΩ
656	R8070	T15A	ERC06393J000	39 kΩ
657	L6058	T12K	ELW18390G000	39 nH
658	L6059	T11K	ELW18390G000	39 nH
659	L4006	T2C	ELW18390G000	39 nH
660	C3037	B4G	ECC15390J000	39 pF
661	C6119	T14I	ECC15390J000	39 pF
662	C6143	B14K	ECC18390J000	39 pF
663	R3050	B4I	ERC02302J000	3 kΩ
664	R3052	B4I	ERC02302J000	3 kΩ

No.	Ref. No.	Print No.	Part No.	Description
665	R3108	B7I	ERC02302J000	3 kΩ
666	R3110	B7I	ERC02302J000	3 kΩ
667	R8028	T14F	ERC02302J000	3 kΩ
668	R8147	T14G	ERC02302J000	3 kΩ
669	C6006	B13J	ECC1530AB000	3 pF
670	C6007	B13J	ECC1530AB000	3 pF
671	C7069	T8I	ECC1530AB000	3 pF
672	C7070	T8I	ECC1530AB000	3 pF
673	C6191	B10J	ECC1830AB000	3 pF
674	C6209	T12J	ECC1545AB000	4.5 pF
675	C6210	T12J	ECC1545AB000	4.5 pF
676	R1014	T12F	ERC02472J000	4.7 kΩ
677	R1048	T5D	ERC02472J000	4.7 kΩ
678	R1055	T4D	ERC02472J000	4.7 kΩ
679	R2006	B2J	ERC02472J000	4.7 kΩ
680	R2007	B2I	ERC02472J000	4.7 kΩ
681	R2062	T4J	ERC02472J000	4.7 kΩ
682	R2063	T4J	ERC02472J000	4.7 kΩ
683	R2091	B2H	ERC02472J000	4.7 kΩ
684	R2103	T4K	ERC02472J000	4.7 kΩ
685	R5001	B4F	ERC02472J000	4.7 kΩ
686	R5016	B5D	ERC02472J000	4.7 kΩ
687	R5017	B6D	ERC02472J000	4.7 kΩ
688	R5041	B6B	ERC02472J000	4.7 kΩ
689	R5056	B4J	ERC02472J000	4.7 kΩ
690	R5065	B4J	ERC02472J000	4.7 kΩ
691	R5072	B2J	ERC02472J000	4.7 kΩ
692	R5075	B6D	ERC02472J000	4.7 kΩ
693	R8044	B8G	ERC02472J000	4.7 kΩ
694	R8084	T13H	ERC02472J000	4.7 kΩ
695	L6014	B14G	ELW1847AD000	4.7 nH
696	R8066	T9H	ELW1847AD000	4.7 nH
697	C7081	B10K	ECC1547AB000	4.7 pF
698	C8098	T12D	ECC2247AC000	4.7 pF
699	C1045	T12G	ECC21475K000	4.7 μF
700	C1063	T12G	ECC21475K000	4.7 μF
701	C1072	T3E	ECC21475K000	4.7 μF

No.	Ref. No.	Print No.	Part No.	Description
702	C4058	T2D	ECC21475K000	4.7 $\mu$ F
703	C6122	T15H	ECC21475K000	4.7 $\mu$ F
704	C6158	B10K	ECC21475K000	4.7 $\mu$ F
705	C7011	T9J	ECC21475K000	4.7 $\mu$ F
706	L6036	B15J	ELL21472K000	4.7 $\mu$ H
707	R8027	T13F	ERC02433J000	43 k $\Omega$
708	C8144	T11C	ECC18472K000	4700 pF
709	R3059	B4H	ERC02474J000	470 k $\Omega$
710	L6024	B14H	ELL18471K000	470 nH
711	L2001	T6I	ELW18471G000	470 nH
712	L8000	T14F	ELW18471G000	470 nH
713	L8001	T14G	ELW18471G000	470 nH
714	R8003	T14F	ELW18471G000	470 nH
715	C1010	T6C	ECC15471J000	470 pF
716	C2061	B3I	ECC15471J000	470 pF
717	C3014	T2F	ECC15471J000	470 pF
718	C3017	B4H	ECC15471J000	470 pF
719	C3018	B4G	ECC15471J000	470 pF
720	C3030	B4F	ECC15471J000	470 pF
721	C3031	B4F	ECC15471J000	470 pF
722	C3041	B4F	ECC15471J000	470 pF
723	C3042	B3F	ECC15471J000	470 pF
724	C3044	B2H	ECC15471J000	470 pF
725	C3071	B4H	ECC15471J000	470 pF
726	C3072	B4H	ECC15471J000	470 pF
727	C3091	T3G	ECC15471J000	470 pF
728	C3092	T3G	ECC15471J000	470 pF
729	C3102	T3G	ECC15471J000	470 pF
730	C3103	T3G	ECC15471J000	470 pF
731	C3104	T3G	ECC15471J000	470 pF
732	C3105	T3H	ECC15471J000	470 pF
733	C4069	T1D	ECC15471J000	470 pF
734	C4104	T1D	ECC15471J000	470 pF
735	C5062	T3D	ECC15471J000	470 pF
736	C6100	B14I	ECC15471J000	470 pF
737	C6118	T15H	ECC15471J000	470 pF
738	C6164	T12I	ECC15471J000	470 pF

No.	Ref. No.	Print No.	Part No.	Description
739	R5043	B4D	ERC02822J000	8.2 kΩ
740	R5047	B4F	ERC02822J000	8.2 kΩ
741	R5049	B6E	ERC02822J000	8.2 kΩ
742	R5050	B6E	ERC02822J000	8.2 kΩ
743	R5052	B4J	ERC02822J000	8.2 kΩ
744	R5070	B4D	ERC02822J000	8.2 kΩ
745	R5084	B4E	ERC02822J000	8.2 kΩ
746	R5128	B2J	ERC02822J000	8.2 kΩ
747	R6045	T14I	ERC02822J000	8.2 kΩ
748	R6065	B10J	ERC02822J000	8.2 kΩ
749	R6076	T12J	ERC02822J000	8.2 kΩ
750	R7007	B9J	ERC02822J000	8.2 kΩ
751	R8062	B10H	ERC02822J000	8.2 kΩ
752	L7028	B10K	ELW1882AD000	8.2 nH
753	L7029	B10K	ELW1882AD000	8.2 nH
754	C7080	B10K	ECC1582AW000	8.2 pF
755	C8181	T10B	ECC2282AC000	8.2 pF
756	L2003	T6I	ELL18821K000	820 nH
757	L6025	B15H	ELL18821K000	820 nH
758	L7014	T8J	ELL18821K000	820 nH
759	C7119	B8I	ECC15821J000	820 pF
760	L6008	B13F	ELW18820G001	82 nH
761	L6021	B12H	ELW18820G001	82 nH
762	C6129	T14I	ECC18820J000	82 pF
763	C6024	B12J	ECC1580AB000	8 pF
764	C6049	B14F	ECC1580AB000	8 pF
765	C6052	B14F	ECC1580AB000	8 pF
766	C6053	B13H	ECC1580AB000	8 pF
767	C6211	T11J	ECC1580AB000	8 pF
768	C6213	T12I	ECC1580AB000	8 pF
769	C7071	T8J	ECC1580AB000	8 pF
770	C7073	T8I	ECC1580AB000	8 pF
771	C7017	B9J	ECC1880AB000	8 pF
772	R3003	T2F	ERC02912J000	9.1 kΩ
773	R3011	T2G	ERC02912J000	9.1 kΩ
774	R6039	B14I	ERC02912J000	9.1 kΩ
775	R7050	B8I	ERC02912J000	9.1 kΩ

No.	Ref. No.	Print No.	Part No.	Description
776	L6019	B12G	ELW1591AG000	9.1 nH
777	C6056	B14G	ECC1590AB000	9 pF
778	C7025	B9J	ECC1890AB000	9 pF
779	U8001	T14G	ESE002000002	Operational amplifier
780	U8000	T13G	ESE001000000	Operational amplifier
781	U8002	T13F	ESE001000000	Operational amplifier
782	U6002	B14J	ESC001000000	IF processor IC
783	U8004	T8H	ESY009000000	RF amplifier
784	Q8004	T9E	ESA005000002	RF power amplifier
785	Q2002	T6I	ETNS02010000	NPN transistor
786	D1001	T6E	EDXS09010000	Schottky barrier diode
787	D6024	T13B	EDSS17010000	Switching diode
788	D7011	B10K	EDSS17010000	Switching diode
789	D7014	B9K	EDSS17010000	Switching diode
790	D6015	B10I	EDVS05020000	Varactor diode
791	D6017	B10I	EDVS05020000	Varactor diode
792	D7002	B9I	EDVS05020000	Varactor diode
793	D7005	B9I	EDVS05020000	Varactor diode
794	Q6001	B12J	ETNS04030000	NPN transistor
795	Q6002	B13G	ETNS04030000	NPN transistor
796	L3001	B6H	ELF15601Y000	Bead
797	L3003	B5H	ELF15601Y000	Bead
798	L3004	B6I	ELF15601Y000	Bead
799	L3020	T2G	ELF41600Y000	Bead
800	L3021	B3E	ELF41600Y000	Bead
801	L8007	B7C	ELF41600Y000	Bead
802	L8008	B7B	ELF41600Y000	Bead
803	L8011	B10C	ELF41600Y000	Bead
804	L8012	B10C	ELF41600Y000	Bead
805	U3006	T3H	ESJ014000000	Noise reduction IC
806	D8008	B8H	EDWS05040000	Zener diode
807	L1001	T5E	ELC00153N000	15 $\mu$ H
808	L1004	T6H	ELC00622N000	6.2 $\mu$ H
809	L1000	T6E	ELC00103N000	10 $\mu$ H
810	U5004	B4K	EGKS00000000	EMI filter
811	U5005	B4K	EGKS00000000	EMI filter
812	U5006	B4K	EGKS00000000	EMI filter

No.	Ref. No.	Print No.	Part No.	Description
813	U5007	B3K	EGKS00000000	EMI filter
814	Q1003	B6C	ETPS07030000	PNP transistor
815	D1009	T4C	EDSS03010001	Switching diode
816	D6011	T11J	EDSS03010001	Switching diode
817	D7003	B8K	EDSS03010001	Switching diode
818	D8003	T14G	EDSS03010001	Switching diode
819	X7000	T10K	EYDS01925000	TCXO
820	X4001	T3K	EYBS02605002	Crystal oscillator
821	Q1002	T12F	ETBS03040000	Transistor
822	Q1005	T5D	ETBS03040000	Transistor
823	Q1007	T5D	ETBS03040000	Transistor
824	Q1012	T4C	ETBS03040000	Transistor
825	Q1014	T5C	ETBS03040000	Transistor
826	Q2003	T4K	ETBS03040000	Transistor
827	Q5013	B2B	ETBS03040000	Transistor
828	Q5014	T5C	ETBS03040000	Transistor
829	Q8003	B8G	ETBS03040000	Transistor
830	Q8008	T13H	ETBS03040000	Transistor
831	D1007	T4C	EDWS03050000	Zener diode
832	D7010	T8K	EDWS03050004	Zener diode
833	D1006	T5C	EDWS03050003	Zener diode
834	Q1000	T6I	ETCS03020000	Compound transistor
835	Q1009	T4B	ETCS03020000	Compound transistor
836	Q3000	B5F	ETCS03020000	Compound transistor
837	Q3001	B4G	ETCS03020000	Compound transistor
838	Q3002	B4G	ETCS03020000	Compound transistor
839	Q3004	T2G	ETCS03020000	Compound transistor
840	Q6007	B11K	ETCS03020000	Compound transistor
841	Q6009	B11K	ETCS03020000	Compound transistor
842	Q6011	T11I	ETCS03020000	Compound transistor
843	Q6016	T14H	ETCS03020000	Compound transistor
844	Q7000	B8K	ETCS03020000	Compound transistor
845	Q7002	B8K	ETCS03020000	Compound transistor
846	Q7004	B8K	ETCS03020000	Compound transistor
847	Q7008	T11K	ETCS03020000	Compound transistor
848	Q7009	T9K	ETCS03020000	Compound transistor
849	Q5004	T3D	ETCS03020001	Compound transistor

No.	Ref. No.	Print No.	Part No.	Description
850	Q5020	T13C	ETCS03020001	Compound transistor
851	Q5000	B2D	ETCS03050000	Compound transistor
852	Q5001	B4F	ETCS03050000	Compound transistor
853	Q5002	B6D	ETCS03050000	Compound transistor
854	Q5003	B4D	ETCS03050000	Compound transistor
855	Q5005	B4D	ETCS03050000	Compound transistor
856	Q5006	B4J	ETCS03050000	Compound transistor
857	Q5007	B3D	ETCS03050000	Compound transistor
858	Q5008	B2J	ETCS03050000	Compound transistor
859	Q5009	B6D	ETCS03050000	Compound transistor
860	Q5010	B3D	ETCS03050000	Compound transistor
861	Q5019	B5D	ETCS03050000	Compound transistor
862	D5010	T4B	EDES14010000	ESD protection diode
863	D5024	T4B	EDES14010000	ESD protection diode
864	D5025	T2B	EDES14010000	ESD protection diode
865	D5026	T2B	EDES14010000	ESD protection diode
866	U2004	T2I	ESM032000000	Memory
867	D8004	T12A	EDSS11010000	Switching diode
868	D8005	T13B	EDSS11010000	Switching diode
869	U4006	T1C	ESG020000001	GPS module
870	X2000	T3K	EYAS32771001	Crystal
871	BT2000	B1I	EBE000001000	Button cell
872	Q2001	B2H	ETNS07010000	NPN transistor
873	Q1011	T5C	ETPS07010000	PNP transistor
874	Q1013	T4C	ETPS07010000	PNP transistor
875	D3000	B3F	EDES13010000	ESD protection diode
876	D3001	B4F	EDES13010000	ESD protection diode
877	D5002	T4A	EDES13010000	ESD protection diode
878	D5003	T2A	EDES13010000	ESD protection diode
879	D5004	T3A	EDES13010000	ESD protection diode
880	D5005	T3B	EDES13010000	ESD protection diode
881	D5006	T5B	EDES13010000	ESD protection diode
882	D5007	T3B	EDES13010000	ESD protection diode
883	D5011	B3B	EDES13010000	ESD protection diode
884	D5012	T4A	EDES13010000	ESD protection diode
885	D5016	T5J	EDES13010000	ESD protection diode
886	D5017	B6K	EDES13010000	ESD protection diode



No.	Ref. No.	Print No.	Part No.	Description
887	D5018	B7K	EDES13010000	ESD protection diode
888	D1002	T5F	EDES13010001	ESD protection diode
889	D2002	T3K	EDES13010001	ESD protection diode
890	D5008	T3B	EDES13010001	ESD protection diode
891	D5014	B7K	EDES13010001	ESD protection diode
892	D5020	T6J	EDES13010001	ESD protection diode
893	U2005	T5I	SMESM003000001	Memory
894	U8011	T13G	ESE010000001	Operational amplifier
895	U1004	T12G	ESH010000002	Power management IC
896	U1005	T12G	ESH010000002	Power management IC
897	U1008	T4F	ESH010000000	Power management IC
898	U3001	B5G	ESE002000001	Operational amplifier
899	U3004	B4G	ESE002000001	Operational amplifier
900	U1007	T5C	ESE010000000	Operational amplifier
901	U3002	T2G	ESE010000000	Operational amplifier
902	U2007	T5K	ESP014000000	Switch IC
903	U3005	B4I	ESP014000001	Three-way analog switch IC
904	U2001	T4K	ESP025000000	Two-way USB analog switch IC
905	U2000	T3I	ESN002000005	Baseband processor IC
906	Q6003	B15H	ETNS04010000	NPN transistor
907	Q6004	B15H	ETNS04010000	NPN transistor
908	Q6013	T12J	ETNS04010000	NPN transistor
909	Q6014	T12K	ETNS04010000	NPN transistor
910	Q7006	T8J	ETNS04010000	NPN transistor
911	D5019	B4K	EDES06010002	ESD protection diode
912	D2010	B5K	EDES06010003	ESD protection diode
913	D5001	T1B	ESJ025000000	USB protection IC
914	D5013	T6K	ESJ025000000	USB protection IC
915	Q1004	T7C	ETNS04040000	NPN transistor
916	D1005	T4C	EDXS03030000	Schottky barrier diode
917	D2000	B2I	EDXS03030000	Schottky barrier diode
918	D2003	B2I	EDXS03030000	Schottky barrier diode
919	D2004	B2I	EDXS03030000	Schottky barrier diode
920	D5015	B6B	EDXS03030000	Schottky barrier diode
921	Q8006	T9H	EFAS02010000	PA MOSFET
922	Q8005	T10H	EFAS02010001	PA MOSFET
923	U1003	T6H	ESH016000004	Power management IC

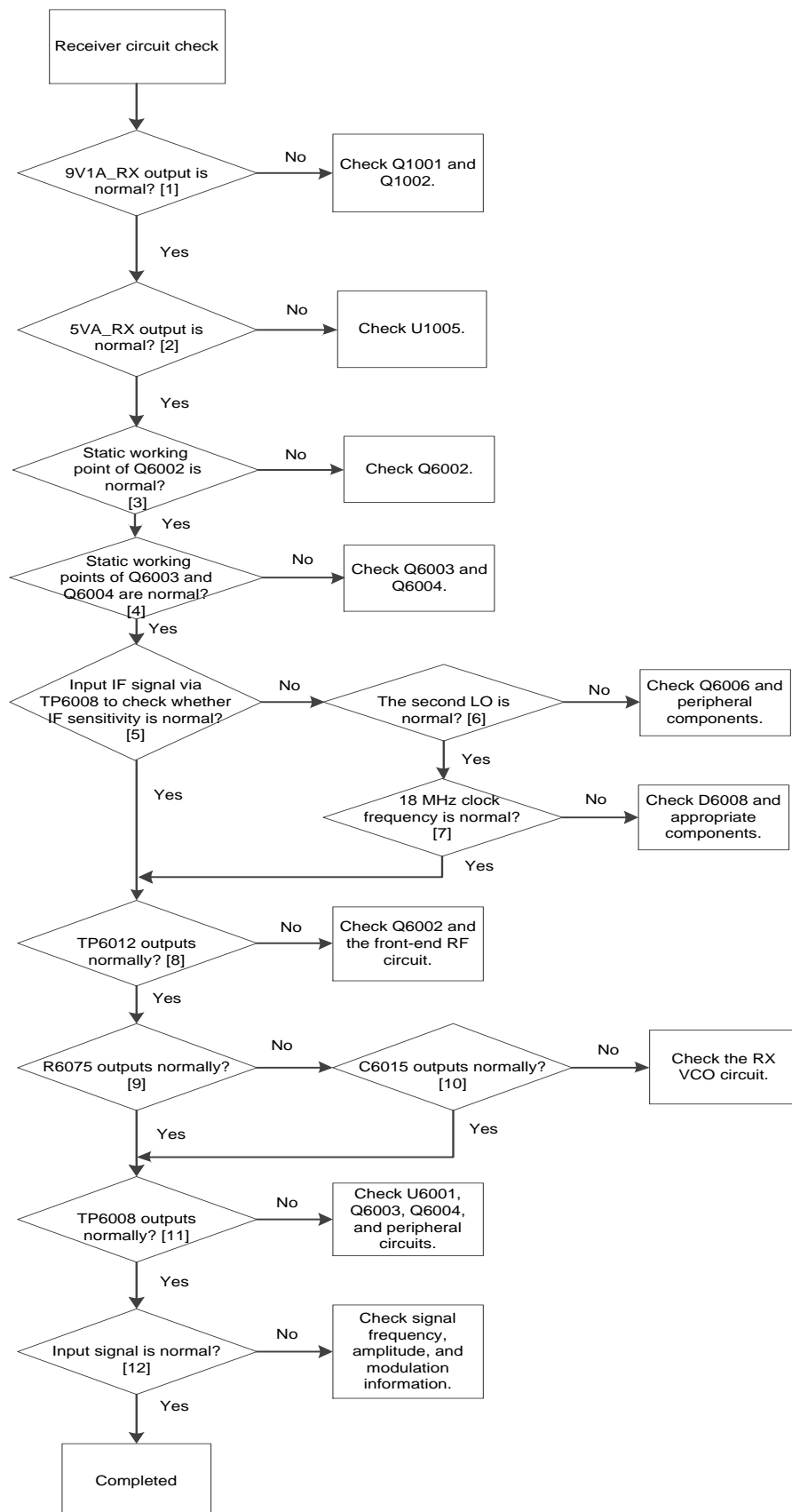
No.	Ref. No.	Print No.	Part No.	Description
924	U1002	T5H	ESH016000003	Power management IC
925	U1009	T1J	ESH016000000	Power management IC
926	U1006	T6G	ESH016000002	Power management IC
927	U1010	T4F	ESH016000002	Power management IC
928	U1011	T2D	ESH016000002	Power management IC
929	U1012	T12H	ESH016000002	Power management IC
930	U1013	T12H	ESH016000002	Power management IC
931	U2008	B2H	ESH016000002	Power management IC
932	Q5015	B5B	EFPS03020000	P-MOSFET
933	U8003	B8B	ESE028000000	Current sense amplifier
934	U7000	T10K	ESD017000000	PLL IC
935	D6002	B12H	ESZ017000000	Mixer IC
936	U2006	T4J	ESR002000000	Logic IC
937	U5000	B3D	ESR002000001	Logic IC
938	U5001	B3H	ESR002000001	Logic IC
939	U5002	B5I	ESR002000001	Logic IC
940	U3003	B5H	ESN002000001	Baseband processor IC
941	U4000	B7I	ESF002000000	D/A converter IC
942	U2003	B2J	ESQ002000001	Reset IC
943	U1000	T6E	ESH002000000	Power management IC
944	U1001	T6G	ESH002000001	Power management IC
945	U3010	T3G	ESP002000000	Analog switch IC
946	U3000	T2G	ESP002000001	Switch IC
947	U3008	T2H	ESP002000001	Switch IC
948	D1008	T4B	EDWS03070001	Zener diode
949	D1004	T5C	EDWS03070000	Zener diode
950	D2001	B2H	EDWS03070000	Zener diode
951	Q6000	B13F	ETCS03080001	Compound transistor
952	U501	T8J	ESY013000000	Buffer amplifier IC
953	U2002	B2I	ESH018000000	Power management IC
954	U4008	T2K	EGGS02447000	SAW filter
955	U4009	T2K	ESB008000000	Bluetooth module
956	X4001	T3K	EYBS02605002	Crystal resonator
957	J1000	/	EJZS00600000	Power socket
958	C1000	/	ECE00477M002	470 $\mu$ F
959	J5000	/	EJZS02600000	D_SUB connector
960	U3009	/	ESV024000000	Audio amplifier IC

No.	Ref. No.	Print No.	Part No.	Description
961	J4000	/	EMC001000000	RF connector
962	J4001	/	EMC001000000	RF connector
963	J5002	/	EJHS02020000	FPC connector
964	J5001	/	EJBS02000002	Board-to-board connector
965	J5003	/	EJMS00800000	MicroSD card connector
966	S1000	/	MB0005000020	Heat sink
967	W8000	/	EMH001000000	TNC antenna connector
968	A1	/	MM0059000200	Shielding can A
969	A2	/	MM0059000200	Shielding can A
970	A3	/	MM0059000200	Shielding can A
971	A4	/	MM0059000200	Shielding can A
972	B1	/	MM0060000200	Shielding can B
973	B2	/	MM0060000200	Shielding can B
974	B3	/	MM0060000200	Shielding can B
975	C1	/	MM0061000200	Shielding can C
976	D1	/	MM0062000200	Shielding can D
977	E1	/	MM0063000200	Shielding can E
978	E2	/	MM0063000200	Shielding can E
979	/	/	EPPH0020800F	PCB

Table 7-2 Parts List of RDR9000 RX Board

## 7.8 Troubleshooting Flow Chart

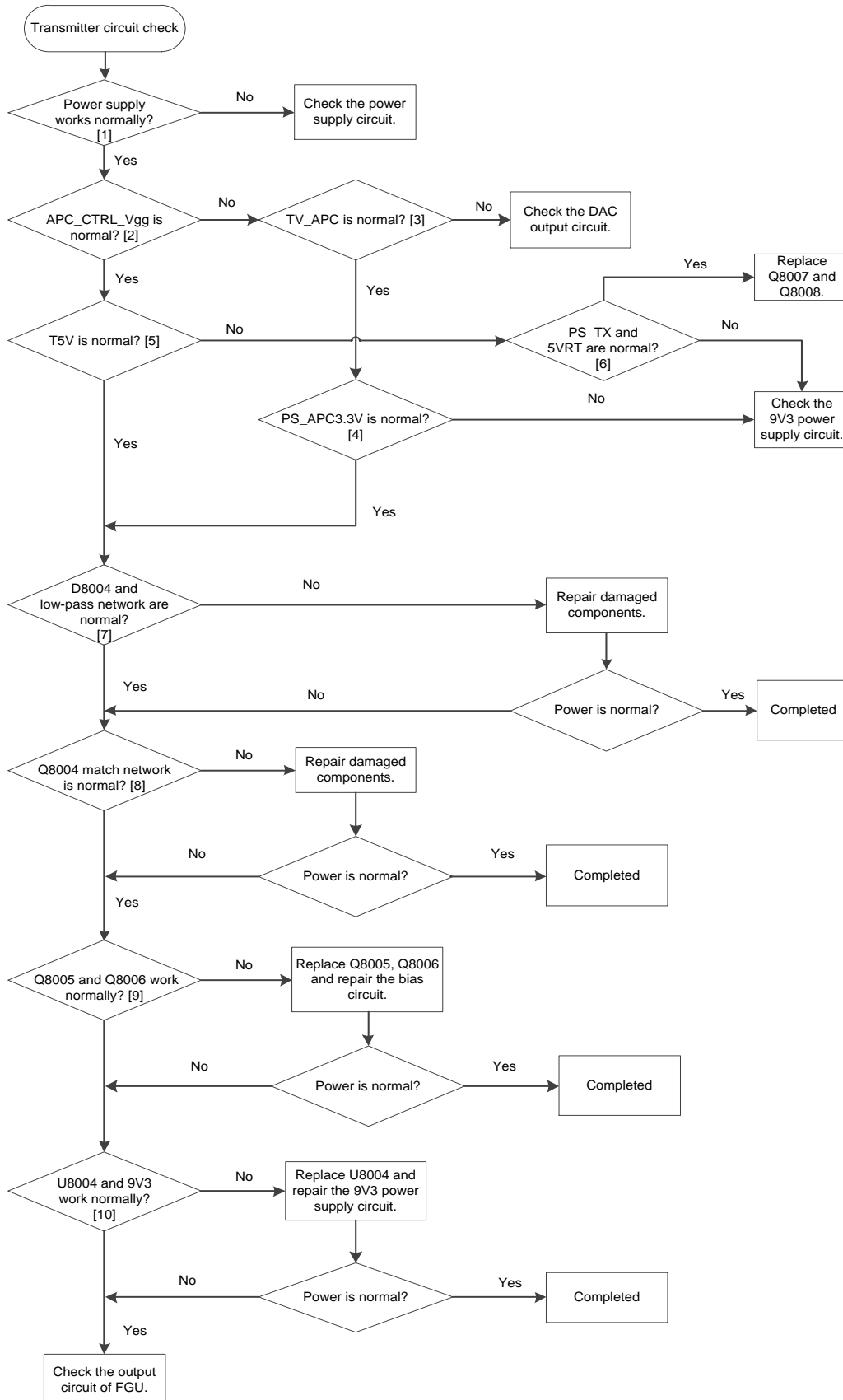
### 7.8.1 Receiver Circuit



## Description of Normal Situations:

- 1) Voltage at L6001: about 9.1 V.
- 2) Voltage at L6022: about 5 V.
- 3) For Q6002, Vbe: about 0.74 V; Vce: about 5.4 V (in the case of no signal reception).
- 4) For Q6003, Vbe: about 0.76 V; Vce: about 1.4 V; for Q6004, Vbe: about 0.7 V; Vce: about 1.55 V (in the case of no signal reception).
- 5) Cut off the front-end circuit, and input a 73.35 MHz IF signal at TP6008 to test IF sensitivity. Normally, the IF sensitivity is -109 dBm.
- 6) Frequency of Q6006: 71.1 MHz.
- 7) Frequency of L6039: 18 MHz.
- 8) Input a -30 dBm RF signal at the antenna connector and test at TP6012. Normally, gain > 11 dB, output signal > -19 dBm.
- 9) Input a -30 dBm RF signal at the antenna connector and test at R6075 (do not cut off the back-end circuit). Normally, gain > 1 dB, output signal > -29 dBm.
- 10) For output signal of C6015, signal frequency:  $F = RF - IF$ , signal amplitude > 14 dBm.
- 11) For input of -80 dBm signal at L6024, gain > 25 dB, output signal > -55 dBm; for input of -30 dBm signal, output signal < -20 dBm.
- 12) The input signal at the antenna connector, with the standard tuning information (AF = 1 kHz, FM = 3 kHz), is -47 dBm.

## 7.8.2 Transmitter Circuit



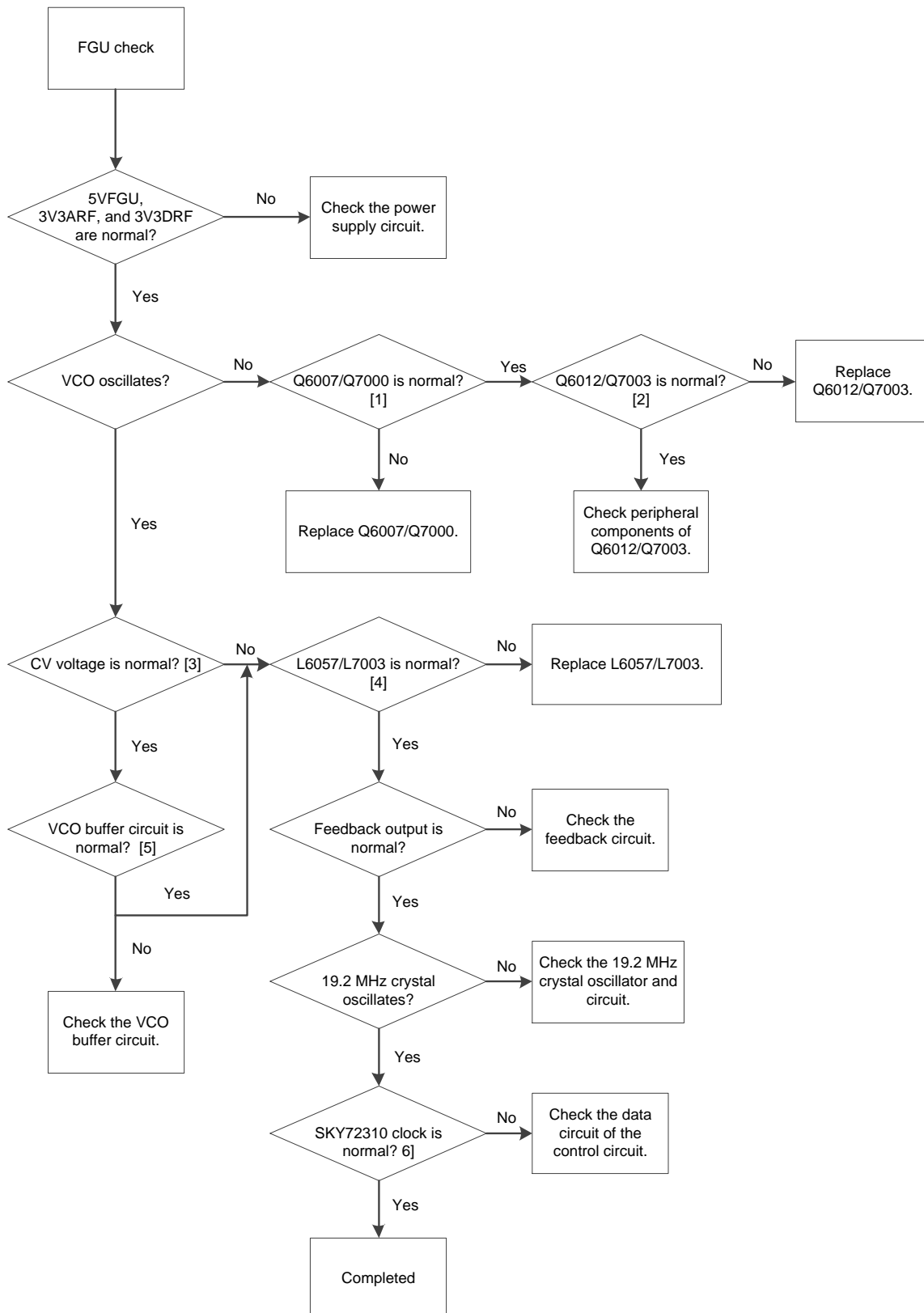
## Descriptions of Normal Situations:

- 1) Voltage of the power supply: about 13.6 V.
- 2) For low power, APC\_CTRL\_Vgg: 1.0-1.2 V; for medium power, APC\_CTRL\_Vgg: 1.4-1.8 V; for high power, APC\_CTRL\_Vgg: 1.8-2.2 V.
- 3) For low power, TV\_APC: 1.2-1.4 V; for medium power, TV\_APC: 1.6-2.0 V; for high power, TV\_APC: 2.0-2.4 V.
- 4) PS\_APC: about 3.3 V.
- 5) T5V: about 5 V.
- 6) PS\_TX: about 3.3 V. 5VRT: about 5 V.
- 7) Start-up voltage of D8004: about 0.7 V. The low-pass coil must be soldered appropriately and remain in good condition.
- 8) PA bias of Q8004 is normal. Input voltage: about 2.8 V, output voltage: 13.6 V, gain: about 12 dB. The components must be soldered appropriately and remain in good condition.
- 9) PA bias of Q8005 is normal. Input voltage: 1.0-1.5 V, output voltage: 9.3 V, gain: about 15 dB. Gain amplifier bias of Q8006 is normal. Input voltage: 1.5-2.3 V, output voltage: 9.3 V, gain: about 15 dB. The components must be soldered appropriately and remain in good condition.
- 10) Gain amplifier bias of U8004 is normal. Output voltage: 1.3 V, gain: about 10 dB. The components must be soldered appropriately and remain in good condition.



**Note:** The above check operations should be performed with the supply voltage of 13.6V.

### 7.8.3 FGU





**Description of Normal Situations:**

- 1) During reception, output voltage at pin 3 of Q6007 and Q6009: about 4 V. During transmission, output voltage at pin 3 of Q7000 and Q7002: about 4 V.
- 2) During reception, voltage at Q6012 E: about 1.8 V. During transmission, voltage at Q7003 E: about 1.8 V.
- 3) The CV value varies with frequencies. The normal value should range from 0.5 V to 4.5 V.
- 4) L6057/L7003 is on.
- 5) During reception, voltage at B of Q6012 and Q6014: about 0.7 V. During transmission, voltage at Q7006 B: about 0.7 V.
- 6) PLL\_98\_CLK outputs 1.92 MHz clock.

## 8. VHF (136-174 MHz) Information

### 8.1 Transmitter Circuit

The transmitter circuit mainly consists of:

- RF power amplifier circuit
- Low-pass filter circuit (for suppressing harmonics)
- Auto power control circuit (APC) (including temperature detection circuit)

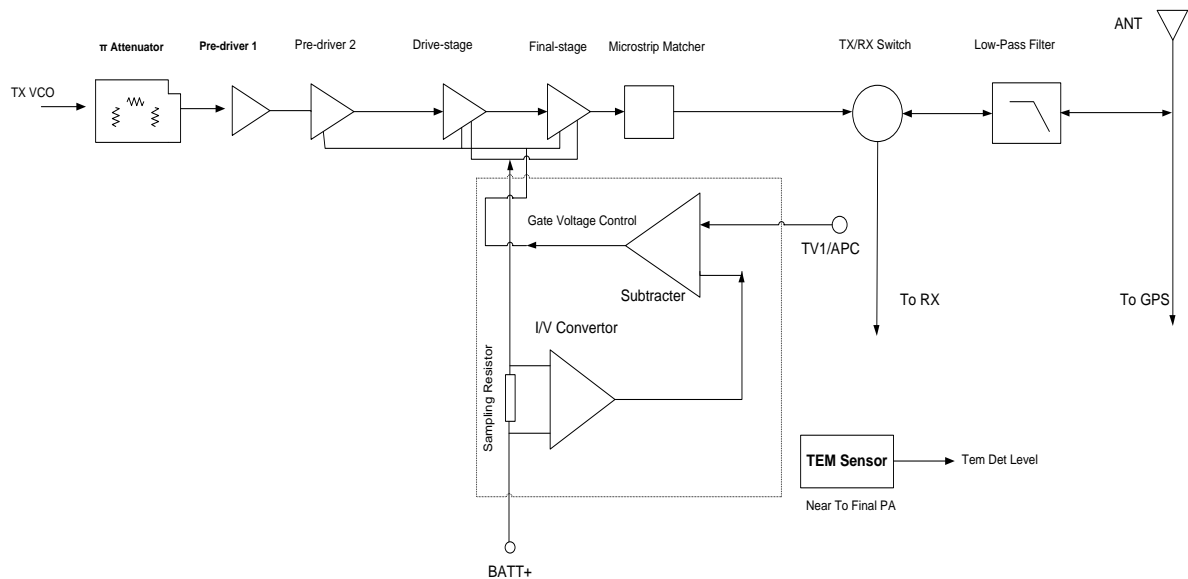


Figure 8-1 Diagram of Transmitter Circuit

#### 8.1.1 RF Power Amplifier Circuit

The carrier signal generated by the TX VCO is modulated and amplified, and then feeds to the transmitter circuit via the following steps:

- Step 1** The signal passes through a  $\pi$ -shaped attenuator first, allowing interstage isolation between the RF power amplifier circuit and the TX VCO.
- Step 2** The signal goes to a pre-driver amplifier (U8004) for pre-amplification, providing further interstage isolation.
- Step 3** The signal goes to a pre-driver amplifier (Q8006) for adequate power amplification, so as to obtain further amplification in the driver amplifier (Q8005).
- Step 4** After being processed by multiple amplifiers, the signal is processed by a microstrip matcher at the output of the final PA (Q8004) to complete output impedance matching, as so to reduce output power loss due to impedance mismatch.
- Step 5** The signal passes through the TX/RX switch (D8004) and goes to the low-pass filter.

### 8.1.2 Low-Pass Filter Circuit

The low-pass filter is a high-order Chebyshev filter composed of lumped-parameter inductors and capacitors. Via this filter, the spurious signal within the stop band can be attenuated as much as possible while the in-band ripple is within the required range.

### 8.1.3 Auto Power Control Circuit

In the auto power control and temperature detection circuit, the drain current from the driver amplifier and final-stage amplifier is converted to voltage via the sampling resistor and subtraction circuit (composed of the first operational amplifier). This voltage is compared with the APC control voltage (output by DAC) at the second operational amplifier. Then the error voltage, which is output by the second operational amplifier, controls TX power by controlling the bias voltage at the gates of the amplifiers (including the driver amplifier and the final-stage amplifier). The temperature sensor detects the surface temperature of the final-stage amplifier, and then converts it to DC voltage. Then the DC voltage is compared with the voltage corresponding to the protection temperature (generally 80% of the extreme temperature) of the amplifier. If the surface temperature is too high, the bias voltage of the amplifier will be reduced until the surface temperature falls below the protection temperature.

## 8.2 Receiver Circuit

The receiver circuit is mainly composed of RF band-pass filter, low-noise amplifier, mixer, IF filter, IF amplifier, and IF processor.

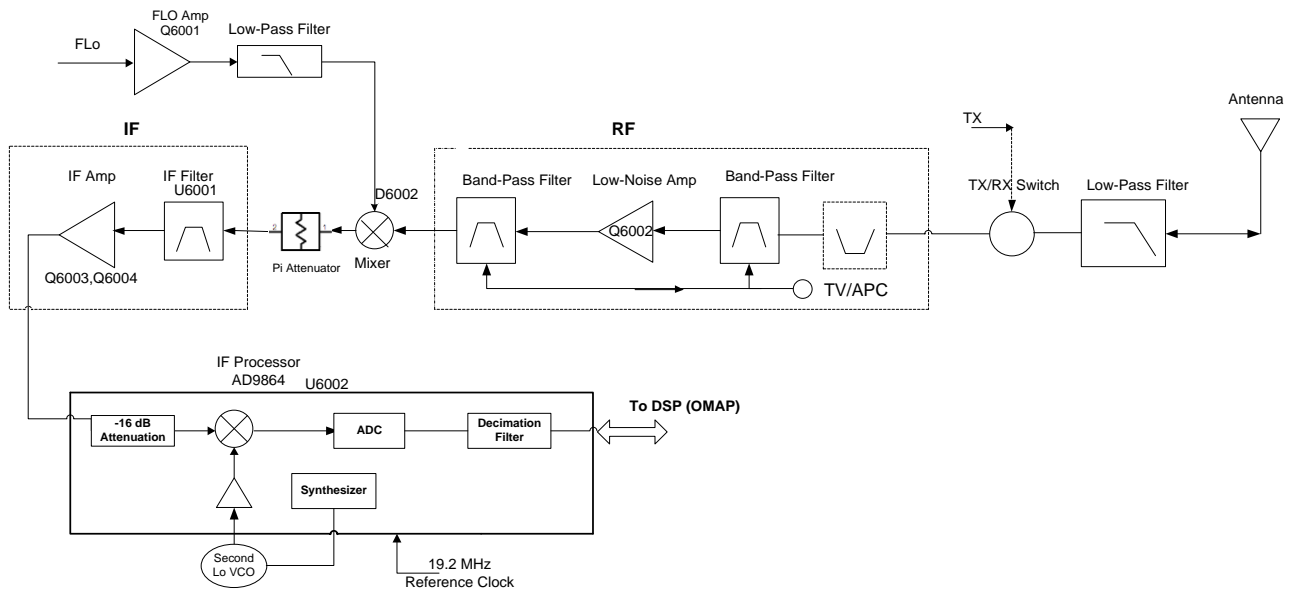


Figure 8-2 Diagram of Receiver Circuit

### 8.2.1 Receiver Front-End

The HF signal from the low-pass filter passes through the first-level band-pass filter, to remove out-of-band interference signal and to send wanted band-pass signal to the low-noise amplifier (Q6002). The amplified signal goes to the second-level band-pass filter, to remove out-of-band interference signal generated during amplification, and to send wanted HF signal to the mixer (D6002). In the mixer, the wanted signal and the first LO signal are mixed to generate the first IF signal (44.85 MHz). Then the signal passes through a  $\pi$ -shaped attenuator and the LC, to suppress carrier other than the first IF signal, and to increase the isolation between the mixer and the IF filter. After that, the first IF signal is processed by the crystal filter (U6001), and is sent to the two-stage IF amplifier circuit (composed of Q6003 and Q6004) for amplification. Then the amplified signal goes to the IF processor AD9864 (U6002) for processing.

### 8.2.2 Receiver Back-End

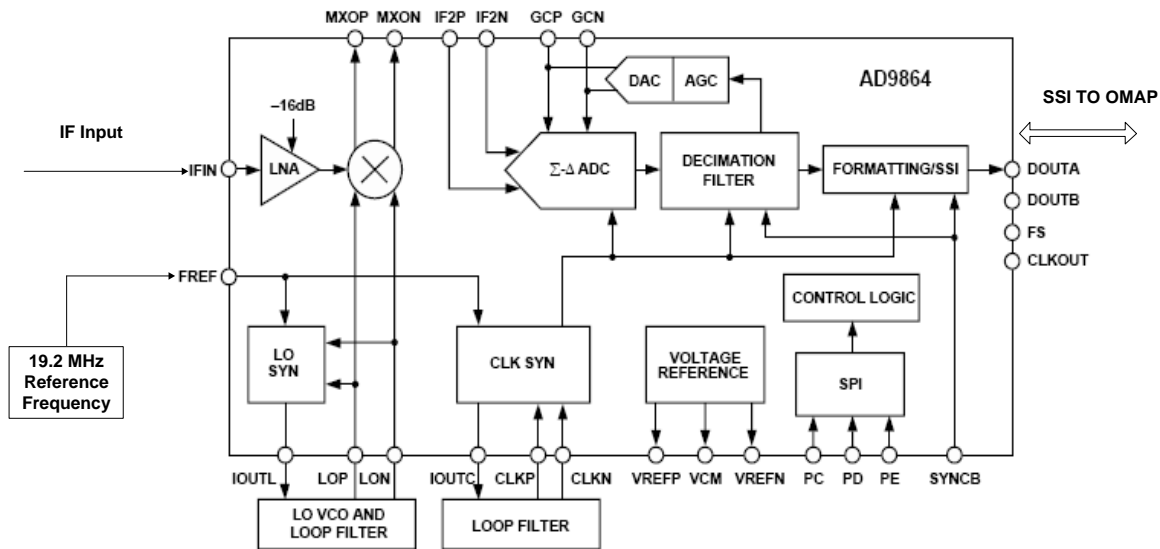


Figure 8-3 Diagram of IF Processor

The first IF signal (44.85 MHz) output by the IF amplifier goes into AD9864 (U6002) via pin 47, where the signal is converted to the second IF signal (2.25 MHz). Then the signal is converted to digital signal via ADC sampling, and output via the SSI interface. Finally, the digital signal is sent to DSP (OMAP-L138) for demodulation. AD9864 employs reference frequency of 19.2 MHz and shares the crystal with the OMAP. The second LO VCO is composed of an oscillator, a varactor diode and some other components, to provide the 47.1/42.6 MHz LO signal. The 18 MHz clock frequency is generated by the LC resonance loop.

### 8.3 FGU

The Frequency Generation Unit (FGU) comprises VCO and PLL. It is the core module of the whole TX-RX system. This circuit provides accurate carrier frequency during transmission, and stable LO signal during reception. It has a direct influence on the performance of the system.

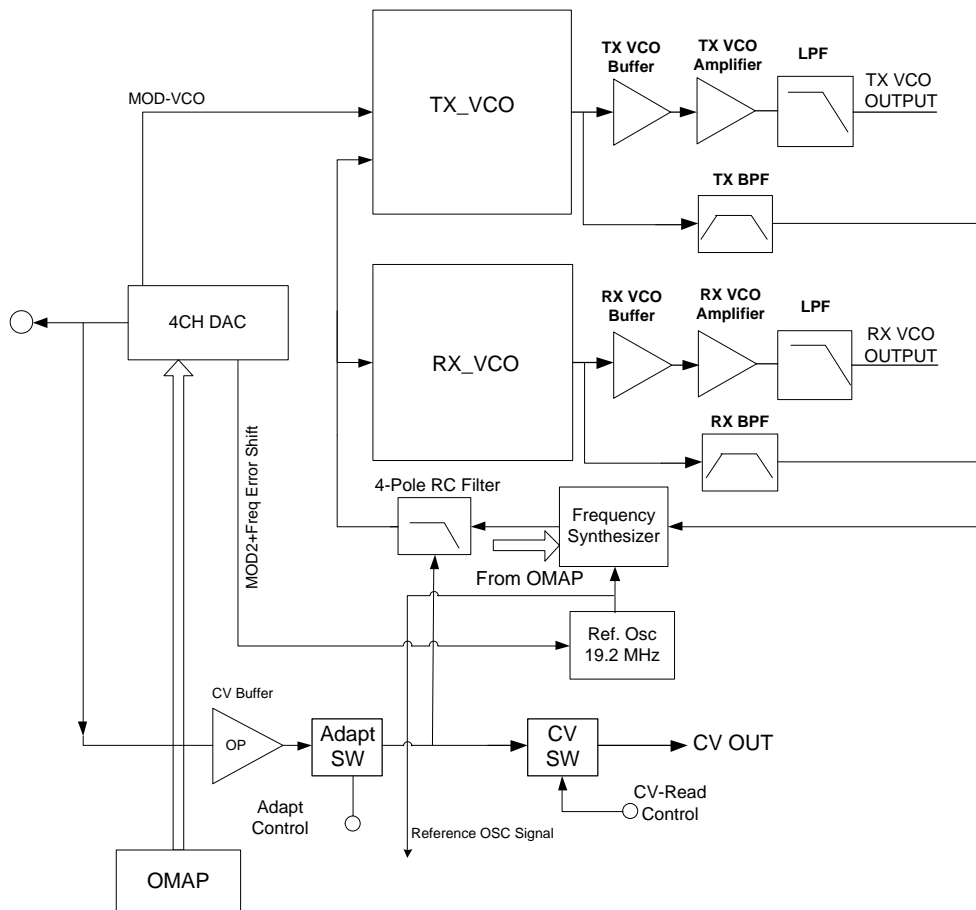


Figure 8-4 Diagram of FGU

#### 8.3.1 Working Principle of PLL

The 19.2 MHz frequency generated by the reference crystal oscillator goes to PLL for division, generating the reference frequency (i.e. step frequency  $f_1$ ). Meanwhile, the frequency generated by VCO generates another frequency ( $f_2$ ) through the frequency divider in PLL. Then frequencies  $f_1$  and  $f_2$  are compared in the phase detector (PD), to generate continuous pulse current. The current goes to the loop filter for RC integration, and is then converted to CV voltage. Then the CV voltage is sent to the varactor diode of VCO. It adjusts the output frequency of VCO directly until the CV voltage becomes constant. Then the PLL is locked, and the stable frequency output by VCO goes to the TX-RX channel after passing through two buffer amplifiers.

### 8.3.2 Working Principle of VCO

VCO employs Colpitts oscillator circuit (the RX oscillator circuit comprises D6014, D6015, D6016, D6017 and L6061; the TX oscillator circuit is composed of D7001, D7002, D7004, D7005, and L7007). It obtains different output frequencies by changing the varactor diode's control voltage (i.e. CV voltage). There are two types of VCO: TX VCO and RX VCO. Both types control EMD22 to switch operating status via OMAP. RX VCO consists of the oscillator loop and Q6012, to provide LO signal. TX VCO is composed of the oscillator loop and Q7003, to provide carrier for TX signal.

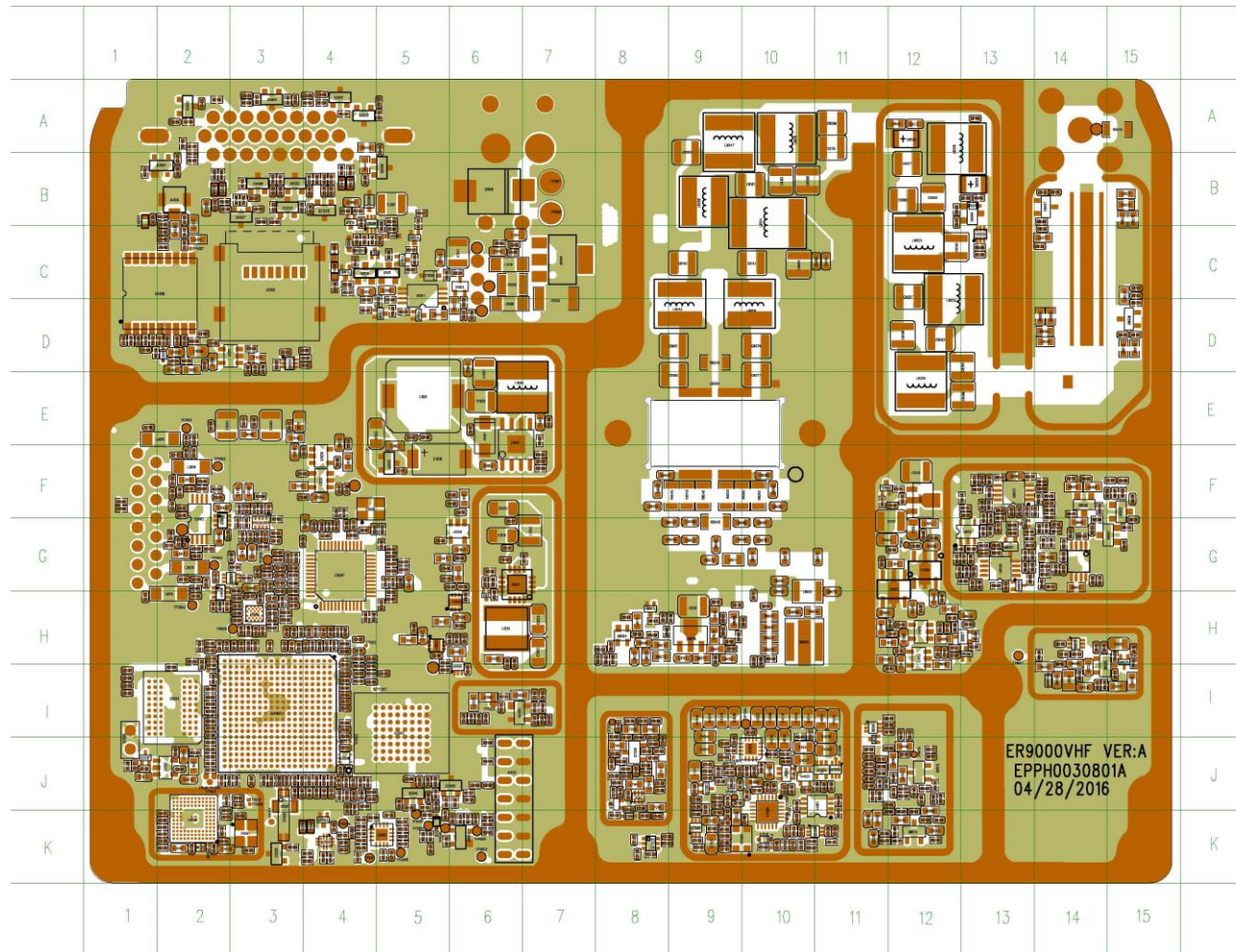
### 8.3.3 Two-Point Modulation

In TX mode, the two-point modulation technology is employed, to obtain higher modulation accuracy and lower 4FSK bit error rate. MOD-VCO and MOD-XO send the modulation signal to the modulation end of VCO and the reference oscillator of PLL respectively to modulate TX VCO and the reference crystal oscillator.

## 8.4 PCB View

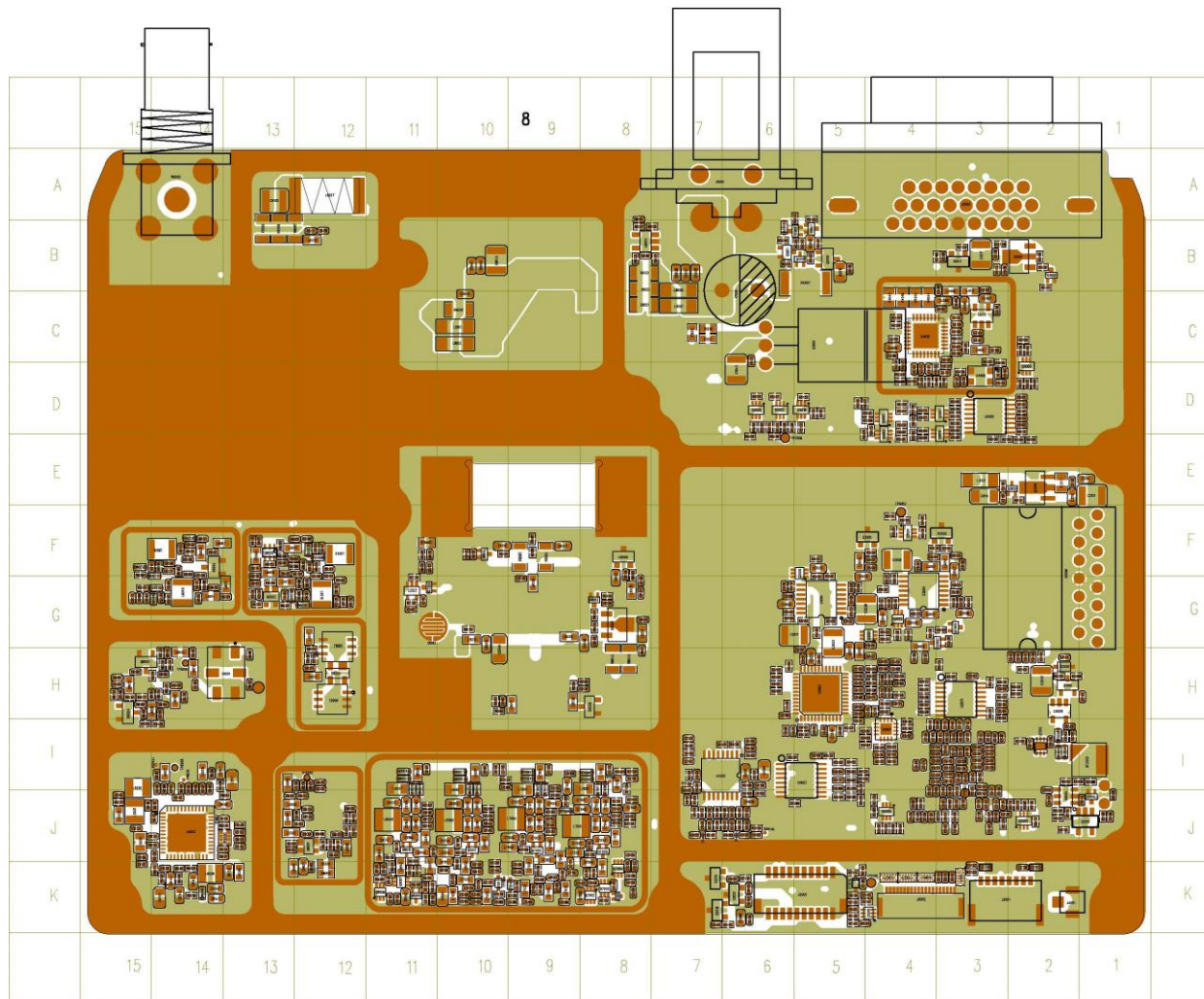
### PCB View (Main Board)

#### Top Layer

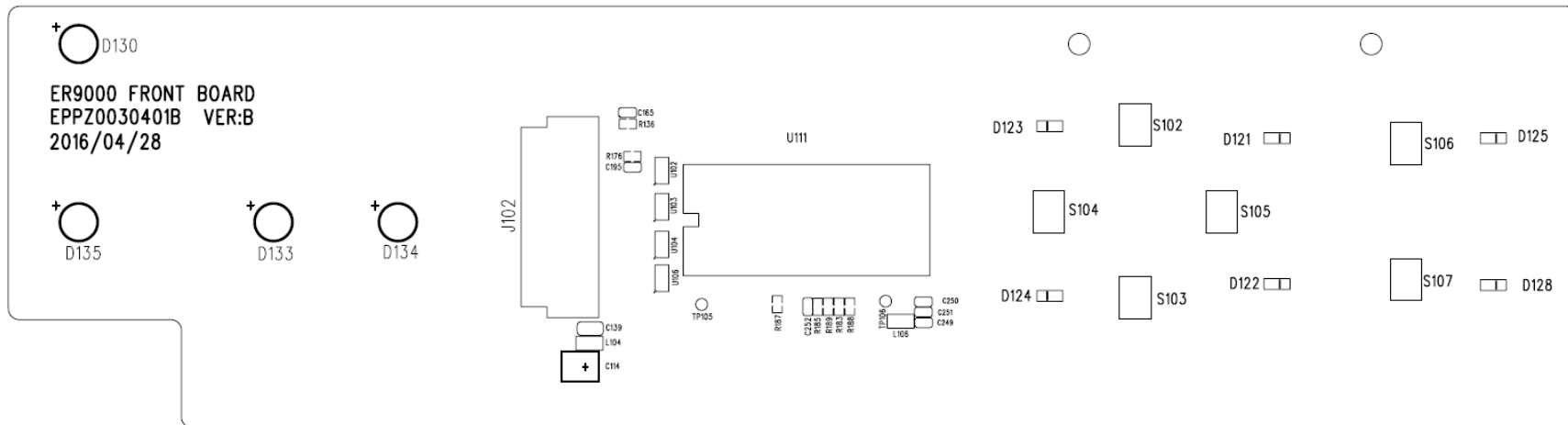




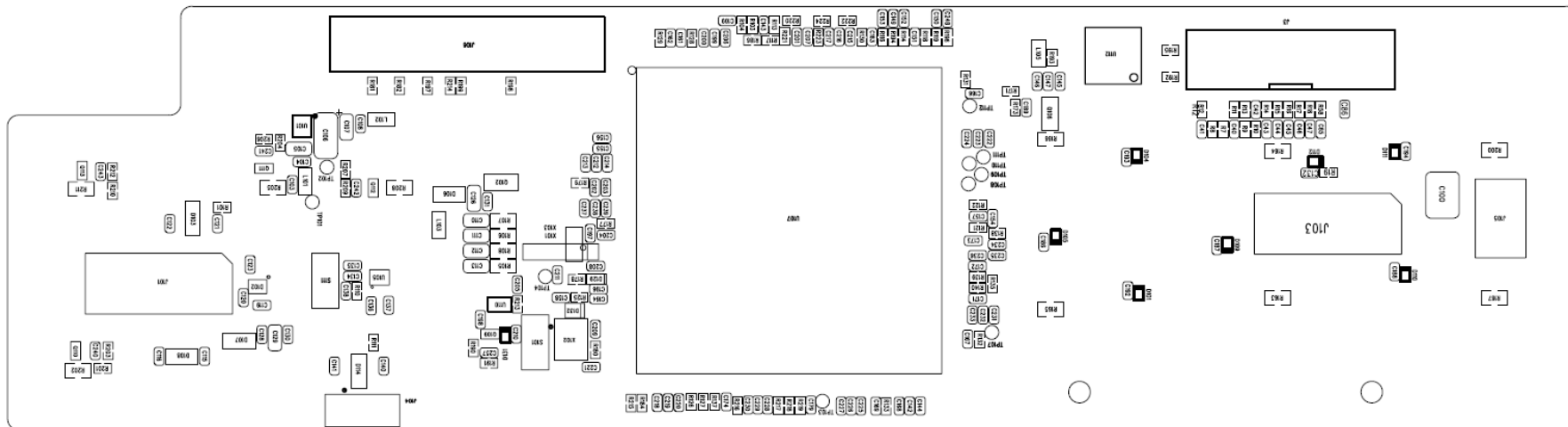
**PCB View (Main Board)  
Bottom Layer**



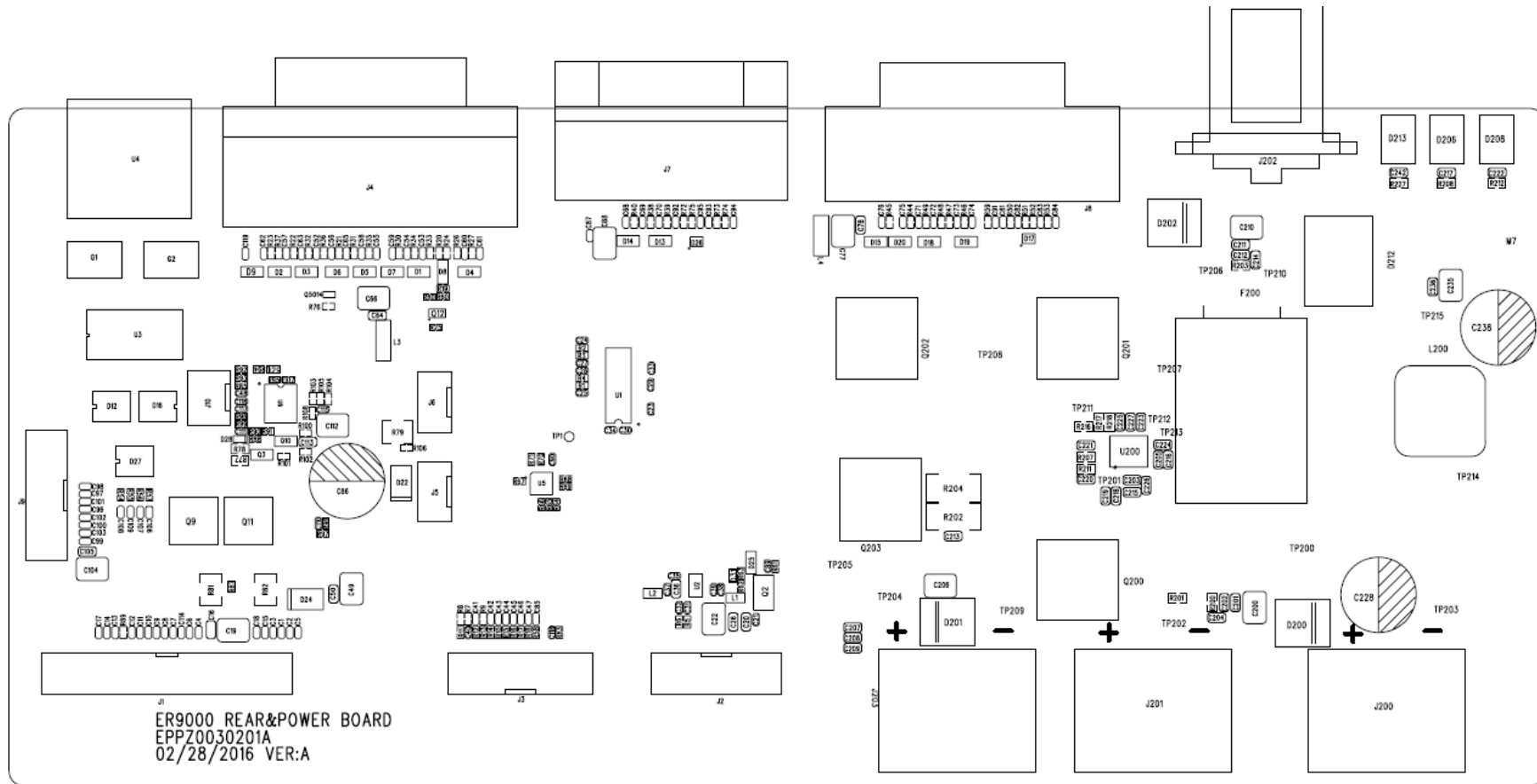
### PCB View (Control Head) Top Layer



### PCB View (Control Head) Bottom Layer



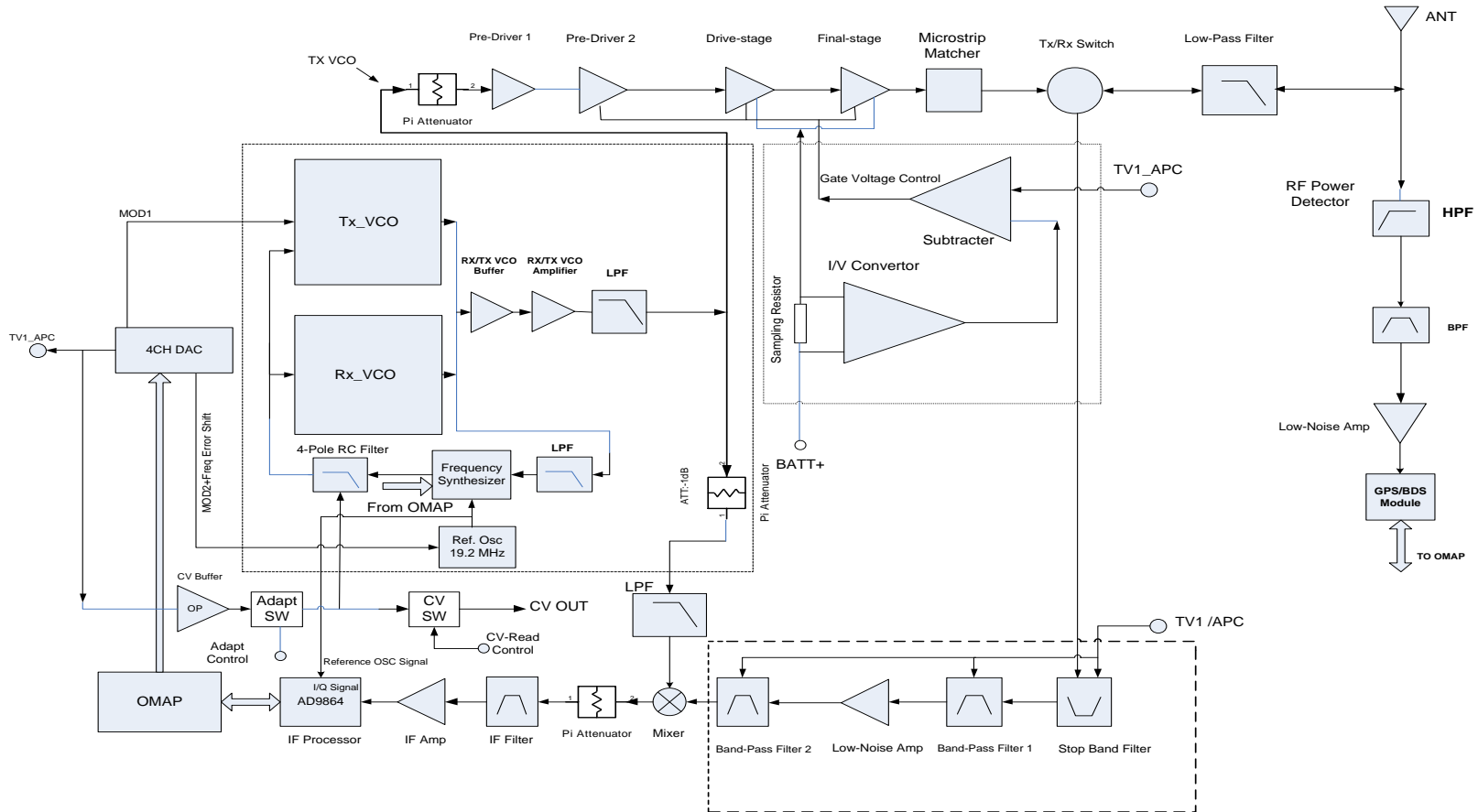
### PCB View (Rear Board) Top Layer



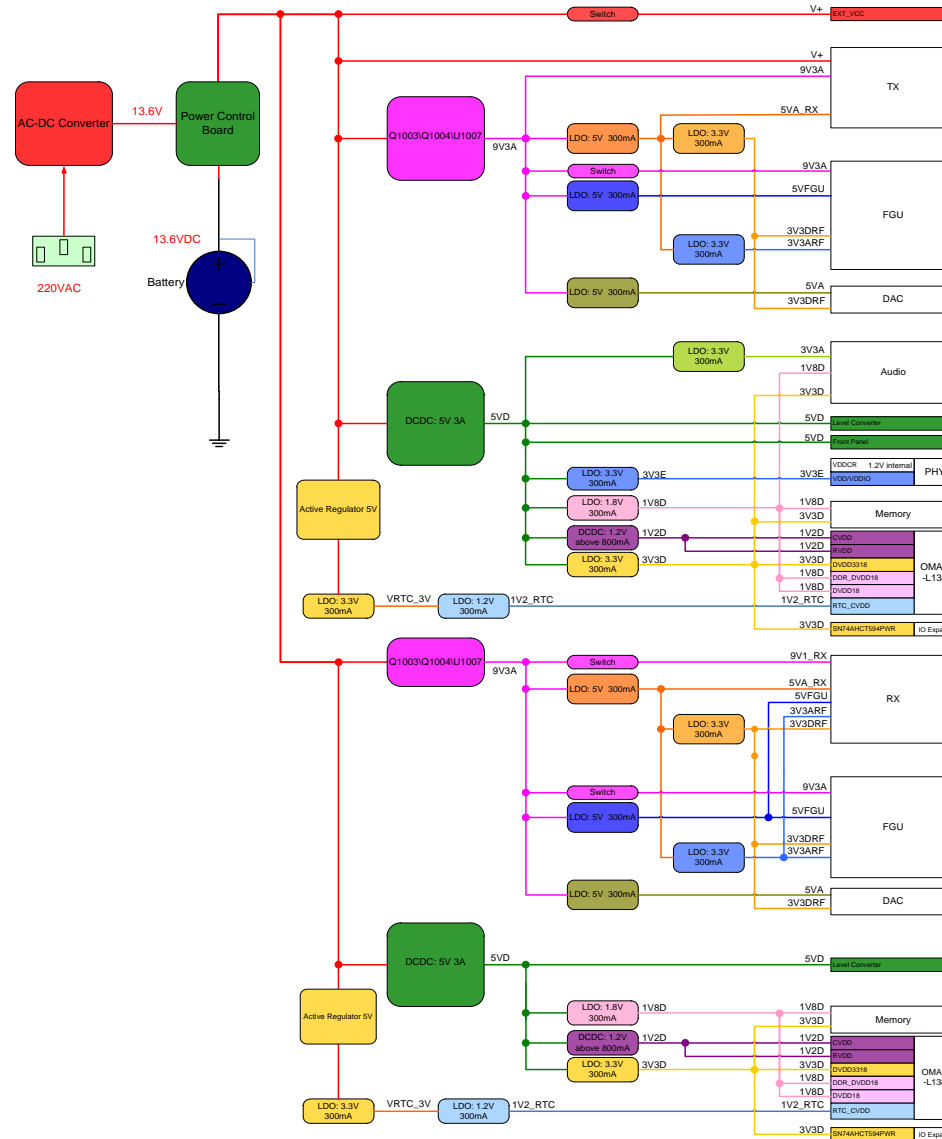


## 8.5 Block Diagram

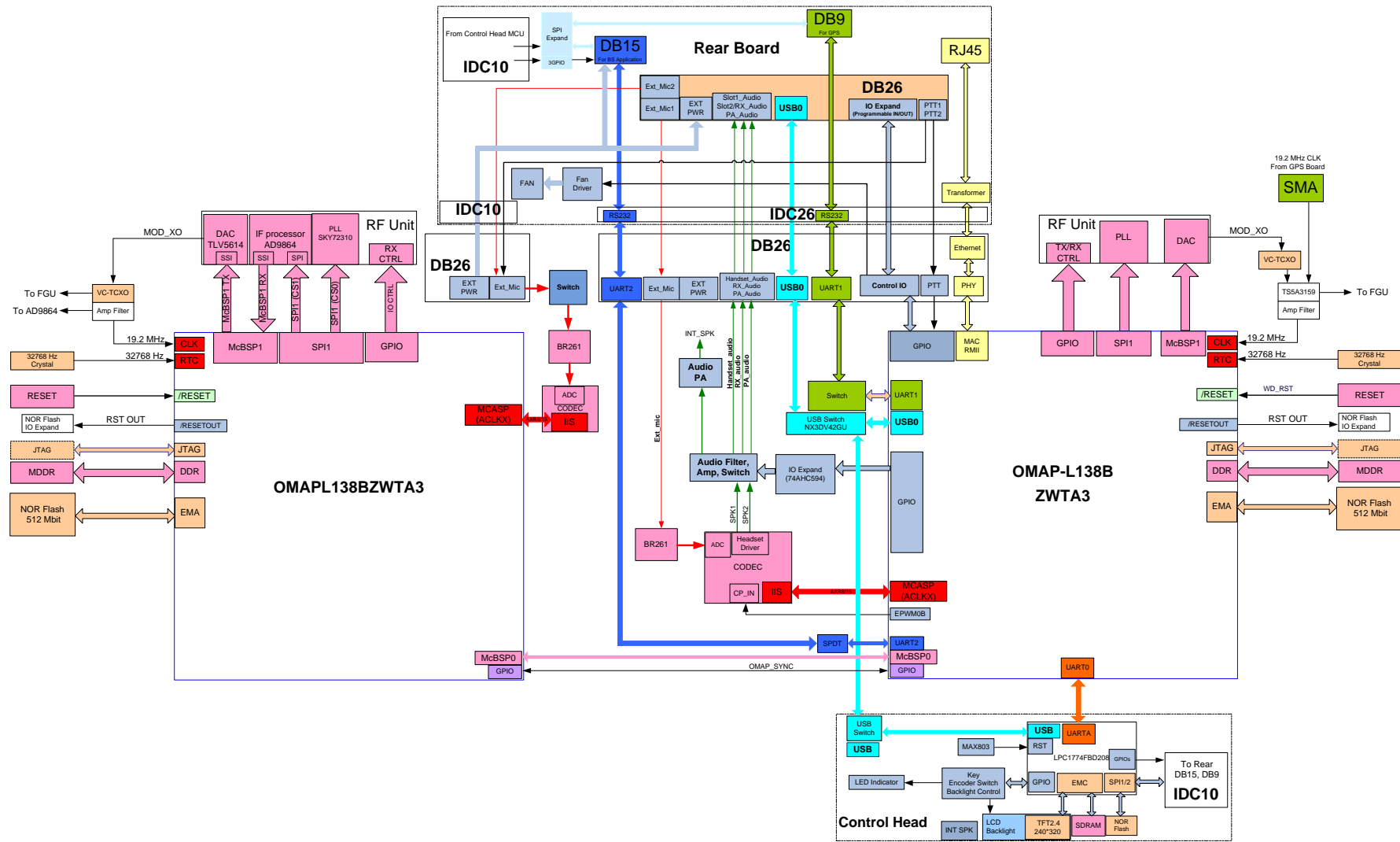
### Block Diagram (RF Section)



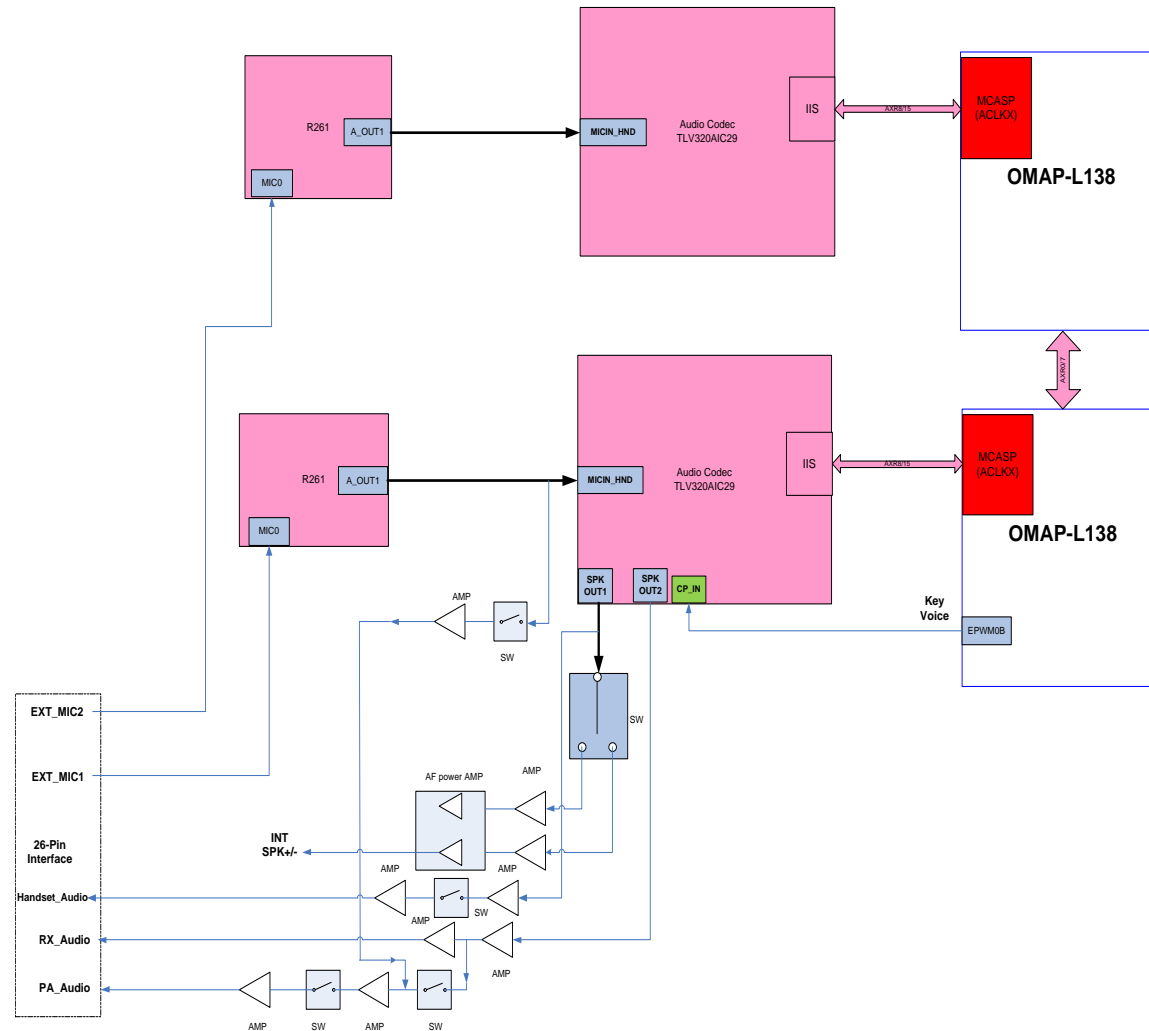
### Block Diagram (Power Section)



### Block Diagram (Baseband Section)



### Block Diagram (Audio Section)





Block Diagram (Clock Section)

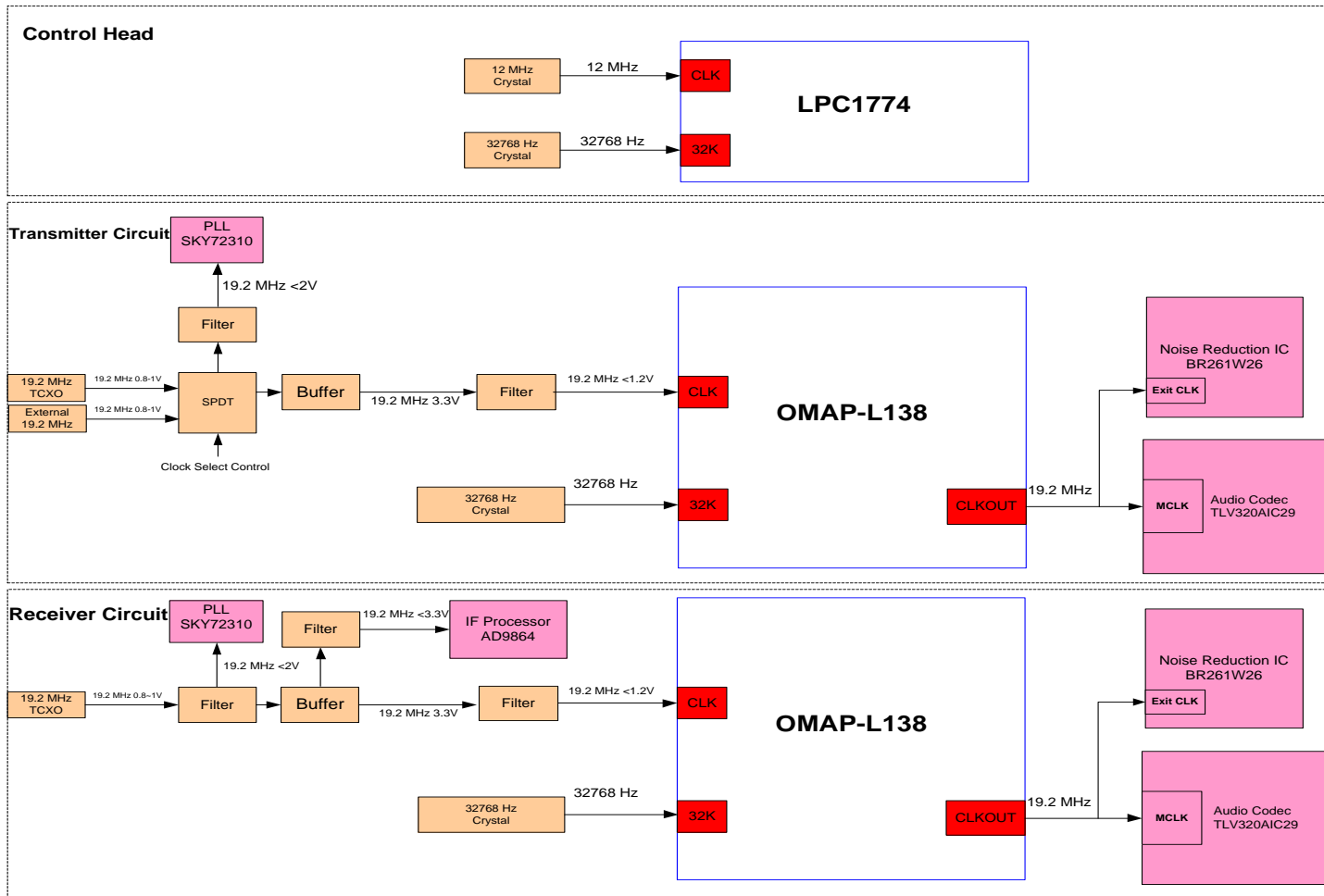
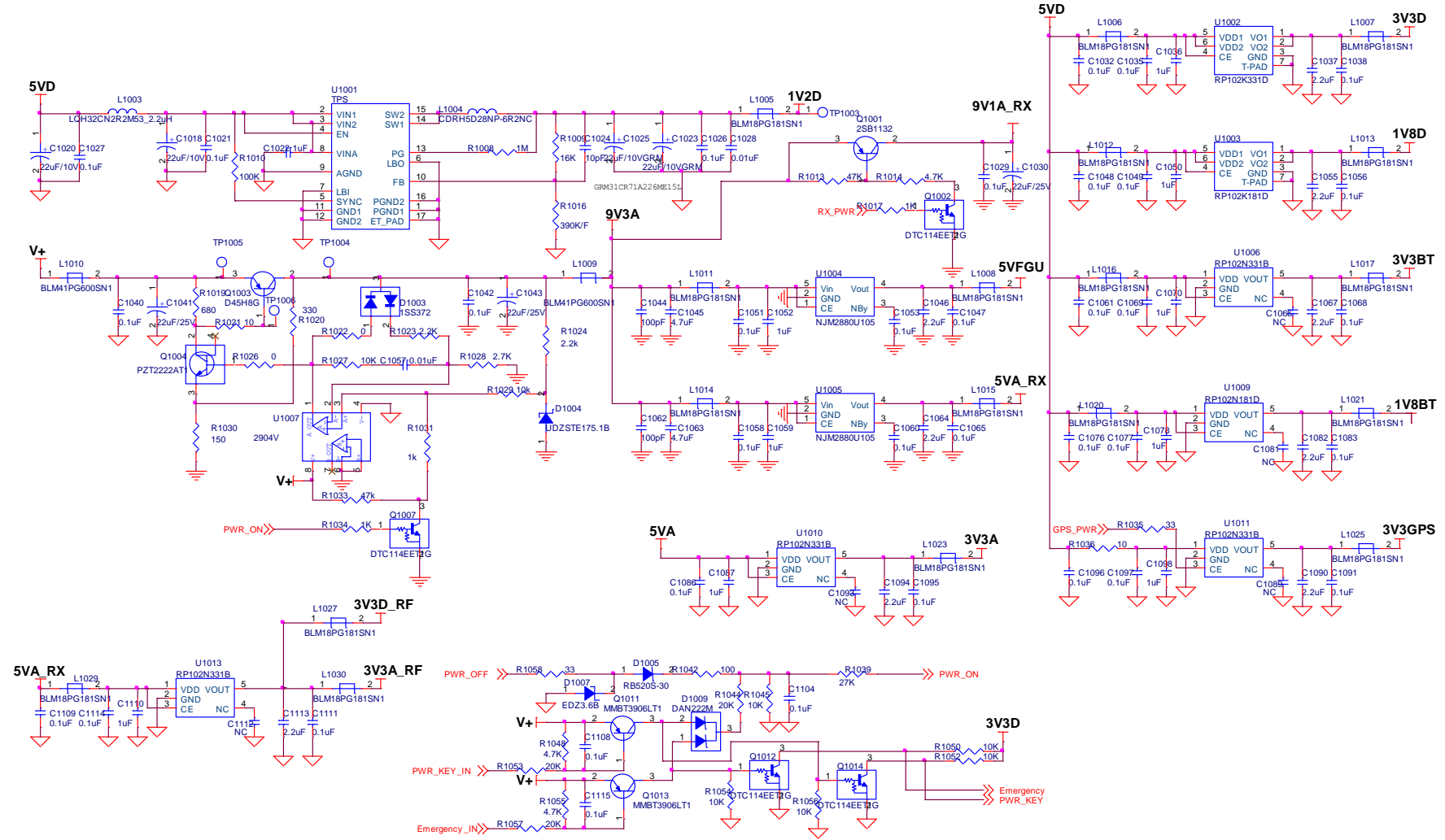


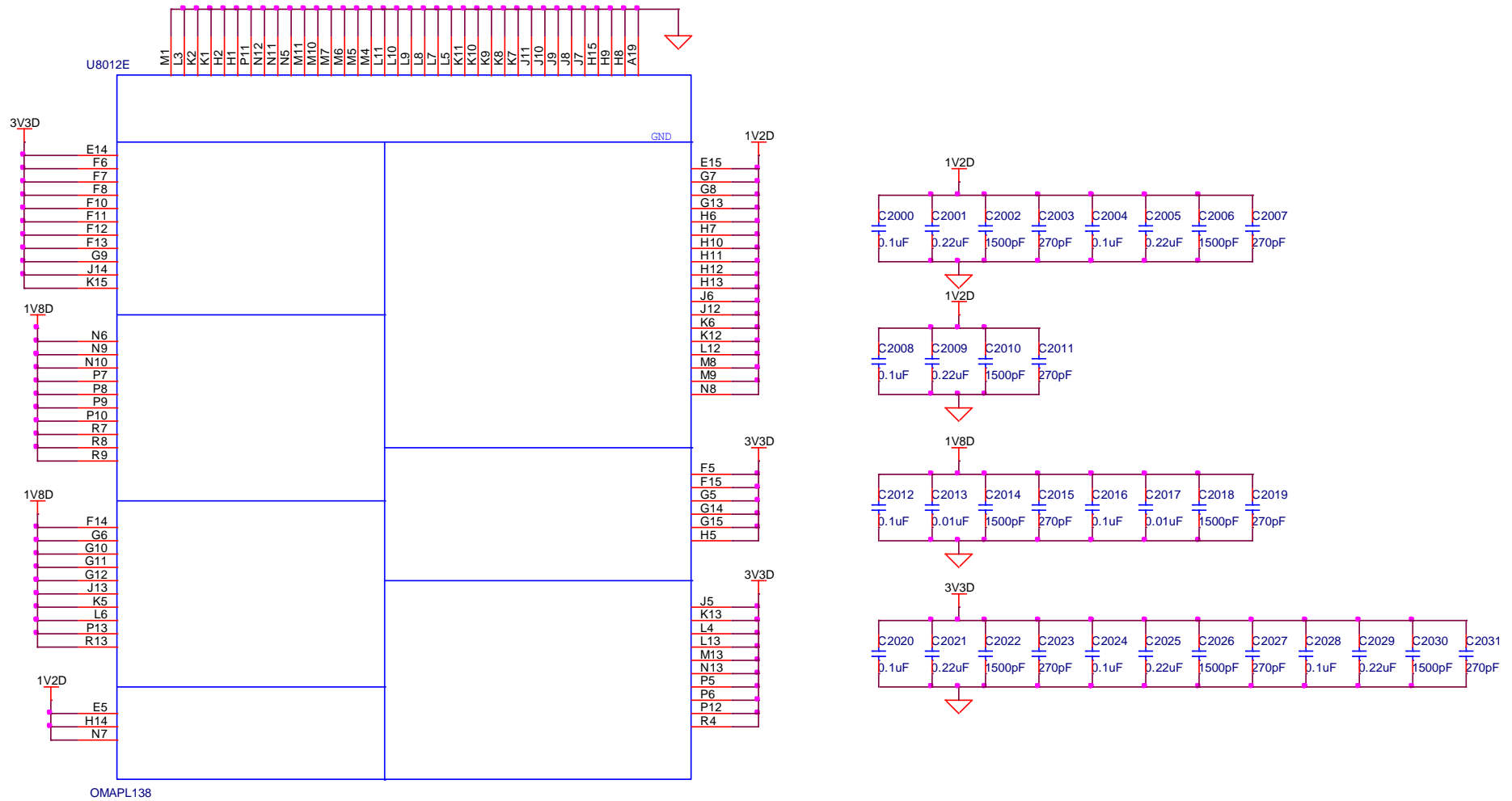
Figure 8-6 Block Diagram

# 8.6 Schematic Diagram

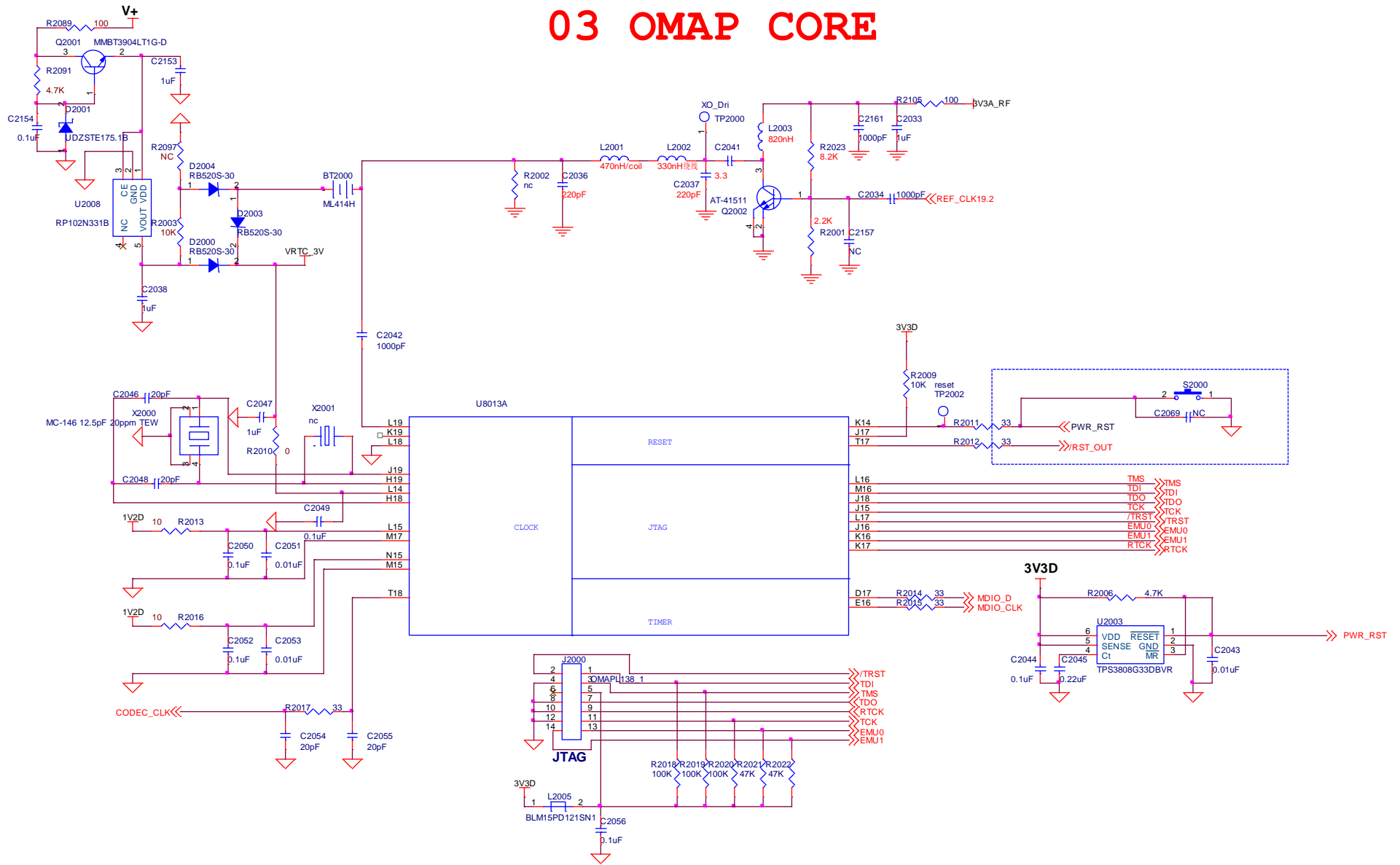
## 01 PWR



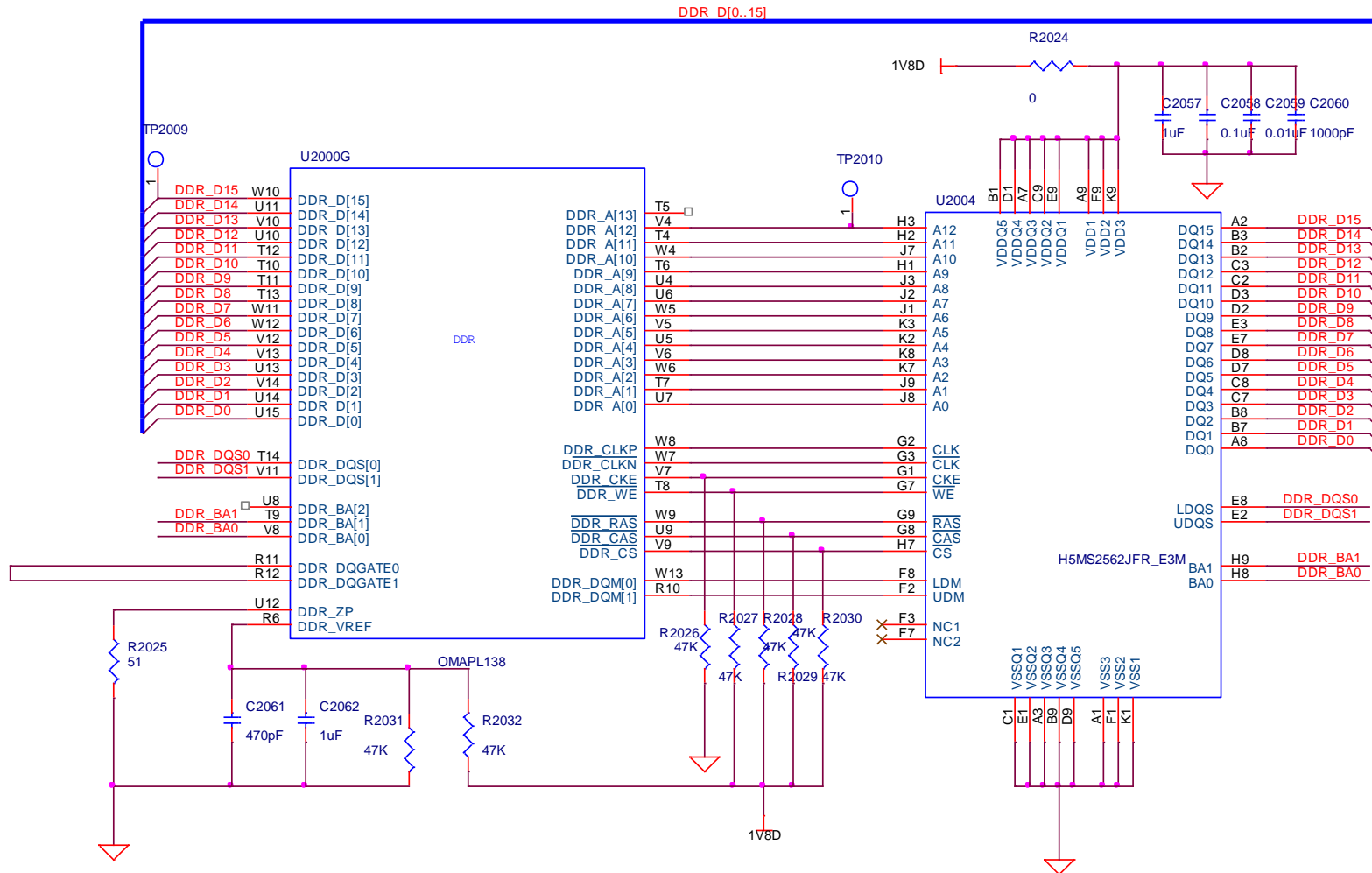
# 02 OMAP PWR



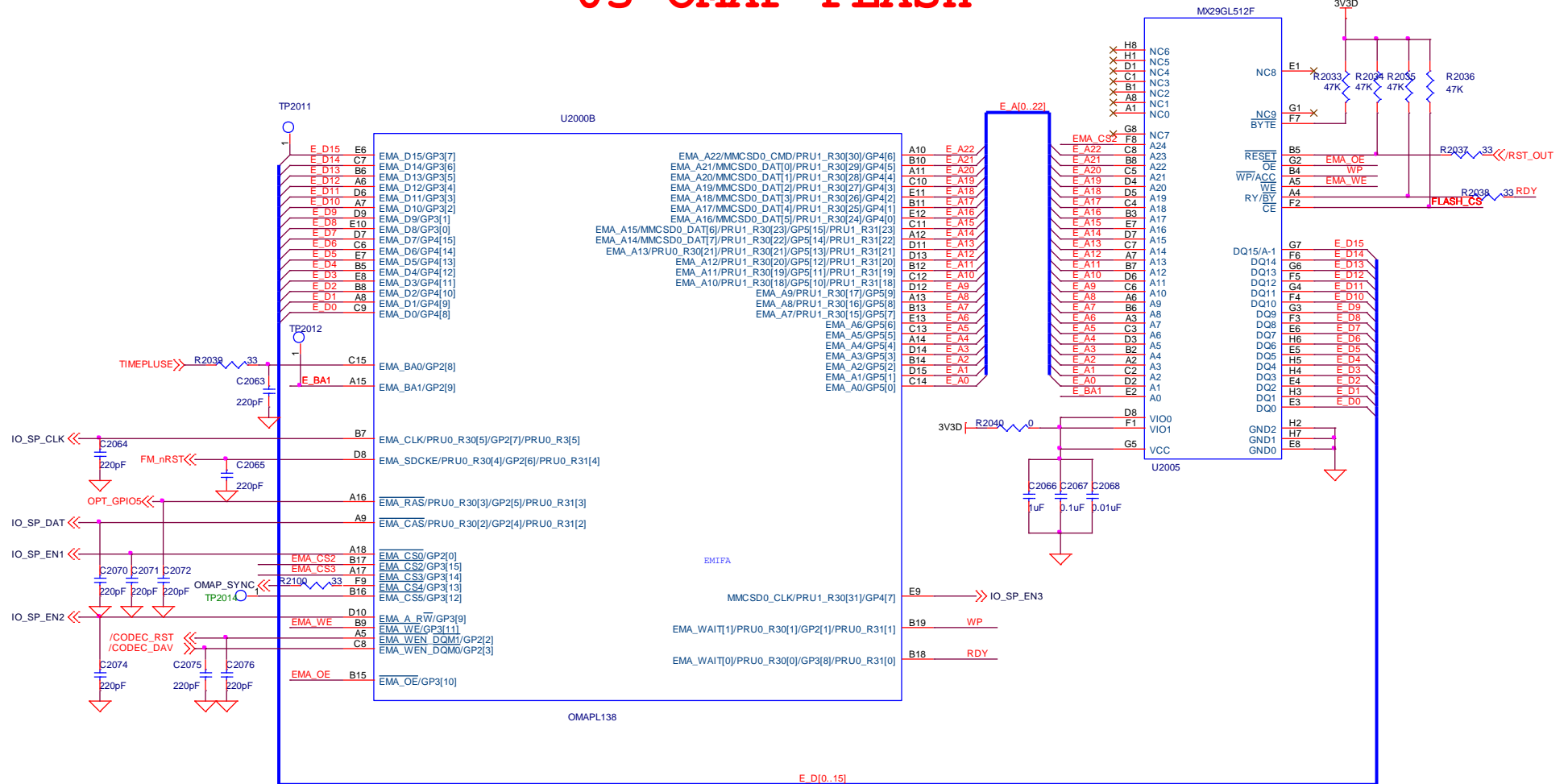
# 03 OMAP CORE



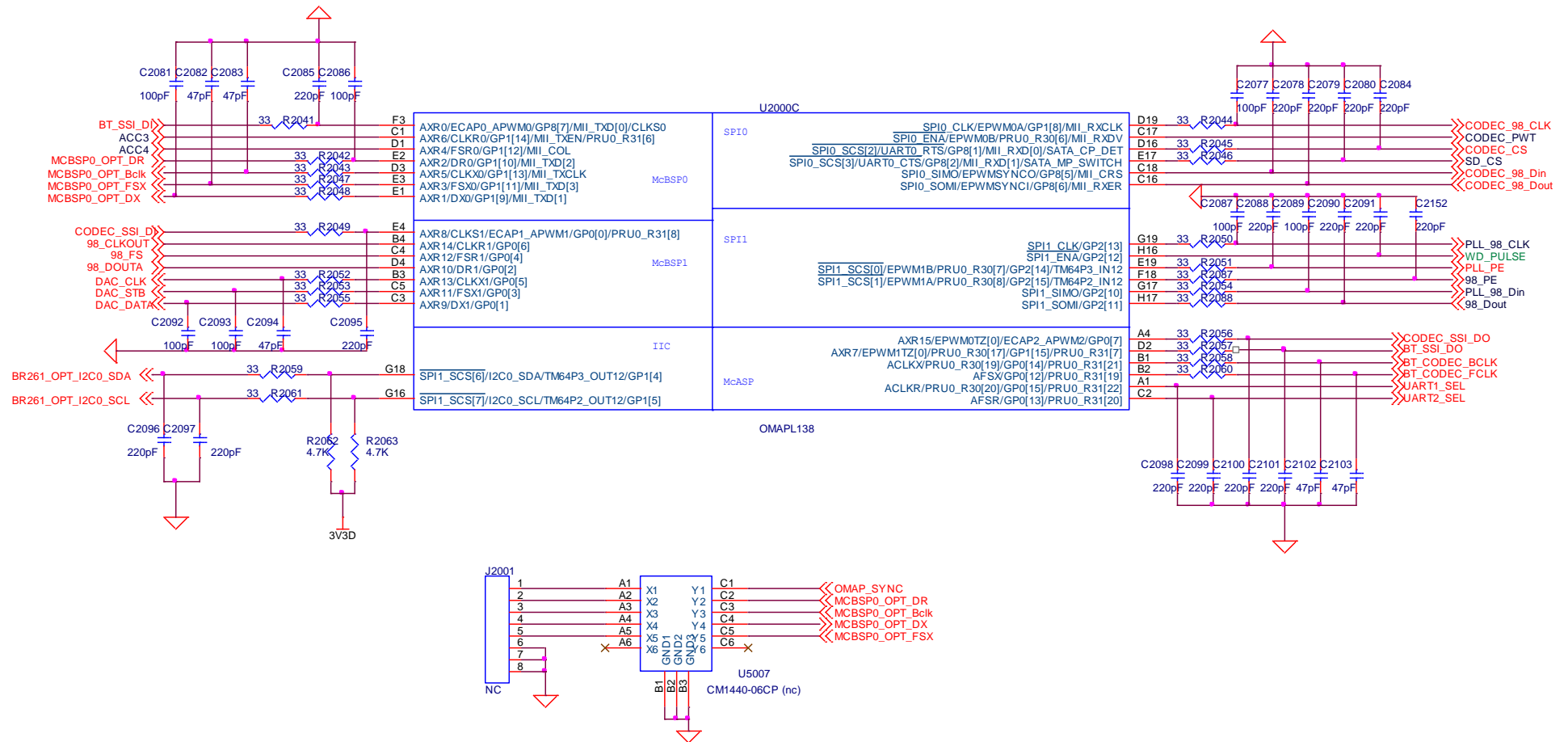
# 04 OMAP mDDR



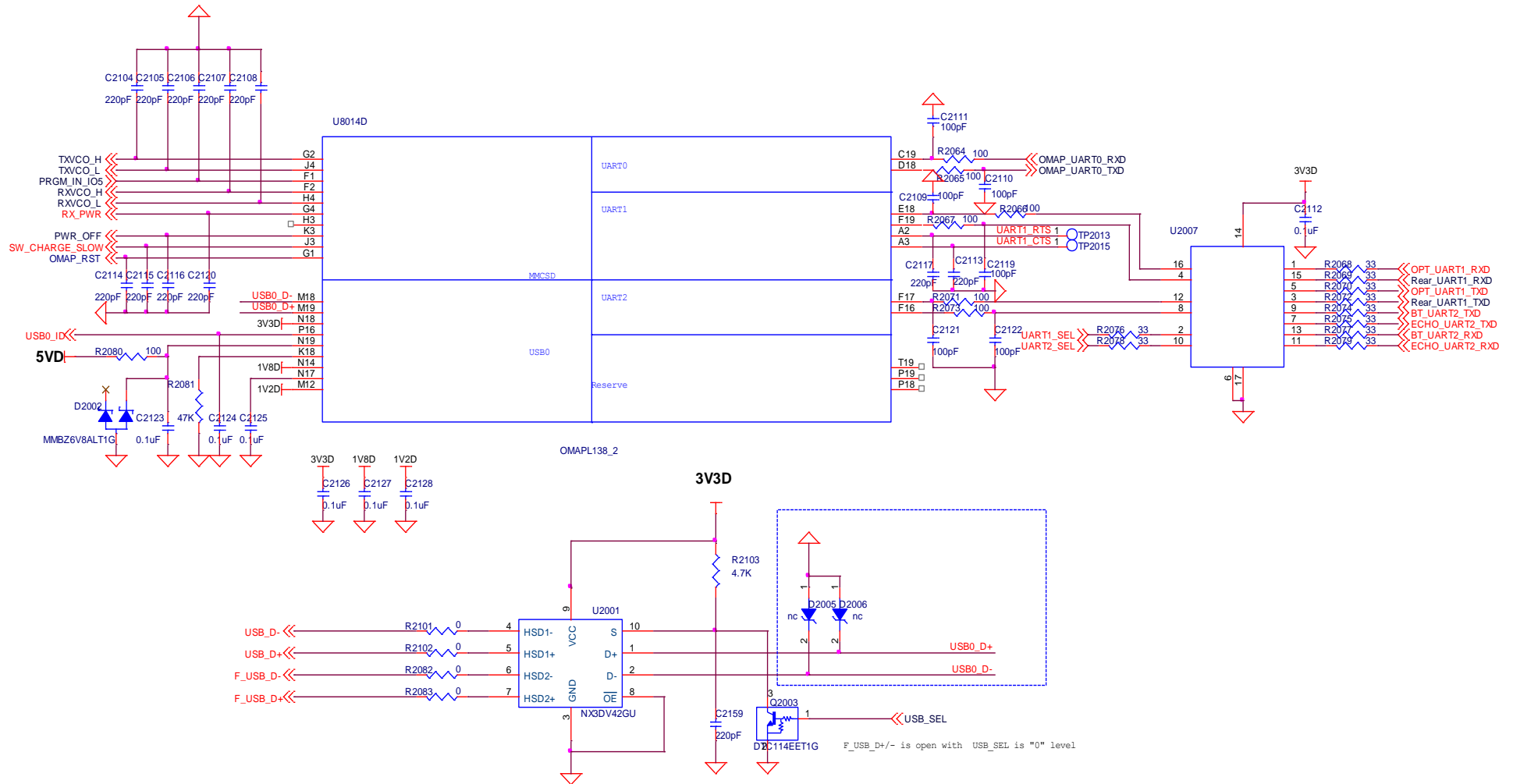
# 05 OMAP FLASH



# 06 OMAP SI

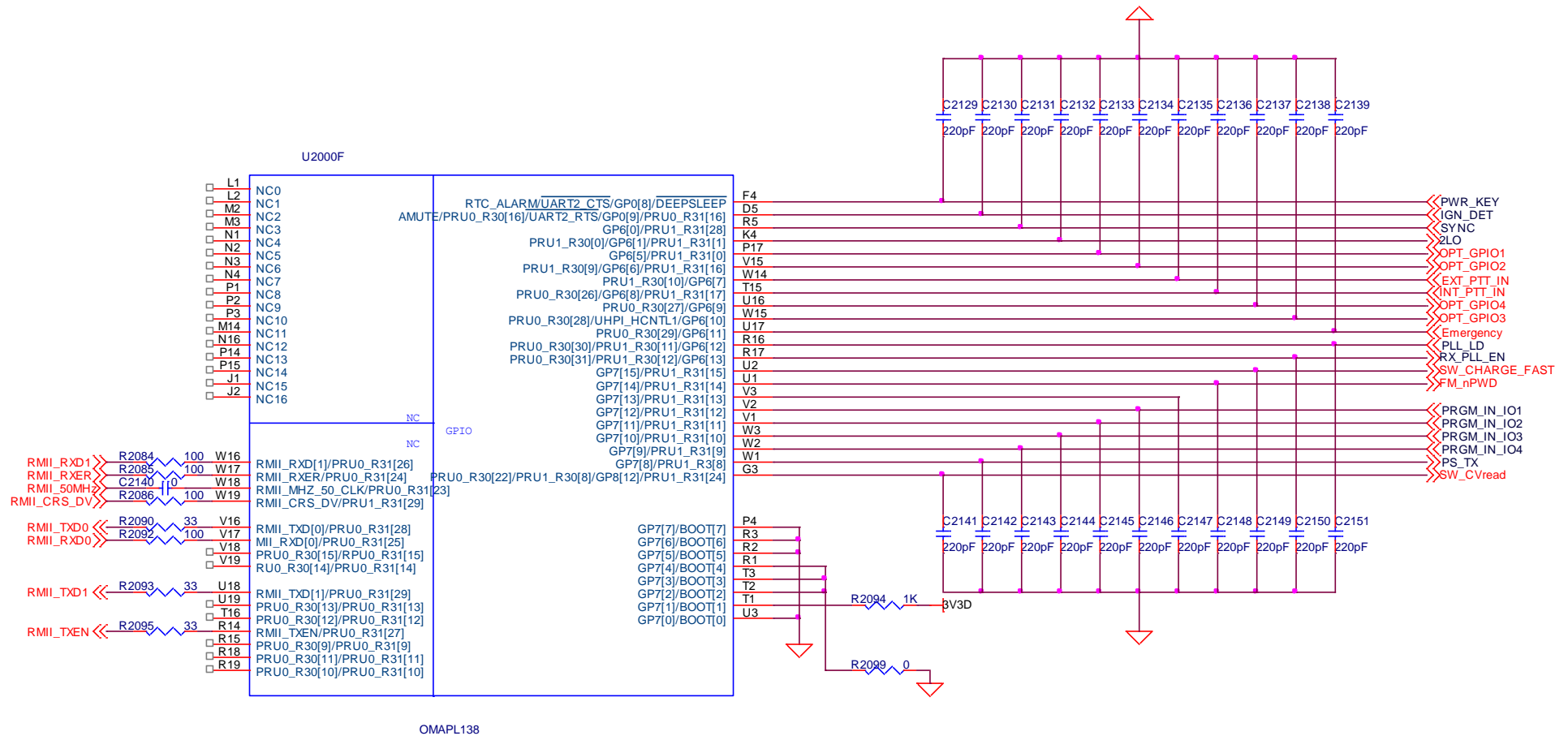


# 07 OMAP UARTS

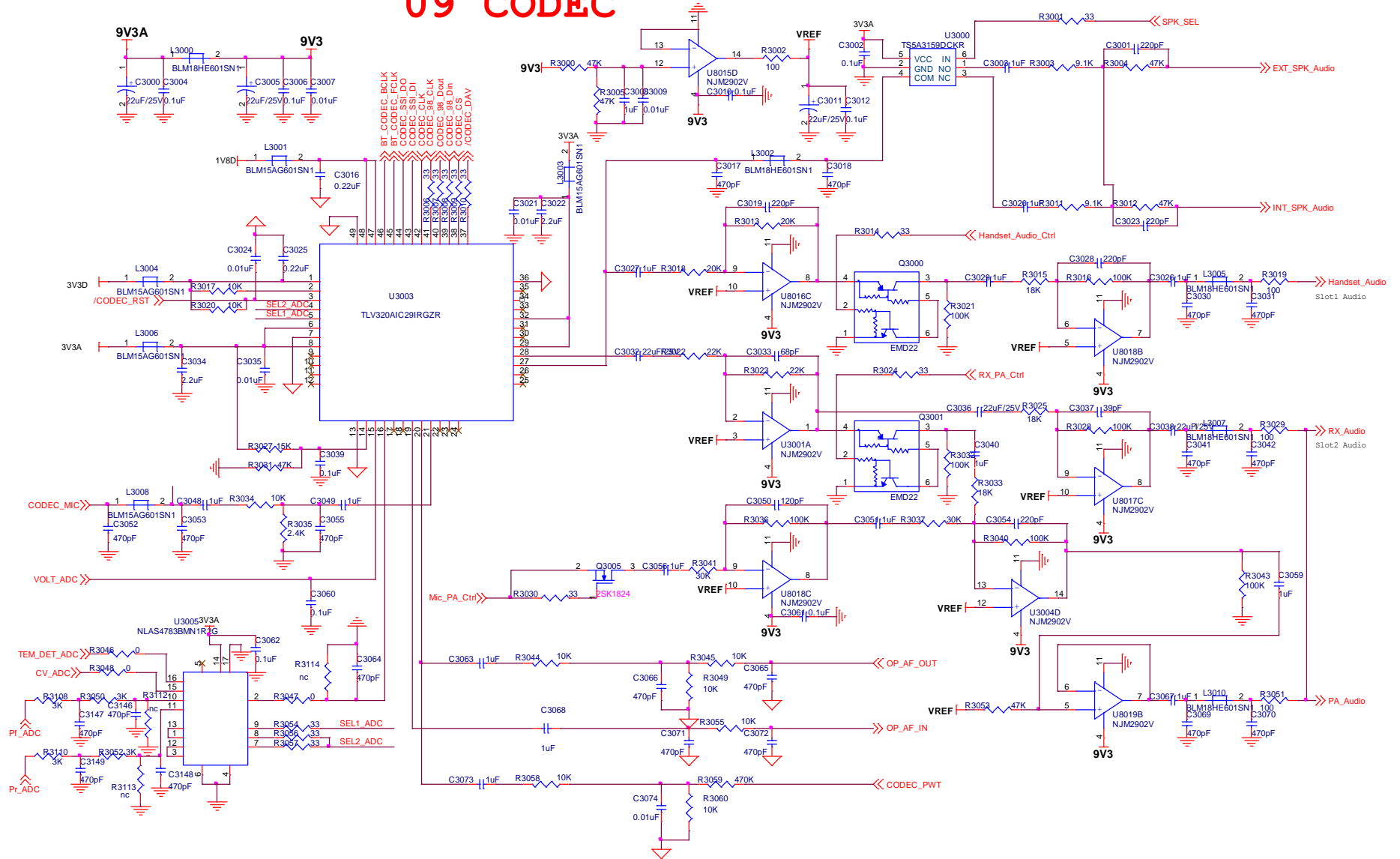




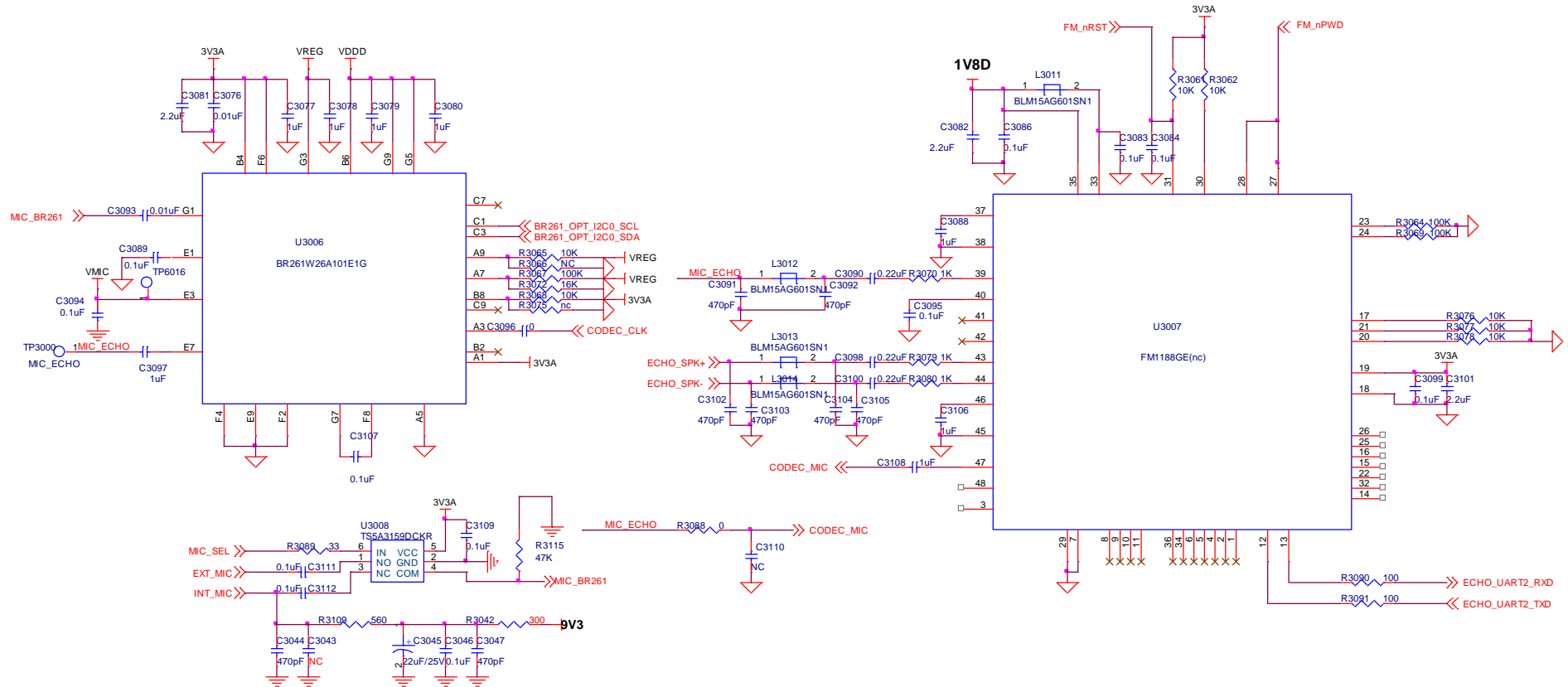
# 08 OMAP BOOT



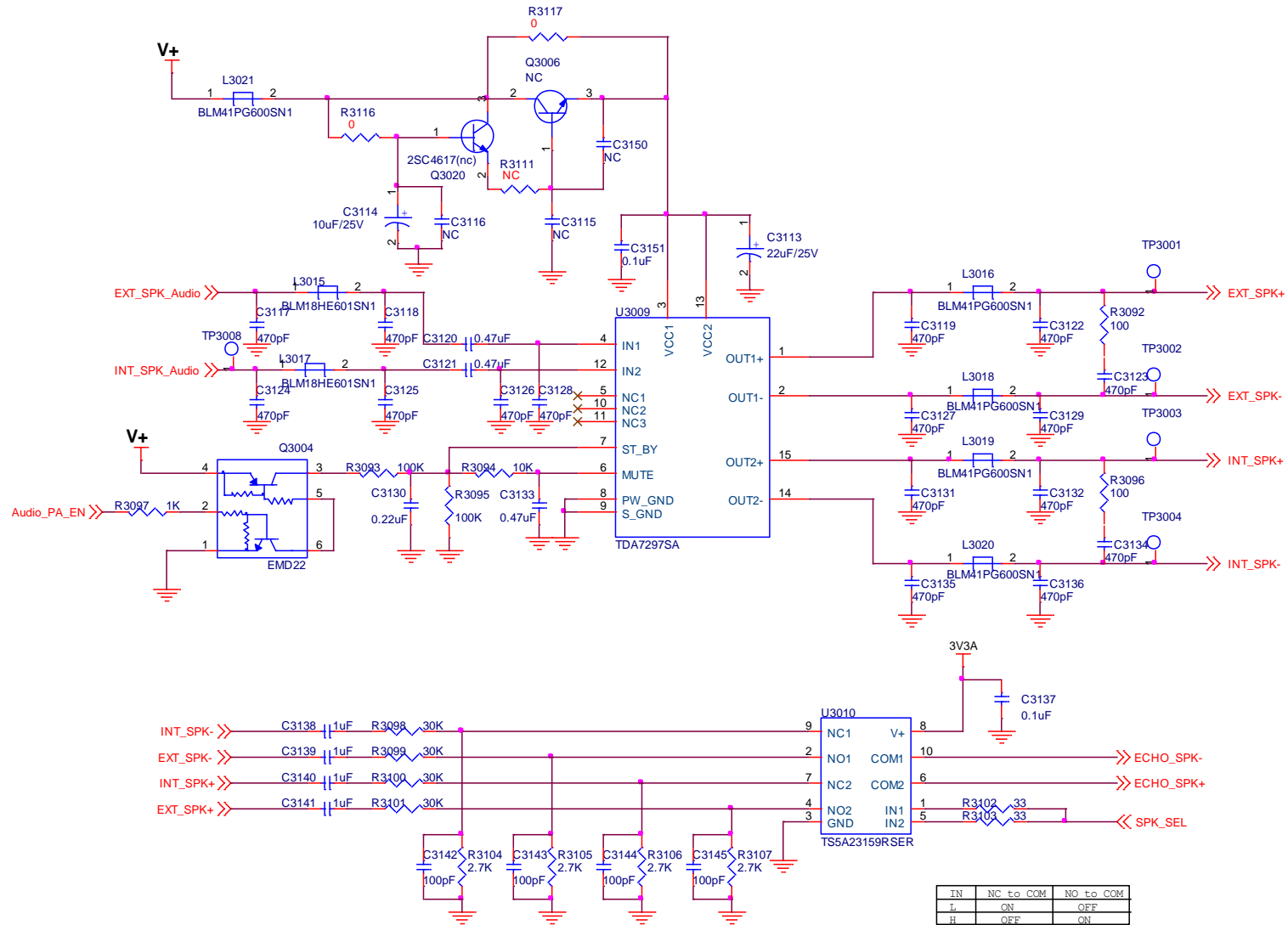
# 09 CODEC

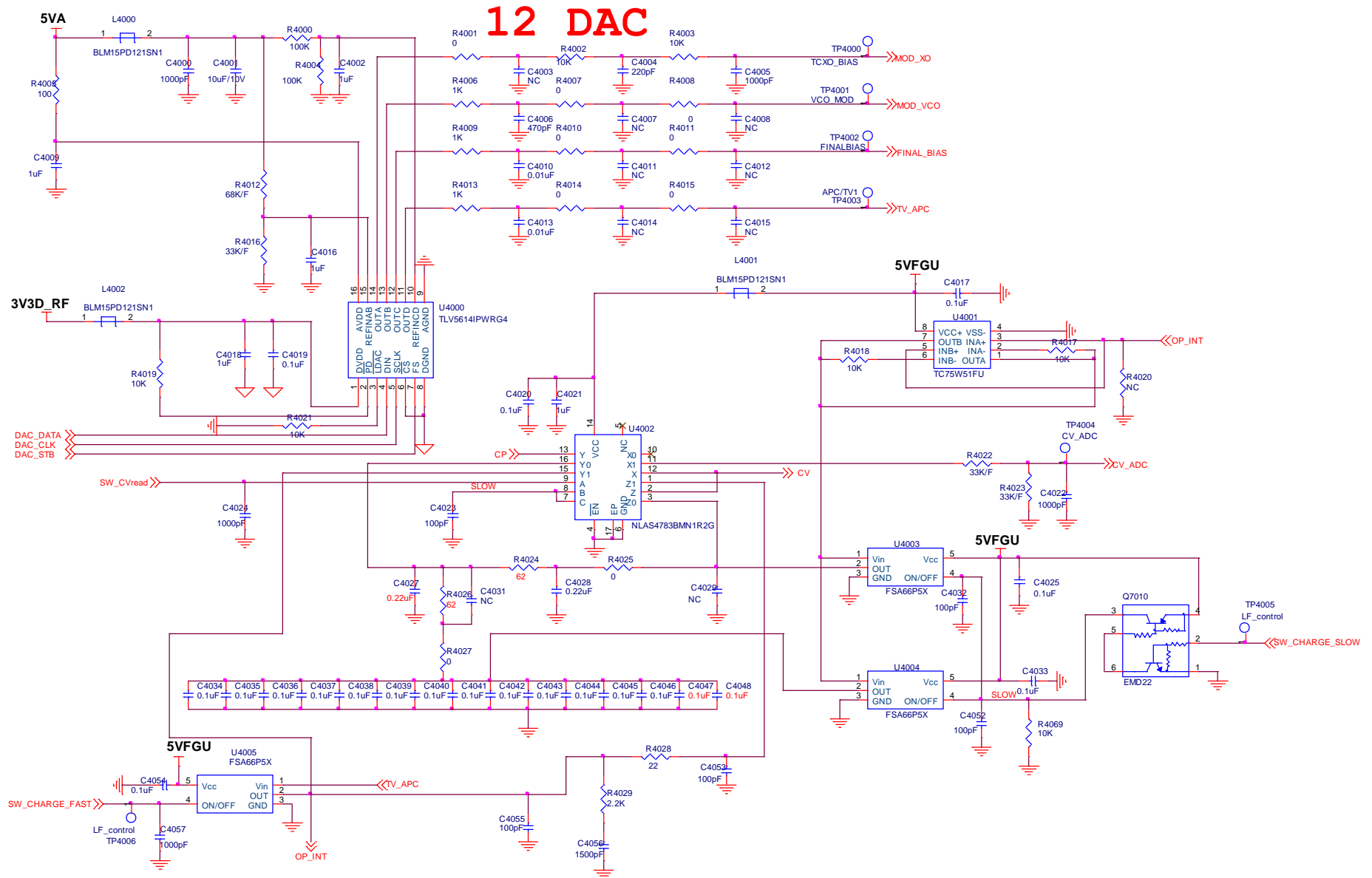


# 10 BR261 and ECHO

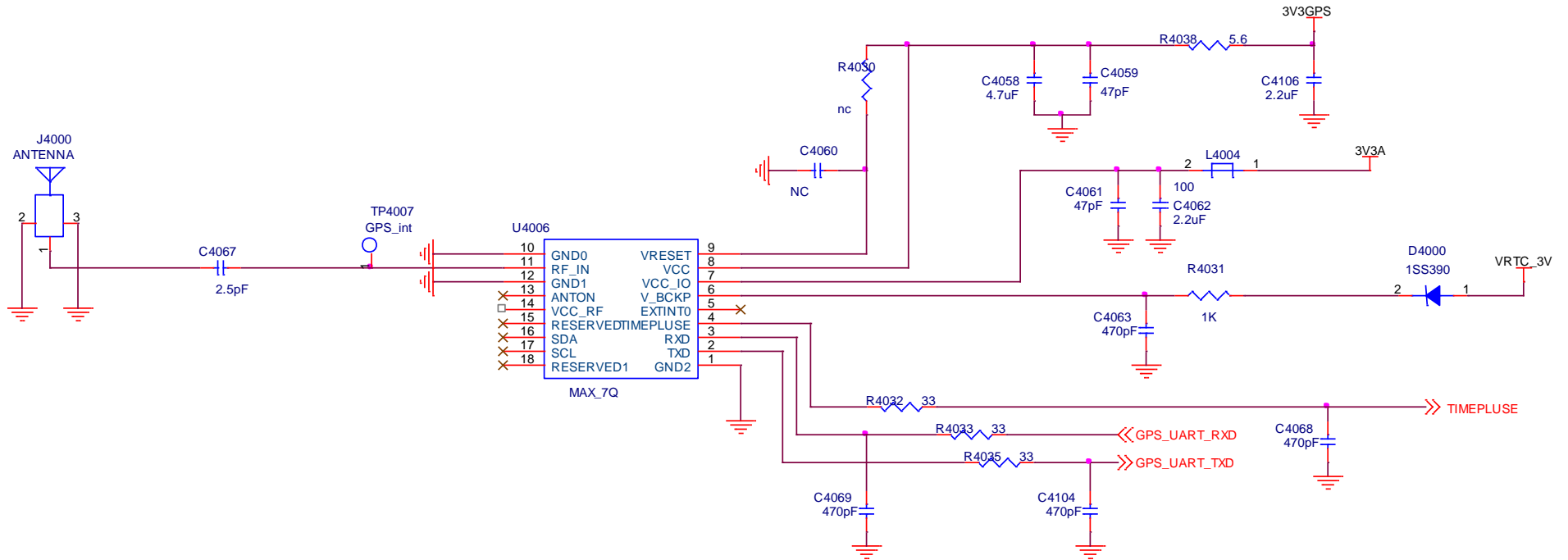


# 11 Audio PA

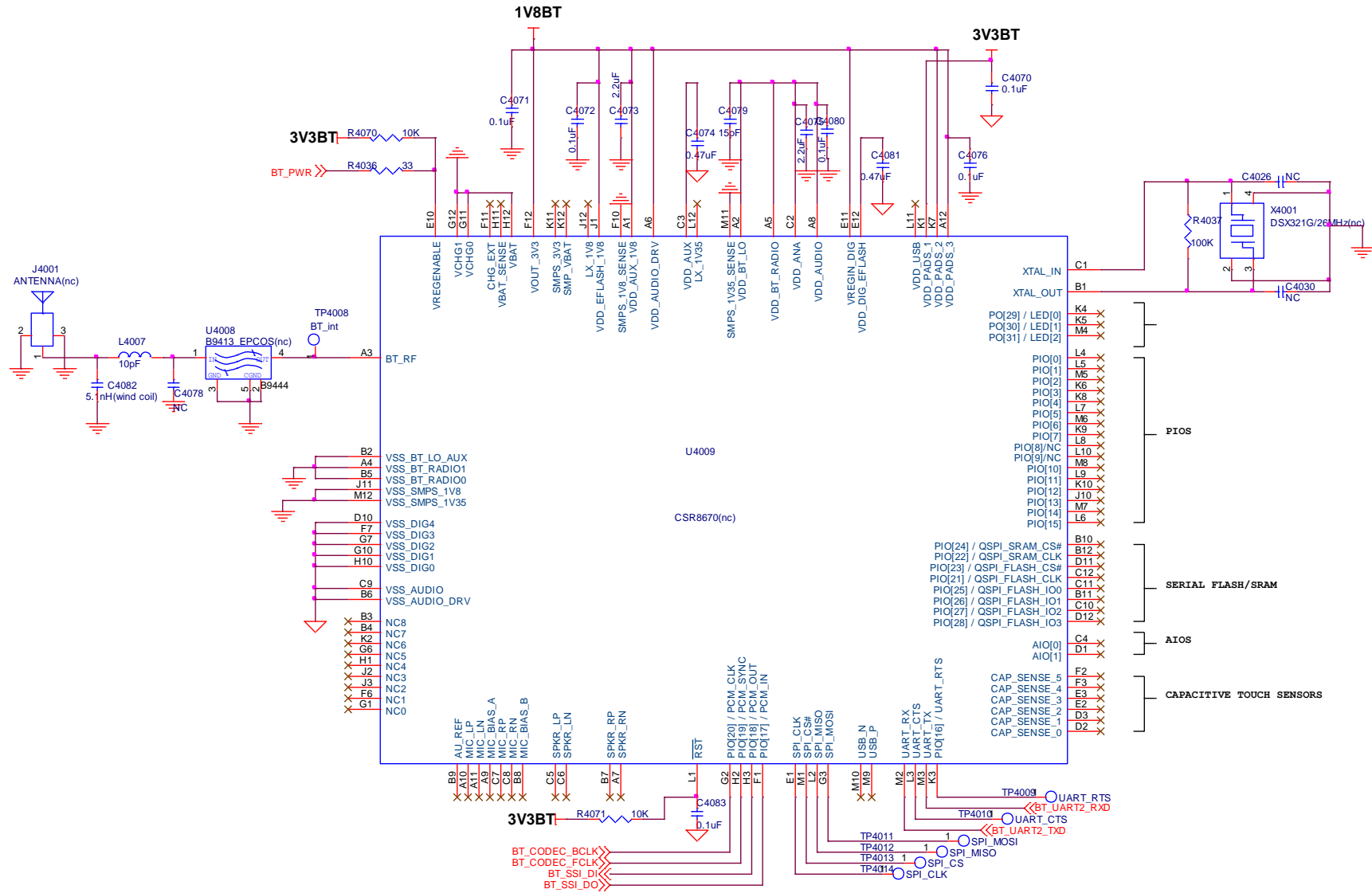




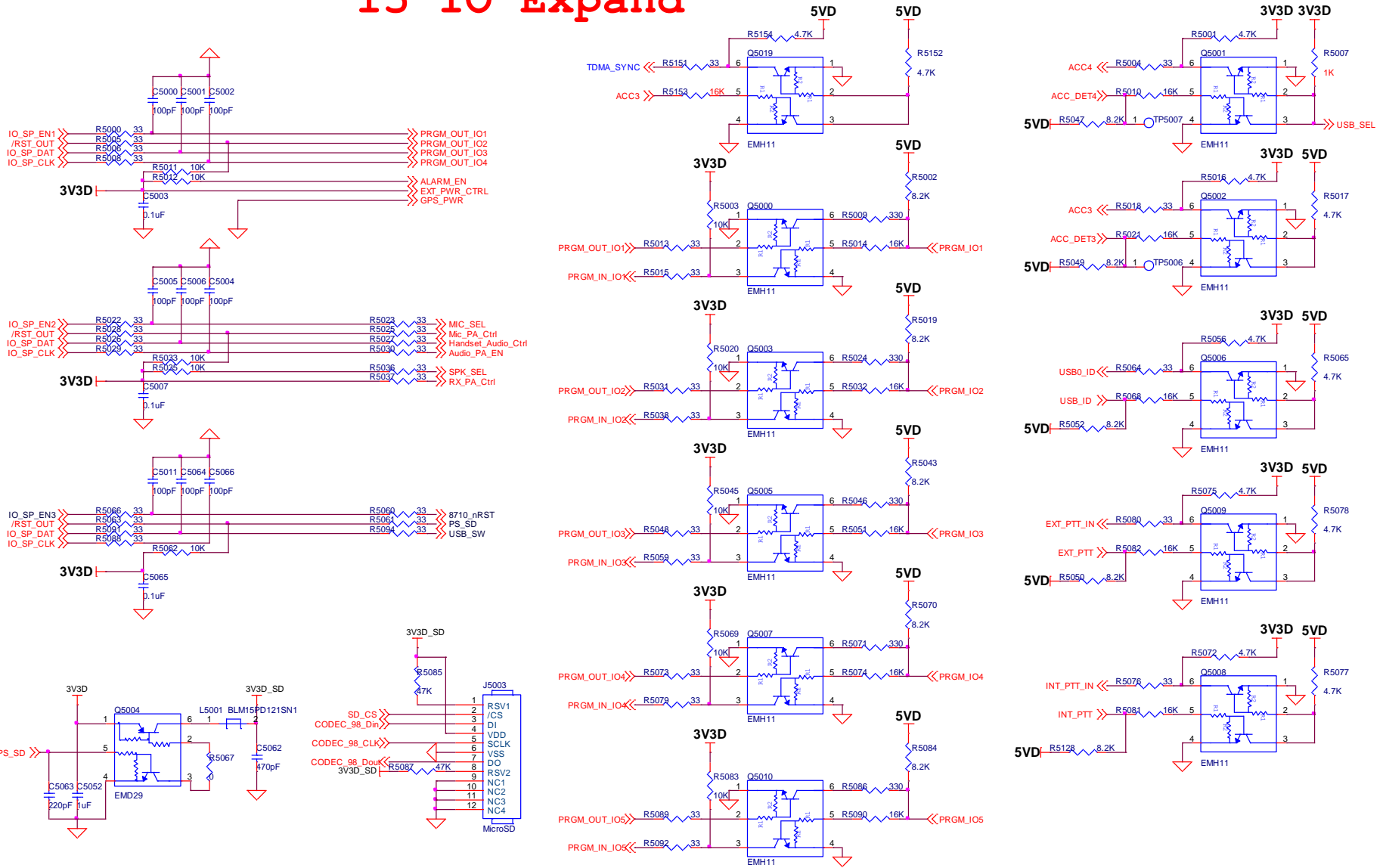
# 13 GPS



# 14 Bluetooth

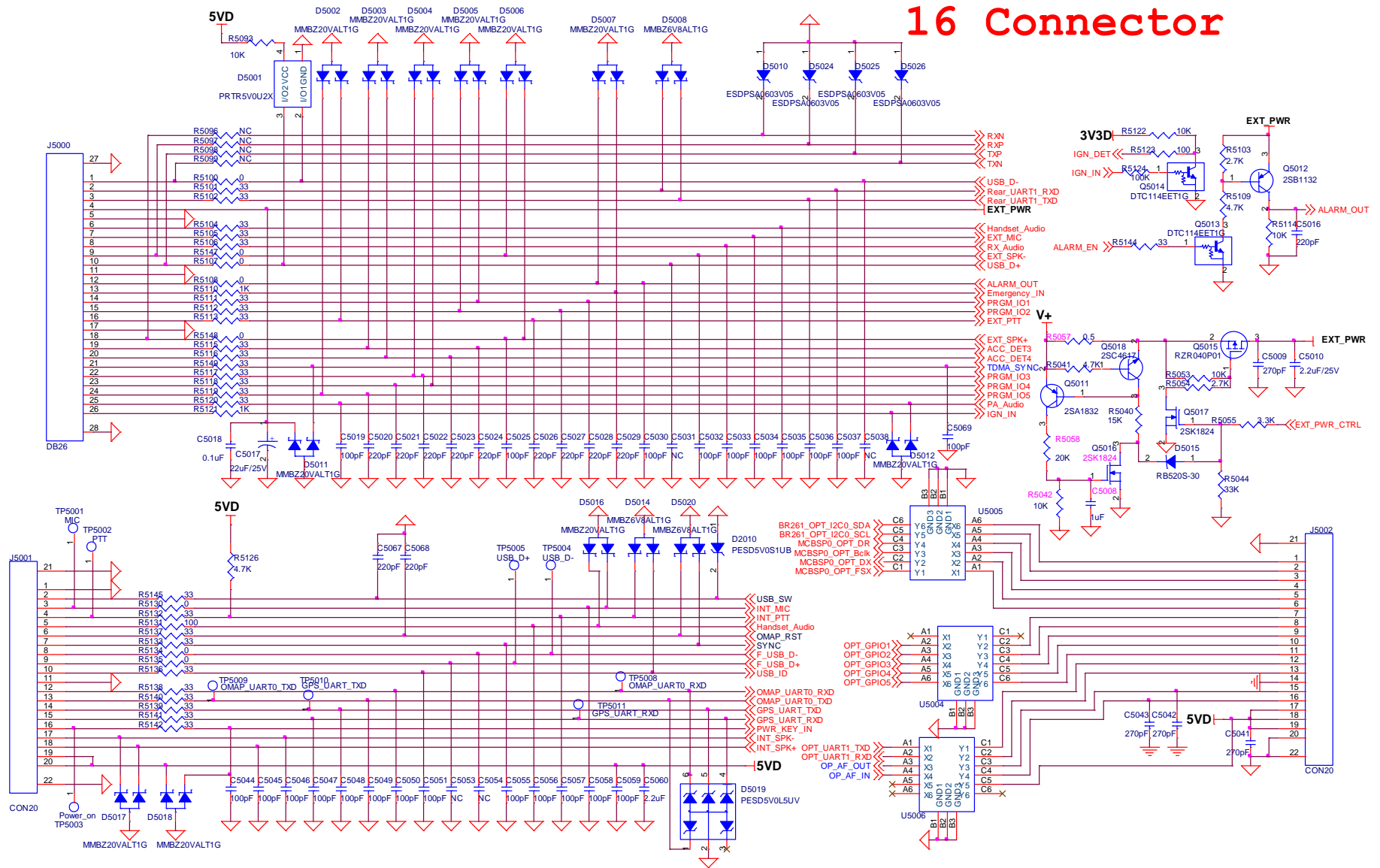


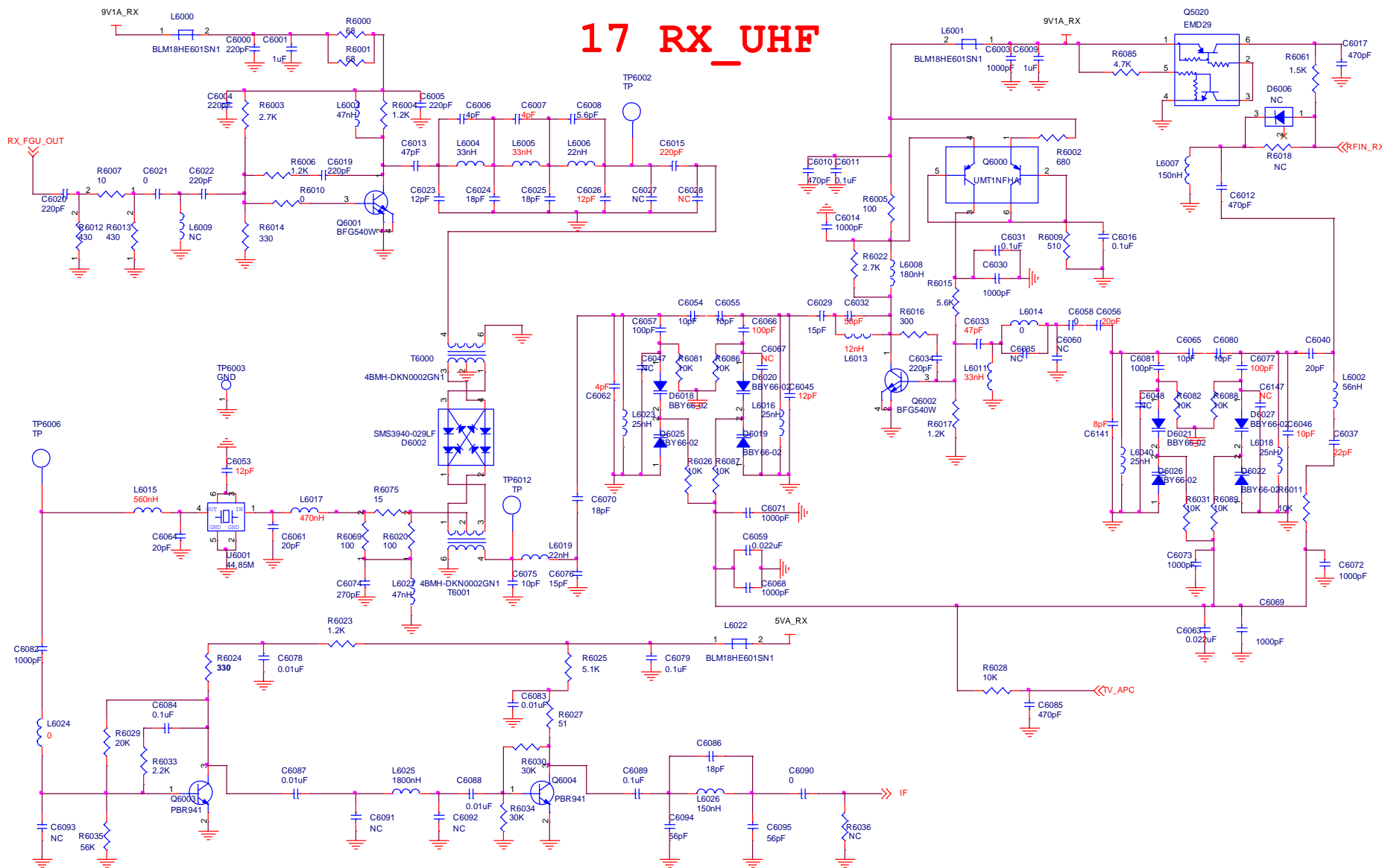
# 15 IO Expand



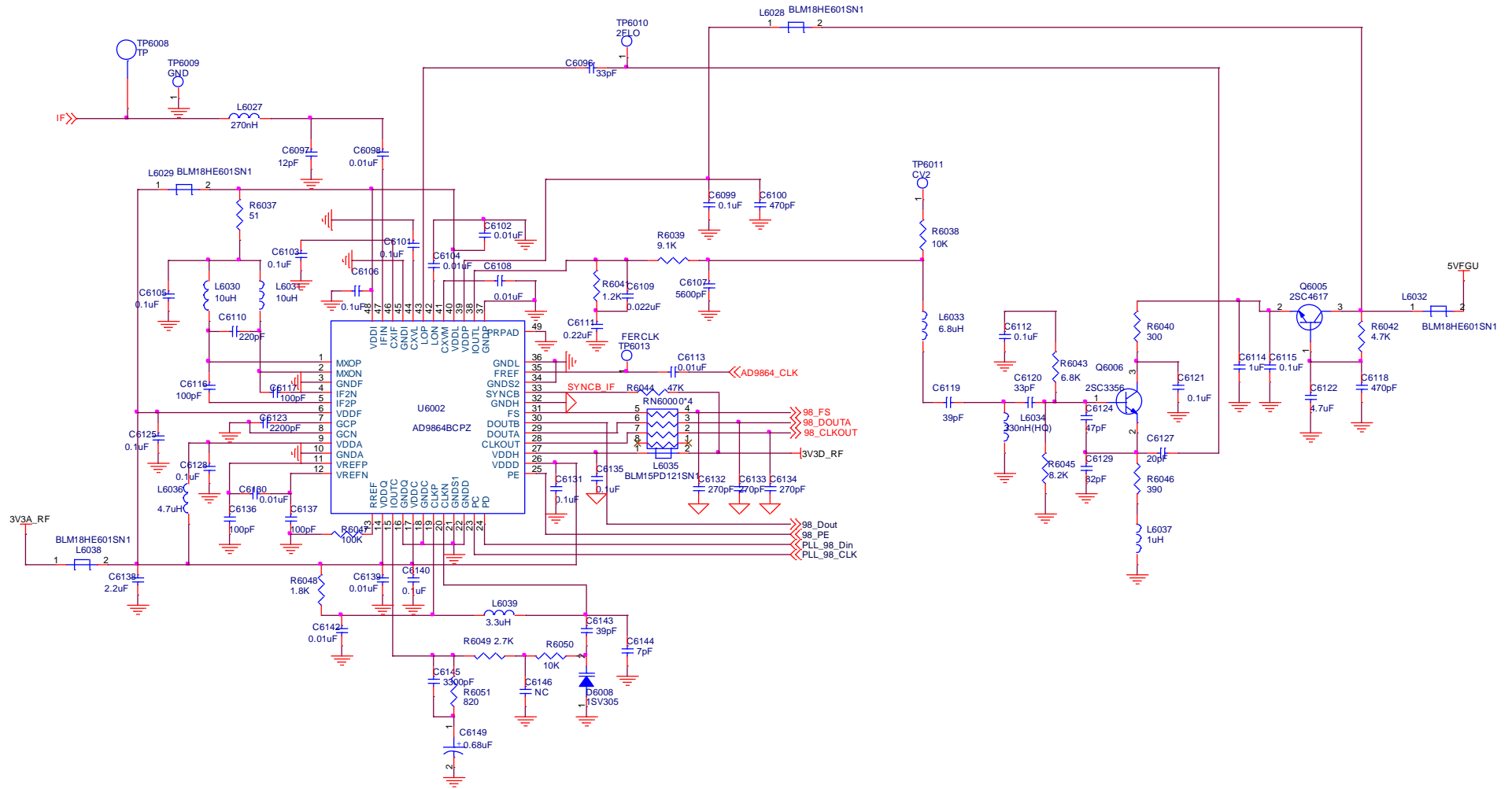


# 16 Connector

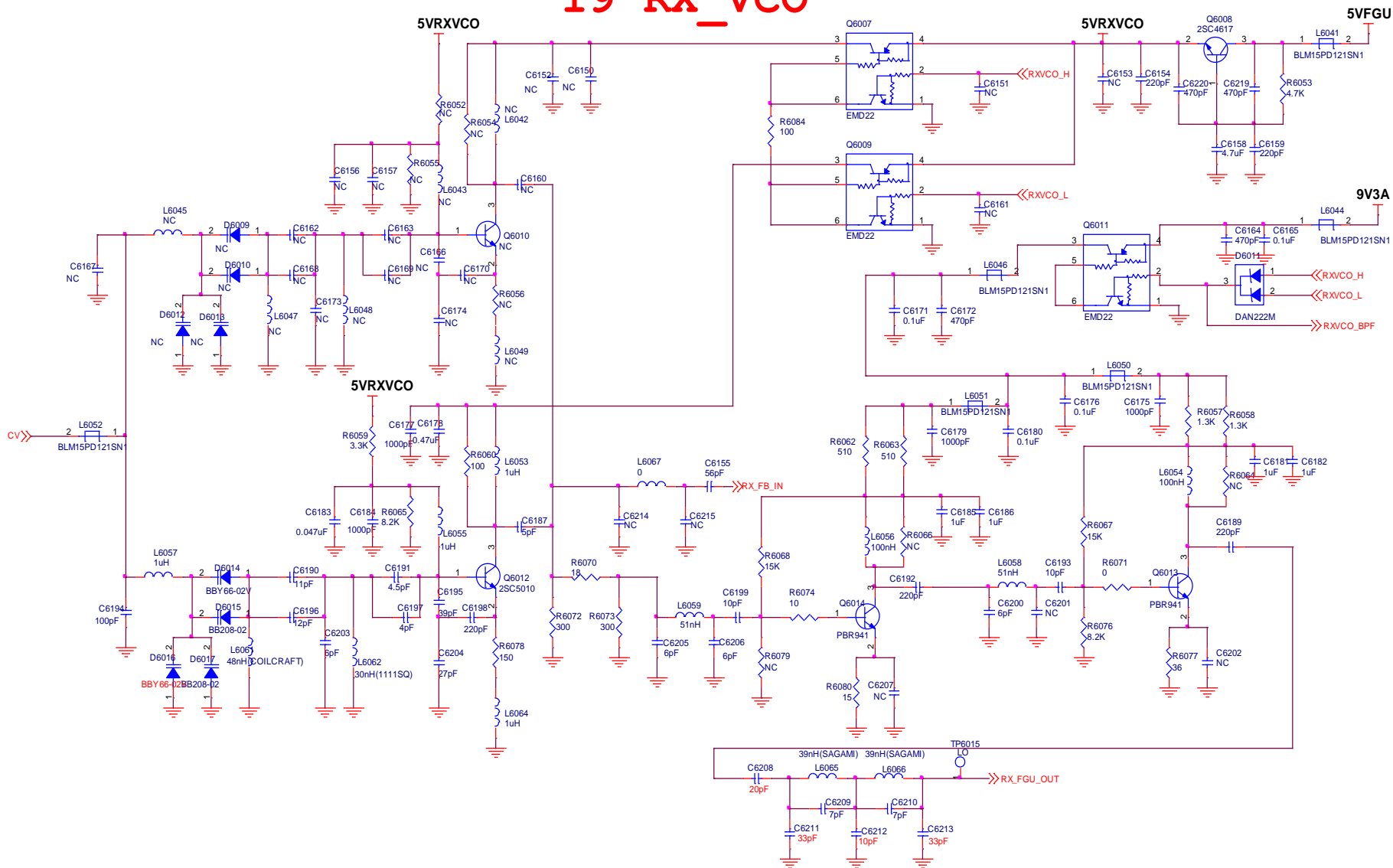


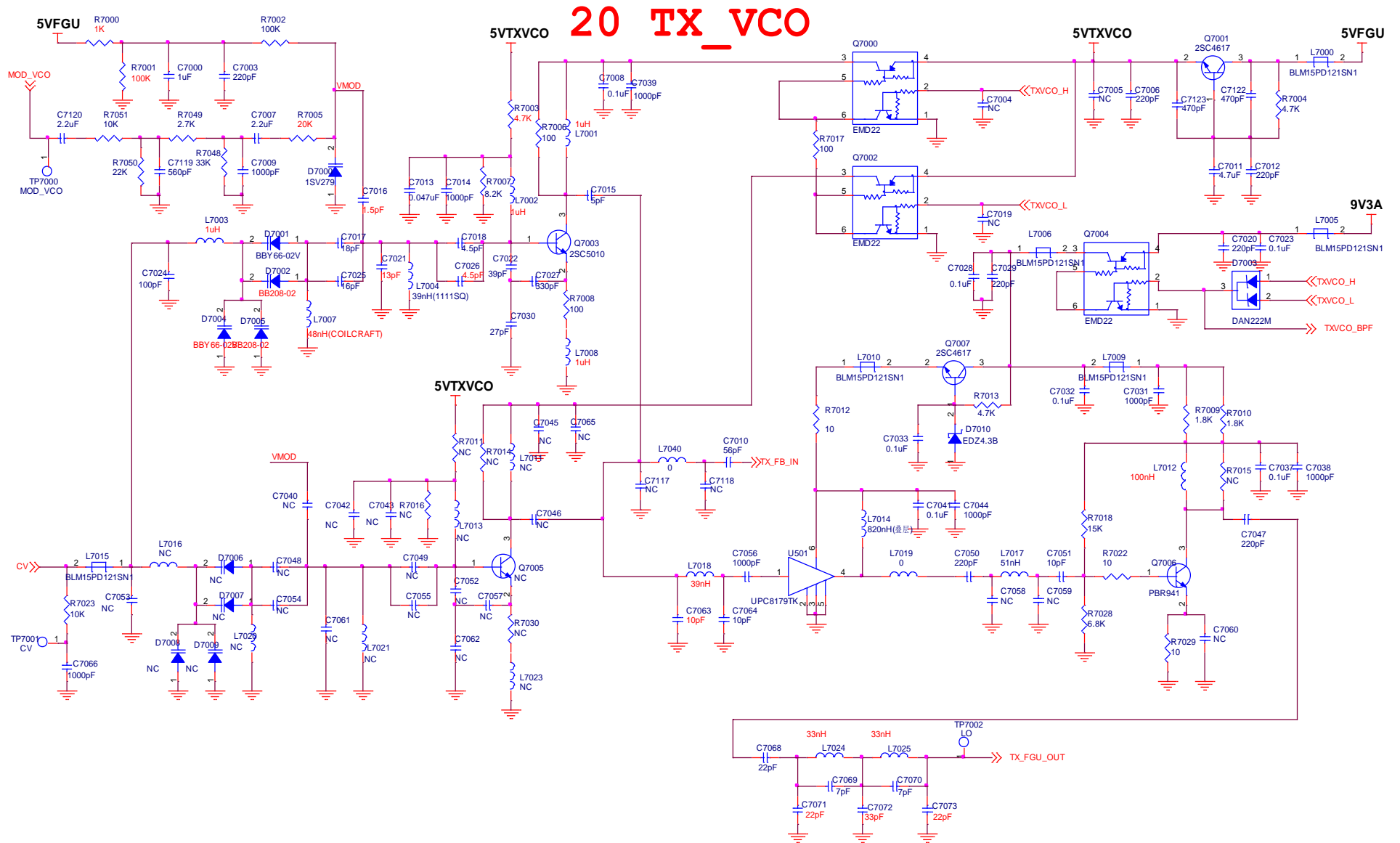


# 18 AD9864

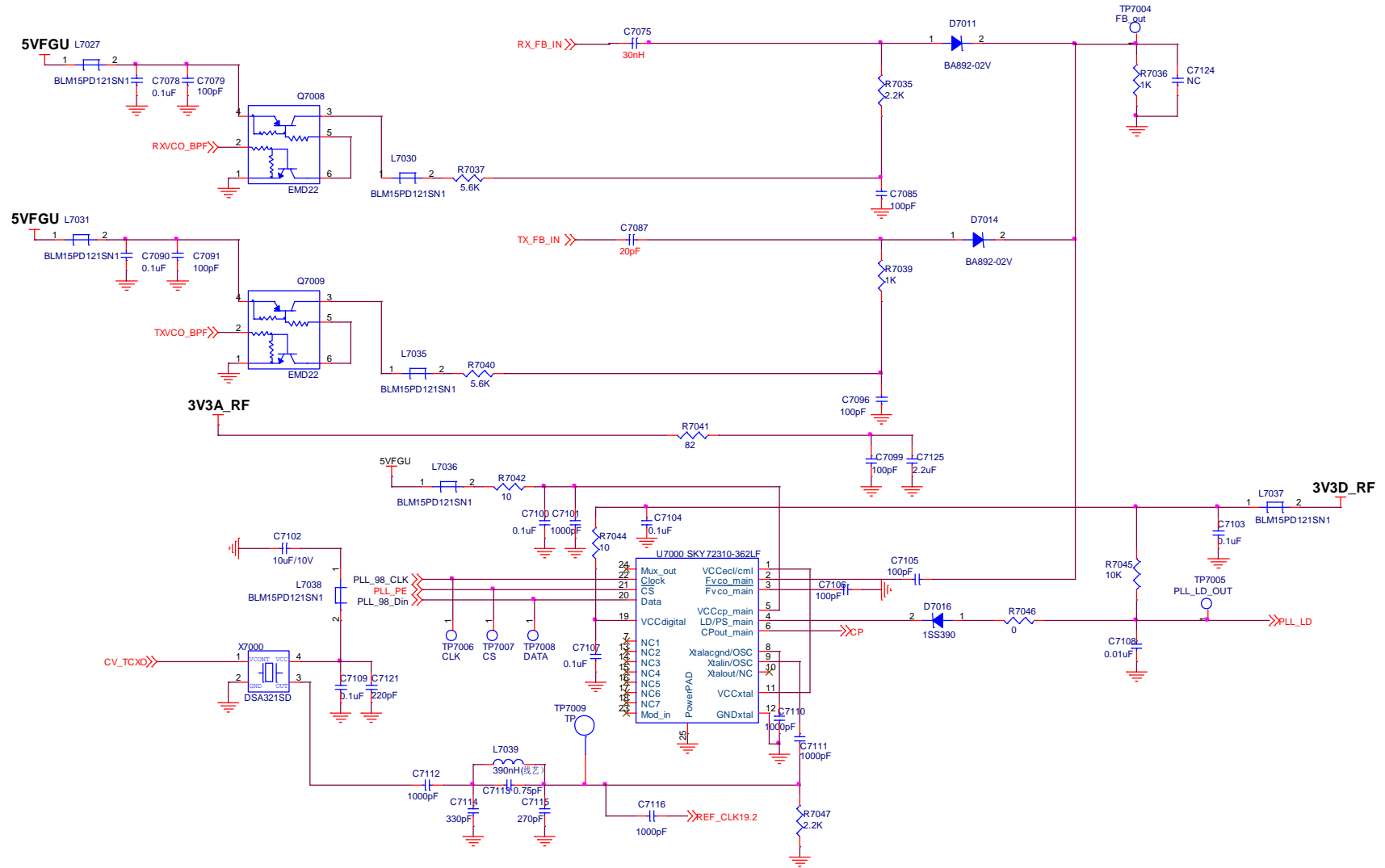


# 19 RX\_VCO

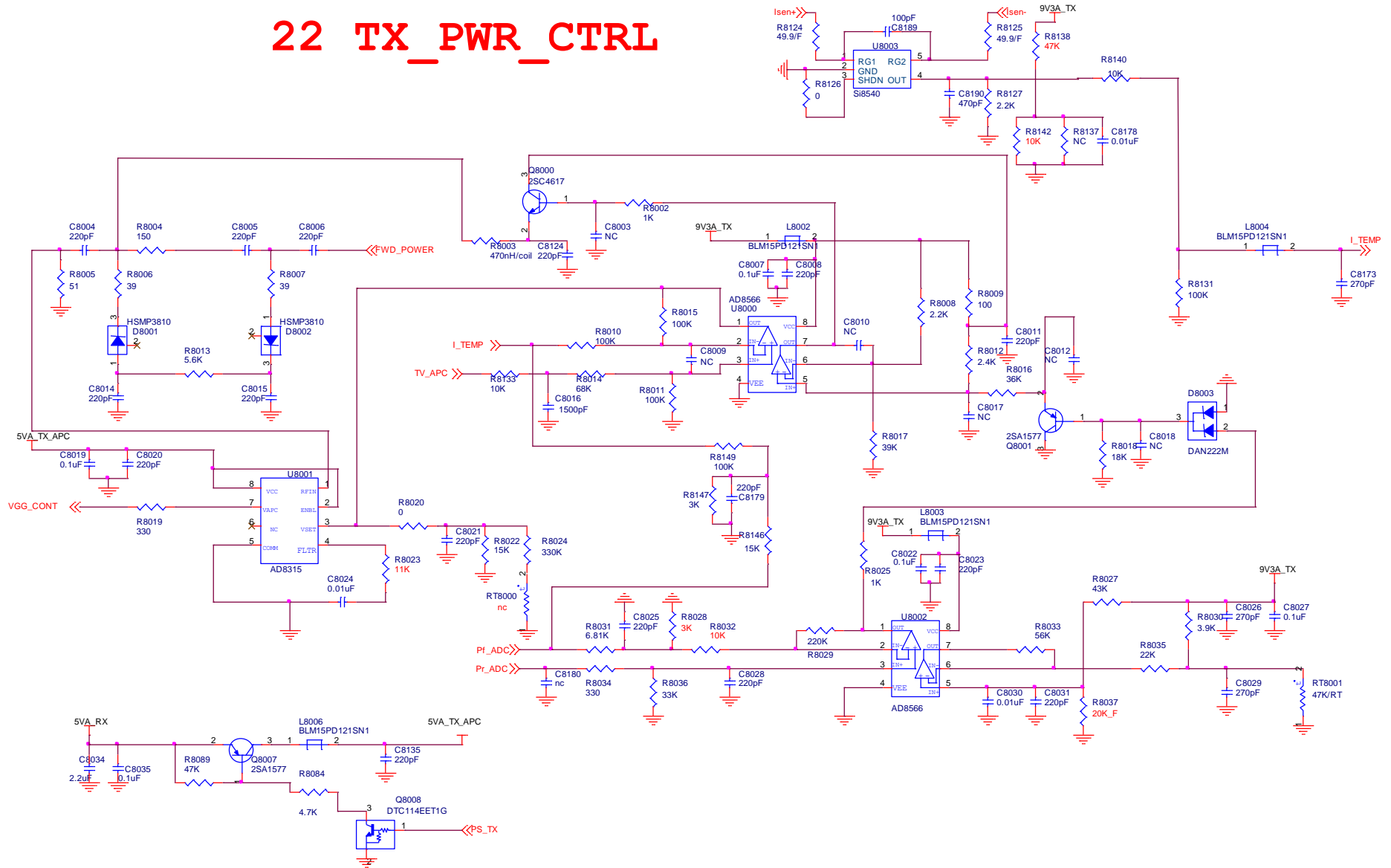




# 21 PLL



# 22 TX\_PWR\_CTRL



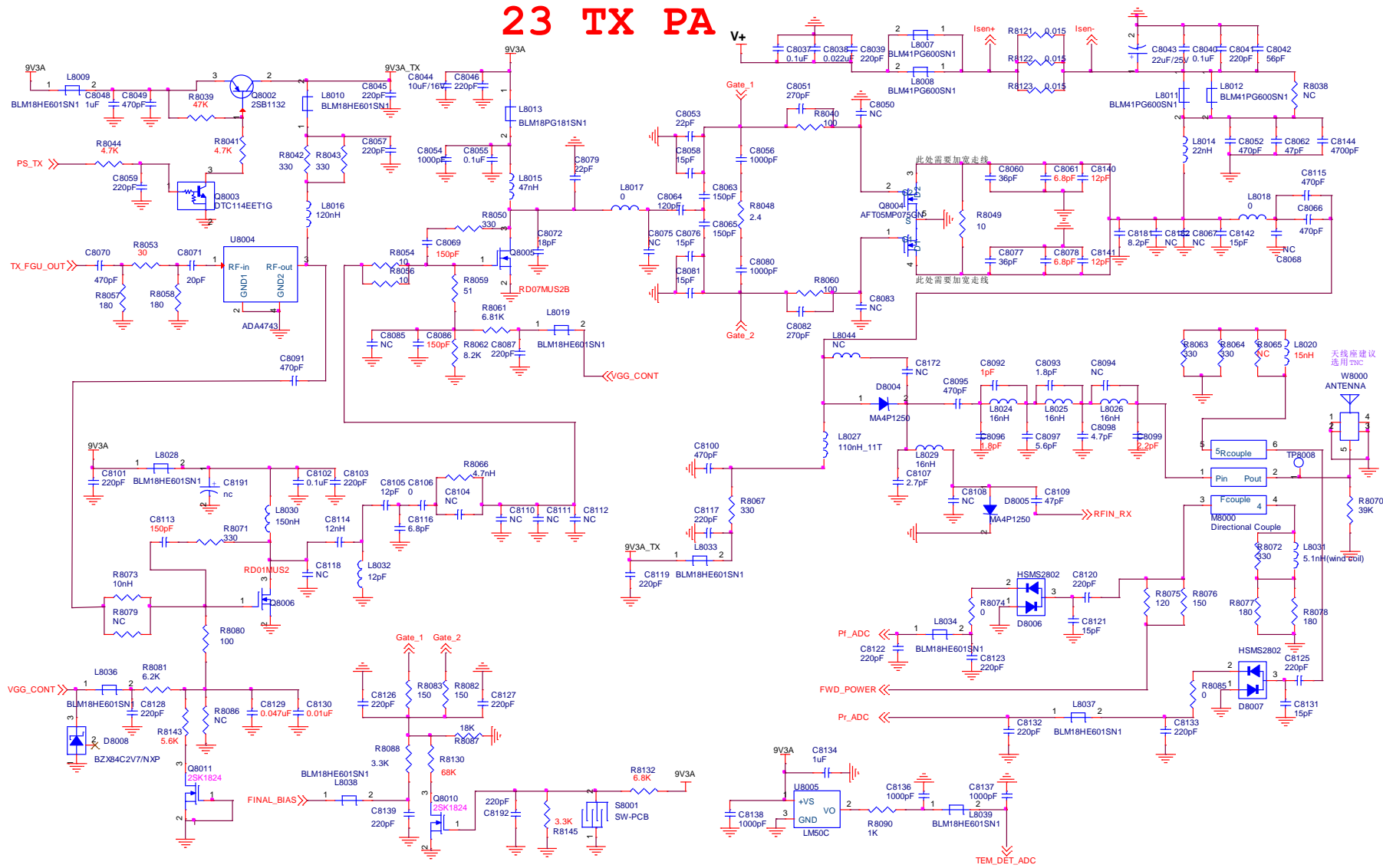


Figure 8-7 Schematic Diagram



## 8.7 Parts List

### RDR9000 TX Board

No.	Ref. No.	Print No.	Part No.	Description
1	R1022	T6D	ERC03000J000	0 Ω
2	R1026	B7C	ERC03000J000	0 Ω
3	R5147	T4B	ERC03000J000	0 Ω
4	R5148	T4A	ERC03000J000	0 Ω
5	L6015	B14H	ERC03000J000	0 Ω
6	L7019	T8J	ERC03000J000	0 Ω
7	L7040	B9J	ERC03000J000	0 Ω
8	R3117	B2E	ERC05000J000	0 Ω
9	L8017	T9G	ERC05000J000	0 Ω
10	R8121	B8C	ERC0615CF000	0.015 Ω
11	R8122	B8B	ERC0615CF000	0.015 Ω
12	R8123	B8B	ERC0615CF000	0.015 Ω
13	R5057	B5B	ERC2550BF000	0.5 Ω
14	R8048	T9G	ERC0624AF000	2.4 Ω
15	C2041	T6I	ERC0233AF000	3.3 Ω
16	R6075	B12H	ERC0247AJ000	4.7 Ω
17	R4038	T2D	ERC0256AF000	5.6 Ω
18	R1021	B7C	ERC03100J000	10 Ω
19	R1036	T3D	ERC03100J000	10 Ω
20	R8047	T10H	ERC03100J000	10 Ω
21	R8051	T10H	ERC03100J000	10 Ω
22	R8054	T10H	ERC03100J000	10 Ω
23	R8056	T10H	ERC03100J000	10 Ω
24	R2013	B3I	ERC02100J000	10 Ω
25	R2016	B3I	ERC02100J000	10 Ω
26	R6074	T12K	ERC02100J000	10 Ω
27	R6080	T12K	ERC02100J000	10 Ω
28	R7012	T8J	ERC02100J000	10 Ω
29	R7022	T8J	ERC02100J000	10 Ω
30	R7042	T9J	ERC02100J000	10 Ω
31	R7044	T10K	ERC02100J000	10 Ω
32	R8049	T9D	ERC06100J000	10 Ω
33	R6070	B11J	ERC02180J000	18 Ω
34	R6077	T12J	ERC02220J000	22 Ω

No.	Ref. No.	Print No.	Part No.	Description
35	R8053	T8H	ERC02300J000	30 Ω
36	R1003	T7E	ERC02330J000	33 Ω
37	R1035	T3D	ERC02330J000	33 Ω
38	R1058	B2J	ERC02330J000	33 Ω
39	R2011	B3I	ERC02330J000	33 Ω
40	R2012	T2J	ERC02330J000	33 Ω
41	R2014	T4J	ERC02330J000	33 Ω
42	R2015	T4J	ERC02330J000	33 Ω
43	R2017	B3J	ERC02330J000	33 Ω
44	R2037	B4I	ERC02330J000	33 Ω
45	R2038	B5J	ERC02330J000	33 Ω
46	R2039	T4I	ERC02330J000	33 Ω
47	R2041	T3H	ERC02330J000	33 Ω
48	R2042	T4H	ERC02330J000	33 Ω
49	R2043	T4I	ERC02330J000	33 Ω
50	R2044	T4J	ERC02330J000	33 Ω
51	R2045	B4J	ERC02330J000	33 Ω
52	R2046	T4J	ERC02330J000	33 Ω
53	R2047	T4H	ERC02330J000	33 Ω
54	R2048	T4H	ERC02330J000	33 Ω
55	R2049	B4I	ERC02330J000	33 Ω
56	R2050	T3J	ERC02330J000	33 Ω
57	R2051	T4J	ERC02330J000	33 Ω
58	R2052	T4H	ERC02330J000	33 Ω
59	R2053	T4I	ERC02330J000	33 Ω
60	R2054	T3J	ERC02330J000	33 Ω
61	R2055	T4I	ERC02330J000	33 Ω
62	R2056	T4I	ERC02330J000	33 Ω
63	R2057	T4H	ERC02330J000	33 Ω
64	R2075	T5K	ERC02330J000	33 Ω
65	R2076	T4K	ERC02330J000	33 Ω
66	R2077	T5K	ERC02330J000	33 Ω
67	R2078	T5K	ERC02330J000	33 Ω
68	R2079	T5K	ERC02330J000	33 Ω
69	R2087	B3J	ERC02330J000	33 Ω
70	R2088	B3J	ERC02330J000	33 Ω
71	R2090	T2J	ERC02330J000	33 Ω
72	R2093	T2J	ERC02330J000	33 Ω
73	R2095	T2J	ERC02330J000	33 Ω

No.	Ref. No.	Print No.	Part No.	Description
74	R2100	B3J	ERC02330J000	33 Ω
75	R3001	T3G	ERC02330J000	33 Ω
76	R3006	B6H	ERC02330J000	33 Ω
77	R3007	B6H	ERC02330J000	33 Ω
78	R3008	B6H	ERC02330J000	33 Ω
79	R3009	B6H	ERC02330J000	33 Ω
80	R3010	B6H	ERC02330J000	33 Ω
81	R3014	B5F	ERC02330J000	33 Ω
82	R3024	B4G	ERC02330J000	33 Ω
83	R3030	B3G	ERC02330J000	33 Ω
84	R3038	B4G	ERC02330J000	33 Ω
85	R3039	B3G	ERC02330J000	33 Ω
86	R3054	B4I	ERC02330J000	33 Ω
87	R3056	B4I	ERC02330J000	33 Ω
88	R3057	B4I	ERC02330J000	33 Ω
89	R3089	T2H	ERC02330J000	33 Ω
90	R3102	T3G	ERC02330J000	33 Ω
91	R3103	T3G	ERC02330J000	33 Ω
92	R4032	T1D	ERC02330J000	33 Ω
93	R4033	T1D	ERC02330J000	33 Ω
94	R4035	T1D	ERC02330J000	33 Ω
95	R4036	T2K	ERC02330J000	33 Ω
96	R5000	B3E	ERC02330J000	33 Ω
97	R5004	B4F	ERC02330J000	33 Ω
98	R5005	B2E	ERC02330J000	33 Ω
99	R5006	B2E	ERC02330J000	33 Ω
100	R5008	B2E	ERC02330J000	33 Ω
101	R5013	B2D	ERC02330J000	33 Ω
102	R5015	B2D	ERC02330J000	33 Ω
103	R5018	B6D	ERC02330J000	33 Ω
104	R5022	B3H	ERC02330J000	33 Ω
105	R5023	B3H	ERC02330J000	33 Ω
106	R5025	B3H	ERC02330J000	33 Ω
107	R5026	B3H	ERC02330J000	33 Ω
108	R5027	B4H	ERC02330J000	33 Ω
109	R5028	B2H	ERC02330J000	33 Ω
110	R5029	B3H	ERC02330J000	33 Ω
111	R5030	B3H	ERC02330J000	33 Ω
112	R5031	B4E	ERC02330J000	33 Ω

No.	Ref. No.	Print No.	Part No.	Description
113	R5034	B4H	ERC02330J000	33 Ω
114	R5036	B4H	ERC02330J000	33 Ω
115	R5037	B4H	ERC02330J000	33 Ω
116	R5038	B4D	ERC02330J000	33 Ω
117	R5039	B4H	ERC02330J000	33 Ω
118	R5048	B4D	ERC02330J000	33 Ω
119	R5059	B4D	ERC02330J000	33 Ω
120	R5060	B5I	ERC02330J000	33 Ω
121	R5061	B5I	ERC02330J000	33 Ω
122	R5063	B5I	ERC02330J000	33 Ω
123	R5064	B4J	ERC02330J000	33 Ω
124	R5066	B5I	ERC02330J000	33 Ω
125	R5073	B3D	ERC02330J000	33 Ω
126	R5076	B2J	ERC02330J000	33 Ω
127	R5079	B3D	ERC02330J000	33 Ω
128	R5080	B6D	ERC02330J000	33 Ω
129	R5088	B5J	ERC02330J000	33 Ω
130	R5089	B3E	ERC02330J000	33 Ω
131	R5091	B5I	ERC02330J000	33 Ω
132	R5092	B3D	ERC02330J000	33 Ω
133	R5094	B5I	ERC02330J000	33 Ω
134	R5101	T3B	ERC02330J000	33 Ω
135	R5102	T3B	ERC02330J000	33 Ω
136	R5104	T4B	ERC02330J000	33 Ω
137	R5105	T4B	ERC02330J000	33 Ω
138	R5106	T4B	ERC02330J000	33 Ω
139	R5111	T3B	ERC02330J000	33 Ω
140	R5112	T4B	ERC02330J000	33 Ω
141	R5113	T5A	ERC02330J000	33 Ω
142	R5115	T2A	ERC02330J000	33 Ω
143	R5116	T2A	ERC02330J000	33 Ω
144	C2042	T6I	ECC15102K000	1000 pF
145	C2060	T1I	ECC15102K000	1000 pF
146	C2161	T7I	ECC15102K000	1000 pF
147	C8136	B8G	ECC15102K000	1000 pF
148	C8137	B8G	ECC15102K000	1000 pF
149	C8138	B8F	ECC15102K000	1000 pF
150	C8054	T10G	ECC18102K000	1000 pF
151	C8056	T9G	ECC18102K000	1000 pF

No.	Ref. No.	Print No.	Part No.	Description
152	C8080	T10G	ECC18102K000	1000 pF
153	R1010	T7G	ERC02104F000	100 kΩ
154	R2018	T6J	ERC02104F000	100 kΩ
155	R2019	T6J	ERC02104F000	100 kΩ
156	R2020	T6K	ERC02104F000	100 kΩ
157	R3016	B5G	ERC02104F000	100 kΩ
158	R3021	B5F	ERC02104F000	100 kΩ
159	R3026	B3G	ERC02104F000	100 kΩ
160	R3028	B4G	ERC02104F000	100 kΩ
161	R3032	B4G	ERC02104F000	100 kΩ
162	R3036	B3G	ERC02104F000	100 kΩ
163	R3040	B4G	ERC02104F000	100 kΩ
164	R3043	B4G	ERC02104F000	100 kΩ
165	R3064	T5G	ERC02104F000	100 kΩ
166	R3067	T3H	ERC02104F000	100 kΩ
167	R3069	T5G	ERC02104F000	100 kΩ
168	R3093	T3G	ERC02104F000	100 kΩ
169	R3095	T1F	ERC02104F000	100 kΩ
170	R4000	B7I	ERC02104F000	100 kΩ
171	R4004	B7I	ERC02104F000	100 kΩ
172	C5033	T4B	ECC15101J000	100 pF
173	C5034	T4B	ECC15101J000	100 pF
174	C5035	T4B	ECC15101J000	100 pF
175	C5036	T3B	ECC15101J000	100 pF
176	C5037	T3B	ECC15101J000	100 pF
177	C5044	B7K	ECC15101J000	100 pF
178	C5045	B6K	ECC15101J000	100 pF
179	C5046	B6K	ECC15101J000	100 pF
180	C5047	B4K	ECC15101J000	100 pF
181	C5048	B5K	ECC15101J000	100 pF
182	C5049	B4K	ECC15101J000	100 pF
183	C5050	B5K	ECC15101J000	100 pF
184	C5051	B6K	ECC15101J000	100 pF
185	C5055	T6J	ECC15101J000	100 pF
186	C5056	T5J	ECC15101J000	100 pF
187	C5057	T5K	ECC15101J000	100 pF
188	C5058	T5J	ECC15101J000	100 pF
189	C5059	B6K	ECC15101J000	100 pF
190	C5064	B5I	ECC15101J000	100 pF

No.	Ref. No.	Print No.	Part No.	Description
191	C5066	B5I	ECC15101J000	100 pF
192	C5069	B3B	ECC15101J000	100 pF
193	C6012	B14F	ECC15101J000	100 pF
194	C6034	B13G	ECC15101J000	100 pF
195	C6116	B15J	ECC15101J000	100 pF
196	C6117	B15J	ECC15101J000	100 pF
197	C6136	B15J	ECC15101J000	100 pF
198	C6137	B15K	ECC15101J000	100 pF
199	C6194	B10I	ECC15101J000	100 pF
200	C7024	B8I	ECC15101J000	100 pF
201	C7079	T11K	ECC15101J000	100 pF
202	C7085	B10K	ECC15101J000	100 pF
203	C7091	T9J	ECC15101J000	100 pF
204	C7096	B9K	ECC15101J000	100 pF
205	C7099	T10K	ECC15101J000	100 pF
206	C7105	T10J	ECC15101J000	100 pF
207	C7106	T10J	ECC15101J000	100 pF
208	C8189	B8B	ECC15101J000	100 pF
209	R1029	T5C	ERC02103F000	10 kΩ
210	R1045	T4C	ERC02103F000	10 kΩ
211	R1050	T4C	ERC02103F000	10 kΩ
212	R1052	T5C	ERC02103F000	10 kΩ
213	R1054	T4C	ERC02103F000	10 kΩ
214	R1056	T5C	ERC02103F000	10 kΩ
215	R2003	B2I	ERC02103F000	10 kΩ
216	R2009	T3J	ERC02103F000	10 kΩ
217	R3017	B5I	ERC02103F000	10 kΩ
218	R3020	B5I	ERC02103F000	10 kΩ
219	R3034	B4H	ERC02103F000	10 kΩ
220	R3044	B4H	ERC02103F000	10 kΩ
221	R3045	B4H	ERC02103F000	10 kΩ
222	R3049	B4H	ERC02103F000	10 kΩ
223	R3055	B4H	ERC02103F000	10 kΩ
224	R3058	B4H	ERC02103F000	10 kΩ
225	R3060	B4H	ERC02103F000	10 kΩ
226	R3061	T4F	ERC02103F000	10 kΩ
227	R3062	T4F	ERC02103F000	10 kΩ
228	R3065	T3H	ERC02103F000	10 kΩ
229	R3068	T3H	ERC02103F000	10 kΩ

No.	Ref. No.	Print No.	Part No.	Description
230	R3076	T5G	ERC02103F000	10 kΩ
231	R3077	T5G	ERC02103F000	10 kΩ
232	R3078	T5G	ERC02103F000	10 kΩ
233	R3094	T1F	ERC02103F000	10 kΩ
234	R4002	B6J	ERC02103F000	10 kΩ
235	R4003	B6J	ERC02103F000	10 kΩ
236	R4019	B6I	ERC02103F000	10 kΩ
237	R4021	B6I	ERC02103F000	10 kΩ
238	R4069	T11J	ERC02103F000	10 kΩ
239	R4070	T2K	ERC02103F000	10 kΩ
240	R4071	T2J	ERC02103F000	10 kΩ
241	R5003	B2D	ERC02103F000	10 kΩ
242	R5011	B2D	ERC02103F000	10 kΩ
243	R5012	B2D	ERC02103F000	10 kΩ
244	R5020	B4D	ERC02103F000	10 kΩ
245	R5033	B2H	ERC02103F000	10 kΩ
246	R5035	B3H	ERC02103F000	10 kΩ
247	R5042	B5B	ERC02103F000	10 kΩ
248	R5045	B4D	ERC02103F000	10 kΩ
249	R5053	B5B	ERC02103F000	10 kΩ
250	R5062	B5I	ERC02103F000	10 kΩ
251	R5069	B3D	ERC02103F000	10 kΩ
252	R5083	B3D	ERC02103F000	10 kΩ
253	R5093	T1B	ERC02103F000	10 kΩ
254	C1024	T6G	ECC15100G000	10 pF
255	C3075	T4G	ECC15100G000	10 pF
256	C3087	T4G	ECC15100G000	10 pF
257	C4112	T2B	ECC15100G000	10 pF
258	C6061	B13H	ECC15100G000	10 pF
259	C6086	B15H	ECC15100G000	10 pF
260	C6155	B10K	ECC15100G000	10 pF
261	C7056	T8J	ECC15100G000	10 pF
262	C7077	B10K	ECC15100G000	10 pF
263	C7089	B9K	ECC15100G000	10 pF
264	L4007	T2K	ECC18100J000	10 pF
265	C4001	B6I	ECC21106K000	10 μF
266	C7102	T9K	ECC21106K000	10 μF
267	C8044	B10H	ECC31106K000	10 μF
268	C3114	B3E	ECC31106K001	10 μF

No.	Ref. No.	Print No.	Part No.	Description
269	L6030	B15I	ELL00103J000	10 $\mu$ H
270	L6031	B15J	ELL00103J000	10 $\mu$ H
271	L8027	B12A	ELH001110000	111 nH
272	R8023	T14G	ERC02113J000	11 k $\Omega$
273	L6062	B10J	ELH00125A000	12.5 nH
274	L8016	T8H	ELW18121J000	120 nH
275	C3050	B3G	ECC15121J000	120 pF
276	C8064	T9G	ECC18121J000	120 pF
277	C8114	T9H	ELW18120J000	12 nH
278	L6065	T12J	ELW18120J000	12 nH
279	L6066	T12J	ELW18120J000	12 nH
280	C6035	B14G	ECC15120J000	12 pF
281	C6097	B15I	ECC15120J000	12 pF
282	C8105	T9H	ECC15120J000	12 pF
283	L8032	T9H	ECC18120J000	12 pF
284	C8074	T10G	ECC18120J000	12 pF
285	C8140	T9D	ECC22120J000	12 pF
286	C8141	T10D	ECC22120J000	12 pF
287	L6061	B10I	ELH00140G000	14 nH
288	C6032	B13F	ECC15140J000	14 pF
289	C2002	B3I	ECC15152K000	1500 pF
290	C2006	B3I	ECC15152K000	1500 pF
291	C2010	B3I	ECC15152K000	1500 pF
292	C2014	B3I	ECC15152K000	1500 pF
293	C2018	B3I	ECC15152K000	1500 pF
294	C2022	B3I	ECC15152K000	1500 pF
295	C2026	B3I	ECC15152K000	1500 pF
296	C2030	B3I	ECC15152K000	1500 pF
297	C8016	T14G	ECC15152K000	1500 pF
298	R7005	B9J	ERC02154F000	150 k $\Omega$
299	L6007	B14F	ELW18151G001	150 nH
300	L8030	T9H	ELW18151G001	150 nH
301	C8086	T10H	ECC15151J000	150 pF
302	C8063	T9G	ECC18151J000	150 pF
303	C8065	T10G	ECC18151J000	150 pF
304	C8069	T10H	ECC18151J000	150 pF
305	C8113	T9H	ECC18151J000	150 pF
306	R1040	T5B	ERC02153F000	15 k $\Omega$
307	R3027	B5I	ERC02153F000	15 k $\Omega$



No.	Ref. No.	Print No.	Part No.	Description
308	R5040	B6B	ERC02153F000	15 kΩ
309	R6067	T12J	ERC02153F000	15 kΩ
310	R6068	T12K	ERC02153F000	15 kΩ
311	R7018	T8J	ERC02153F000	15 kΩ
312	R8022	T14G	ERC02153F000	15 kΩ
313	R8146	T14G	ERC02153F000	15 kΩ
314	L6004	B13J	ELW18150G000	15 nH
315	L6005	B13J	ELW18150G000	15 nH
316	L6006	B13I	ELW18150G000	15 nH
317	L7018	T8J	ELW18150G000	15 nH
318	L8020	T14D	ELW18150G000	15 nH
319	C4079	T2K	ECC15150J000	15 pF
320	C8121	T15D	ECC15150J000	15 pF
321	C8131	T14B	ECC15150J000	15 pF
322	C8047	T9G	ECC18150J000	15 pF
323	C8058	T9G	ECC18150J000	15 pF
324	C8076	T10G	ECC18150J000	15 pF
325	C8081	T10G	ECC18150J000	15 pF
326	C8142	T10B	ECC22150J000	15 pF
327	R1009	T6G	ERC02163F000	16 kΩ
328	R3072	T3H	ERC02163F000	16 kΩ
329	R5010	B4F	ERC02163F000	16 kΩ
330	R5014	B2C	ERC02163F000	16 kΩ
331	R5021	B6D	ERC02163F000	16 kΩ
332	R5032	B4D	ERC02163F000	16 kΩ
333	R5051	B4D	ERC02163F000	16 kΩ
334	R5068	B4J	ERC02163F000	16 kΩ
335	R5074	B4D	ERC02163F000	16 kΩ
336	R5081	B2J	ERC02163F000	16 kΩ
337	R5082	B6D	ERC02163F000	16 kΩ
338	R5090	B4D	ERC02163F000	16 kΩ
339	R5153	B5D	ERC02163F000	16 kΩ
340	L8024	T12C	ELH00160K000	16 nH
341	L8025	T13D	ELH00160K000	16 nH
342	L8026	T12E	ELH00160K000	16 nH
343	L8029	T13A	ELH00160K000	16 nH
344	C7072	T8I	ECC15160J000	16 pF
345	C7082	B10K	ECC15160J000	16 pF
346	C7022	B9J	ECC18160J000	16 pF

No.	Ref. No.	Print No.	Part No.	Description
347	C7030	B10J	ECC18160J000	16 pF
348	L6012	B15F	ELH00170Z000	17 nH
349	L6018	B12G	ELH00170Z000	17 nH
350	L6020	B15G	ELH00170Z000	17 nH
351	L6023	B12F	ELH00170Z000	17 nH
352	L7007	B9I	ELH00170Z000	17 nH
353	C7009	B9I	ECC15182J001	1800 pF
354	R1043	T4B	ERC02184J000	180 kΩ
355	R1046	T4B	ERC02184J000	180 kΩ
356	R3015	B5F	ERC02183F000	18 kΩ
357	R3025	B4G	ERC02183F000	18 kΩ
358	R3033	B4G	ERC02183F000	18 kΩ
359	R8018	T13G	ERC02183F000	18 kΩ
360	R8087	B9F	ERC02183F000	18 kΩ
361	R8097	T14G	ERC02183F000	18 kΩ
362	L7032	B9K	ELW18180J000	18 nH
363	C6033	B14G	ECC15180J000	18 pF
364	C7094	B9K	ECC15180J000	18 pF
365	C7095	B9K	ECC15180J000	18 pF
366	C8072	T11G	ECC18180J000	18 pF
367	C8073	T10G	ECC18180J000	18 pF
368	R1017	T11F	ERC02102J000	1 kΩ
369	R1031	T5D	ERC02102J000	1 kΩ
370	R1034	T4D	ERC02102J000	1 kΩ
371	R1041	T4B	ERC02102J000	1 kΩ
372	R2094	T3H	ERC02102J000	1 kΩ
373	R3070	T3G	ERC02102J000	1 kΩ
374	R3079	T3G	ERC02102J000	1 kΩ
375	R3080	T3G	ERC02102J000	1 kΩ
376	R3097	T3G	ERC02102J000	1 kΩ
377	R4006	B6J	ERC02102J000	1 kΩ
378	R4009	B7J	ERC02102J000	1 kΩ
379	R4013	B7J	ERC02102J000	1 kΩ
380	R4031	T1D	ERC02102J000	1 kΩ
381	R5007	B4F	ERC02102J000	1 kΩ
382	R5110	T3B	ERC02102J000	1 kΩ
383	R5121	T4A	ERC02102J000	1 kΩ
384	R7000	B8J	ERC02102J000	1 kΩ
385	R7009	T8J	ERC02102J000	1 kΩ

No.	Ref. No.	Print No.	Part No.	Description
386	R7010	T8J	ERC02102J000	1 k $\Omega$
387	R7036	B10J	ERC02102J000	1 k $\Omega$
388	R7039	B9K	ERC02102J000	1 k $\Omega$
389	R8002	T13G	ERC02102J000	1 k $\Omega$
390	R8025	T14F	ERC02102J000	1 k $\Omega$
391	R8090	B8F	ERC02102J000	1 k $\Omega$
392	R1008	T6H	ERC02105F000	1 M $\Omega$
393	R3063	T4G	ERC02105F000	1 M $\Omega$
394	R8128	T13G	ERC02105F000	1 M $\Omega$
395	R8141	T13F	ERC02105F000	1 M $\Omega$
396	C7016	B9J	ECC1810AB000	1 pF
397	C7086	B9K	ECC1510AB000	1 pF
398	C8092	T13C	ECC2210AC000	1 pF
399	D1003	T6C	EDSS01030000	Switching diode
400	D4000	T1D	EDSS03040001	Switching diode
401	D7016	T10K	EDSS03040001	Switching diode
402	D7000	B9J	EDVS01010000	Varactor diode
403	D6008	B14K	EDVS01010001	Varactor diode
404	D6014	B10I	EDVS01010001	Varactor diode
405	D6016	B10I	EDVS01010001	Varactor diode
406	D7001	B9I	EDVS01010001	Varactor diode
407	D7004	B9I	EDVS01010001	Varactor diode
408	D6001	B14G	EDVS01010004	Varactor diode
409	D6003	B14F	EDVS01010004	Varactor diode
410	D6004	B14F	EDVS01010004	Varactor diode
411	D6018	B12F	EDVS01010004	Varactor diode
412	D6019	B12G	EDVS01010004	Varactor diode
413	D6020	B12F	EDVS01010004	Varactor diode
414	D6021	B12F	EDVS01010004	Varactor diode
415	D6022	B14G	EDVS01010004	Varactor diode
416	D6007	T14I	EDVS01010002	Varactor diode
417	D6023	B14F	EDVS01010002	Varactor diode
418	C1022	T6G	ECC15105K000	1 $\mu$ F
419	C1036	T5H	ECC15105K000	1 $\mu$ F
420	C1050	T5G	ECC15105K000	1 $\mu$ F
421	C1070	T6F	ECC15105K000	1 $\mu$ F
422	C1078	T1J	ECC15105K000	1 $\mu$ F
423	C1087	T4F	ECC15105K000	1 $\mu$ F
424	C1098	T3D	ECC15105K000	1 $\mu$ F

No.	Ref. No.	Print No.	Part No.	Description
425	C1103	T12H	ECC15105K000	1 $\mu$ F
426	C1110	T12H	ECC15105K000	1 $\mu$ F
427	C2033	T7I	ECC15105K000	1 $\mu$ F
428	C2038	B2I	ECC15105K000	1 $\mu$ F
429	C2039	B2I	ECC15105K000	1 $\mu$ F
430	C2047	B2I	ECC15105K000	1 $\mu$ F
431	C2057	T1I	ECC15105K000	1 $\mu$ F
432	C2062	B3I	ECC15105K000	1 $\mu$ F
433	C2066	T5J	ECC15105K000	1 $\mu$ F
434	C2153	B1H	ECC15105K000	1 $\mu$ F
435	C3048	B4H	ECC15105K000	1 $\mu$ F
436	C3049	B5H	ECC15105K000	1 $\mu$ F
437	C3063	B5H	ECC15105K000	1 $\mu$ F
438	C3068	B5H	ECC15105K000	1 $\mu$ F
439	C3073	B5H	ECC15105K000	1 $\mu$ F
440	C3077	T3H	ECC15105K000	1 $\mu$ F
441	C3078	T3H	ECC15105K000	1 $\mu$ F
442	C3079	T3H	ECC15105K000	1 $\mu$ F
443	C3080	T3H	ECC15105K000	1 $\mu$ F
444	C3088	T3G	ECC15105K000	1 $\mu$ F
445	C3097	T3H	ECC15105K000	1 $\mu$ F
446	C3106	T3H	ECC15105K000	1 $\mu$ F
447	C3108	T3H	ECC15105K000	1 $\mu$ F
448	C4002	B7I	ECC15105K000	1 $\mu$ F
449	C4018	B6I	ECC15105K000	1 $\mu$ F
450	C4021	T10J	ECC15105K000	1 $\mu$ F
451	C5008	B5B	ECC15105K000	1 $\mu$ F
452	C5052	T3D	ECC15105K000	1 $\mu$ F
453	C6009	B12F	ECC15105K000	1 $\mu$ F
454	C6114	T14H	ECC15105K000	1 $\mu$ F
455	C6180	T11J	ECC15105K000	1 $\mu$ F
456	C6181	T12J	ECC15105K000	1 $\mu$ F
457	C6182	T12J	ECC15105K000	1 $\mu$ F
458	C6185	T12J	ECC15105K000	1 $\mu$ F
459	C1052	T12H	ECC18105K000	1 $\mu$ F
460	C1059	T12G	ECC18105K000	1 $\mu$ F
461	C1079	T3F	ECC18105K000	1 $\mu$ F
462	C3003	T2F	ECC18105K000	1 $\mu$ F
463	C3008	B6G	ECC18105K000	1 $\mu$ F

No.	Ref. No.	Print No.	Part No.	Description
464	C3020	T2G	ECC18105K000	1 $\mu$ F
465	C3026	B4F	ECC18105K000	1 $\mu$ F
466	C3027	B5H	ECC18105K000	1 $\mu$ F
467	C3029	B5F	ECC18105K000	1 $\mu$ F
468	C3040	B4G	ECC18105K000	1 $\mu$ F
469	C1067	T6G	ECC18225K000	2.2 $\mu$ F
470	C1073	T4E	ECC18225K000	2.2 $\mu$ F
471	C1082	T2J	ECC18225K000	2.2 $\mu$ F
472	C1090	T2D	ECC18225K000	2.2 $\mu$ F
473	C1094	T4F	ECC18225K000	2.2 $\mu$ F
474	C1106	T12H	ECC18225K000	2.2 $\mu$ F
475	C1113	T12I	ECC18225K000	2.2 $\mu$ F
476	C3022	B5H	ECC18225K000	2.2 $\mu$ F
477	C3034	B5I	ECC18225K000	2.2 $\mu$ F
478	C3081	T3G	ECC18225K000	2.2 $\mu$ F
479	C3082	T3G	ECC18225K000	2.2 $\mu$ F
480	C3101	T5G	ECC18225K000	2.2 $\mu$ F
481	C4062	T2D	ECC18225K000	2.2 $\mu$ F
482	C4073	T2J	ECC18225K000	2.2 $\mu$ F
483	C4075	T2K	ECC18225K000	2.2 $\mu$ F
484	C4097	B3C	ECC18225K000	2.2 $\mu$ F
485	C4106	T2D	ECC18225K000	2.2 $\mu$ F
486	C5060	B6K	ECC18225K000	2.2 $\mu$ F
487	C6138	B13K	ECC18225K000	2.2 $\mu$ F
488	C7007	B9I	ECC18225K000	2.2 $\mu$ F
489	C7120	B8I	ECC18225K000	2.2 $\mu$ F
490	C7125	T9K	ECC18225K000	2.2 $\mu$ F
491	C8034	T13H	ECC18225K000	2.2 $\mu$ F
492	C5010	B5B	ECC21225K000	2.2 $\mu$ F
493	R3035	B4H	ERC02242J000	2.4 k $\Omega$
494	R8012	T13G	ERC02242J000	2.4 k $\Omega$
495	C4067	T2C	ECC1525AB000	2.5 pF
496	R1028	T6D	ERZ022741F00	2.74 k $\Omega$
497	R3104	T3G	ERZ022741F00	2.74 k $\Omega$
498	R3105	T3F	ERZ022741F00	2.74 k $\Omega$
499	R3106	T3G	ERZ022741F00	2.74 k $\Omega$
500	R3107	T3F	ERZ022741F00	2.74 k $\Omega$
501	R5054	B5B	ERZ022741F00	2.74 k $\Omega$
502	R5103	B2B	ERZ022741F00	2.74 k $\Omega$

No.	Ref. No.	Print No.	Part No.	Description
503	R6003	B12J	ERZ022741F00	2.74 kΩ
504	R6022	B13F	ERZ022741F00	2.74 kΩ
505	R6049	B14K	ERZ022741F00	2.74 kΩ
506	R7049	B8I	ERZ022741F00	2.74 kΩ
507	C8107	T12B	ECC2227AC000	2.7 pF
508	R1044	T4C	ERC02203F000	20 kΩ
509	R1053	T4D	ERC02203F000	20 kΩ
510	R1057	T4C	ERC02203F000	20 kΩ
511	R3013	B6G	ERC02203F000	20 kΩ
512	R3018	B5G	ERC02203F000	20 kΩ
513	R5058	B5B	ERC02203F000	20 kΩ
514	R6029	B14H	ERC02203F000	20 kΩ
515	R8037	T13F	ERC02203F000	20 kΩ
516	C2046	T3J	ECC15200J000	20 pF
517	C2048	T3J	ECC15200J000	20 pF
518	C2054	B3J	ECC15200J000	20 pF
519	C2055	B3J	ECC15200J000	20 pF
520	C2091	B3J	ECC15221J000	220 pF
521	C2095	B3I	ECC15221J000	220 pF
522	C2096	T4J	ECC15221J000	220 pF
523	C2097	T4J	ECC15221J000	220 pF
524	C2098	T4H	ECC15221J000	220 pF
525	C2099	T4I	ECC15221J000	220 pF
526	C2100	T4I	ECC15221J000	220 pF
527	C2101	T4H	ECC15221J000	220 pF
528	C2104	T3H	ECC15221J000	220 pF
529	C2105	B3I	ECC15221J000	220 pF
530	C2106	T3H	ECC15221J000	220 pF
531	C2107	T3H	ECC15221J000	220 pF
532	C2108	T3H	ECC15221J000	220 pF
533	C2113	T4I	ECC15221J000	220 pF
534	C2114	T3H	ECC15221J000	220 pF
535	C2115	T3H	ECC15221J000	220 pF
536	C2116	B3I	ECC15221J000	220 pF
537	C2117	T4H	ECC15221J000	220 pF
538	C2120	B3I	ECC15221J000	220 pF
539	C2129	B3I	ECC15221J000	220 pF
540	C2130	B4I	ECC15221J000	220 pF
541	C2131	B3I	ECC15221J000	220 pF

No.	Ref. No.	Print No.	Part No.	Description
542	C2132	B3I	ECC15221J000	220 pF
543	C2133	B3J	ECC15221J000	220 pF
544	C2134	B2J	ECC15221J000	220 pF
545	C2135	T2I	ECC15221J000	220 pF
546	C2136	B3I	ECC15221J000	220 pF
547	C2137	B3J	ECC15221J000	220 pF
548	C2138	T2I	ECC15221J000	220 pF
549	C2139	B2J	ECC15221J000	220 pF
550	C2141	B3I	ECC15221J000	220 pF
551	C2142	T2H	ECC15221J000	220 pF
552	C2143	T2H	ECC15221J000	220 pF
553	C2144	T2I	ECC15221J000	220 pF
554	C2145	T2H	ECC15221J000	220 pF
555	C2146	T2H	ECC15221J000	220 pF
556	C2147	T2H	ECC15221J000	220 pF
557	C2148	T2H	ECC15221J000	220 pF
558	C2149	T3H	ECC15221J000	220 pF
559	C2150	T3J	ECC15221J000	220 pF
560	C2151	B3I	ECC15221J000	220 pF
561	C2152	B3J	ECC15221J000	220 pF
562	C2159	T4K	ECC15221J000	220 pF
563	C3001	T2F	ECC15221J000	220 pF
564	C3019	B6G	ECC15221J000	220 pF
565	C3023	T2G	ECC15221J000	220 pF
566	C3028	B5G	ECC15221J000	220 pF
567	C3054	B4G	ECC15221J000	220 pF
568	C5016	B2B	ECC15221J000	220 pF
569	C5020	T4A	ECC15221J000	220 pF
570	C5021	T3A	ECC15221J000	220 pF
571	C5022	T3A	ECC15221J000	220 pF
572	C5023	T2A	ECC15221J000	220 pF
573	C5024	T2A	ECC15221J000	220 pF
574	C5026	T5A	ECC15221J000	220 pF
575	C5027	T4B	ECC15221J000	220 pF
576	C5028	T3B	ECC15221J000	220 pF
577	C5029	T3B	ECC15221J000	220 pF
578	C5063	T3D	ECC15221J000	220 pF
579	C5067	B4K	ECC15221J000	220 pF
580	C5068	T5J	ECC15221J000	220 pF

No.	Ref. No.	Print No.	Part No.	Description
581	C6000	B12K	ECC15221J000	220 pF
582	C6003	B13F	ECC15221J000	220 pF
583	C6004	B12J	ECC15221J000	220 pF
584	C6005	B13J	ECC15221J000	220 pF
585	C6010	B13F	ECC15221J000	220 pF
586	C6014	B13F	ECC15221J000	220 pF
587	C6019	B12J	ECC15221J000	220 pF
588	C6020	B12J	ECC15221J000	220 pF
589	C6022	B12J	ECC15221J000	220 pF
590	C6030	B13F	ECC15221J000	220 pF
591	C6068	B12F	ECC15221J000	220 pF
592	C6069	B14F	ECC15221J000	220 pF
593	C6071	B13G	ECC15221J000	220 pF
594	C6072	B15G	ECC15221J000	220 pF
595	C6073	B14G	ECC15221J000	220 pF
596	C6085	B12F	ECC15221J000	220 pF
597	C6110	B15J	ECC15221J000	220 pF
598	C6154	B11K	ECC15221J000	220 pF
599	C6159	B11K	ECC15221J000	220 pF
600	C6189	T11J	ECC15221J000	220 pF
601	C6192	T12K	ECC15221J000	220 pF
602	C7003	B9I	ECC15221J000	220 pF
603	C7006	T9J	ECC15221J000	220 pF
604	C7012	T9J	ECC15221J000	220 pF
605	C7014	B9J	ECC15221J000	220 pF
606	C7020	B8K	ECC15221J000	220 pF
607	C7029	B8K	ECC15221J000	220 pF
608	C7031	T8J	ECC15221J000	220 pF
609	C7038	T8J	ECC15221J000	220 pF
610	C7044	T8J	ECC15221J000	220 pF
611	C7047	T8J	ECC15221J000	220 pF
612	C7050	T8J	ECC15221J000	220 pF
613	C7121	T9K	ECC15221J000	220 pF
614	C8000	T14F	ECC15221J000	220 pF
615	C8001	T15F	ECC15221J000	220 pF
616	C8002	T15F	ECC15221J000	220 pF
617	C8004	T14G	ECC15221J000	220 pF
618	C8005	T15F	ECC15221J000	220 pF
619	C8006	T15F	ECC15221J000	220 pF



No.	Ref. No.	Print No.	Part No.	Description
620	C8008	T13G	ECC15221J000	220 pF
621	C8011	T14G	ECC15221J000	220 pF
622	C8014	T15G	ECC15221J000	220 pF
623	C8015	T15G	ECC15221J000	220 pF
624	C8020	T14G	ECC15221J000	220 pF
625	C8021	T14G	ECC15221J000	220 pF
626	C8023	T13F	ECC15221J000	220 pF
627	C8025	T14F	ECC15221J000	220 pF
628	C8028	T14F	ECC15221J000	220 pF
629	C8031	T13F	ECC15221J000	220 pF
630	C8045	B8G	ECC15221J000	220 pF
631	C8057	B8H	ECC15221J000	220 pF
632	C8059	B8G	ECC15221J000	220 pF
633	C8087	B10H	ECC15221J000	220 pF
634	C8101	T9H	ECC15221J000	220 pF
635	C8103	T9H	ECC15221J000	220 pF
636	C8117	B12B	ECC15221J000	220 pF
637	C8119	B12B	ECC15221J000	220 pF
638	C8120	T15D	ECC15221J000	220 pF
639	C8122	T15C	ECC15221J000	220 pF
640	C8123	T15C	ECC15221J000	220 pF
641	C8124	T14F	ECC15221J000	220 pF
642	C8125	T14B	ECC15221J000	220 pF
643	C8128	B8H	ECC15221J000	220 pF
644	C8132	T14C	ECC15221J000	220 pF
645	C8133	T14C	ECC15221J000	220 pF
646	C8135	T12H	ECC15221J000	220 pF
647	C8139	B9G	ECC15221J000	220 pF
648	C8179	T14G	ECC15221J000	220 pF
649	C8188	T13G	ECC15221J000	220 pF
650	C8192	B10F	ECC15221J000	220 pF
651	C8039	B7B	ECC18221J000	220 pF
652	C8041	B10B	ECC18221J000	220 pF
653	C8046	B10G	ECC18221J000	220 pF
654	C8126	B10F	ECC18221J000	220 pF
655	C8127	B9F	ECC18221J000	220 pF
656	C1008	T5F	ECZ00227K000	220 $\mu$ F
657	R1004	T7F	ERC02223F000	22 k $\Omega$
658	R3022	B5G	ERC02223F000	22 k $\Omega$

No.	Ref. No.	Print No.	Part No.	Description
659	R3023	B5G	ERC02223F000	22 kΩ
660	R8035	T13F	ERC02223F000	22 kΩ
661	L8014	T10C	ELH00220Z000	22 nH
662	L7026	B10K	ELW18220J000	22 nH
663	C6013	B13J	ECC15220J000	22 pF
664	C6015	B12I	ECC15220J000	22 pF
665	C7068	T8J	ECC15220J000	22 pF
666	C6195	B10J	ECC18220J000	22 pF
667	C8053	T8F	ECC18220J000	22 pF
668	C8079	T11H	ECC18220J000	22 pF
669	C8084	T10F	ECC18220J000	22 pF
670	C1013	T4E	ECT31226K000	22 μF
671	C1018	T6G	ECT31226K000	22 μF
672	C1020	T6F	ECT31226K000	22 μF
673	C1023	T7H	ECC31226M000	22 μF
674	C1025	T7H	ECC31226M000	22 μF
675	C1001	T6E	ECC32226K000	22 μF
676	C1002	T6E	ECC32226K000	22 μF
677	C1030	T12F	ECC32226K000	22 μF
678	C1031	T12G	ECC32226K000	22 μF
679	C1041	T6C	ECC32226K000	22 μF
680	C1043	B6D	ECC32226K000	22 μF
681	C1100	T5B	ECC32226K000	22 μF
682	C3000	T3E	ECC32226K000	22 μF
683	C3005	T2E	ECC32226K000	22 μF
684	C3011	B5G	ECC32226K000	22 μF
685	C3032	B5G	ECC32226K000	22 μF
686	C3036	B4G	ECC32226K000	22 μF
687	C3038	B4F	ECC32226K000	22 μF
688	C6164	T12I	ECC15471J000	470 pF
689	C6172	T11J	ECC15471J000	470 pF
690	C6175	T12J	ECC15471J000	470 pF
691	C6177	B10K	ECC15471J000	470 pF
692	C6179	T11J	ECC15471J000	470 pF
693	C6184	B10J	ECC15471J000	470 pF
694	C6186	T12K	ECC15471J000	470 pF
695	C6219	B11K	ECC15471J000	470 pF
696	C6220	B11K	ECC15471J000	470 pF
697	C7039	B9K	ECC15471J000	470 pF

No.	Ref. No.	Print No.	Part No.	Description
698	C7122	T9J	ECC15471J000	470 pF
699	C7123	T9J	ECC15471J000	470 pF
700	C8049	B8G	ECC15471J000	470 pF
701	C8070	T8H	ECC15471J000	470 pF
702	C8090	T8H	ECC15471J000	470 pF
703	C8091	T8H	ECC15471J000	470 pF
704	C8190	B8A	ECC15471J000	470 pF
705	C8052	T10D	ECC22471J000	470 pF
706	C8066	T11A	ECC22471J000	470 pF
707	C8095	T12B	ECC22471J000	470 pF
708	C8100	B13A	ECC22471J000	470 pF
709	C8115	T11A	ECC22471J000	470 pF
710	R1013	T12F	ERC02473F000	47 kΩ
711	R1033	T5D	ERC02473F000	47 kΩ
712	R1047	T5B	ERC02473F000	47 kΩ
713	R2021	T6K	ERC02473F000	47 kΩ
714	R2022	T6K	ERC02473F000	47 kΩ
715	R2026	T2I	ERC02473F000	47 kΩ
716	R2027	T2I	ERC02473F000	47 kΩ
717	R2028	T2I	ERC02473F000	47 kΩ
718	R2029	T2I	ERC02473F000	47 kΩ
719	R2030	T2I	ERC02473F000	47 kΩ
720	R2031	T2H	ERC02473F000	47 kΩ
721	R2032	T2I	ERC02473F000	47 kΩ
722	R2033	B5I	ERC02473F000	47 kΩ
723	R2034	B4I	ERC02473F000	47 kΩ
724	R2035	B5I	ERC02473F000	47 kΩ
725	R2036	T4J	ERC02473F000	47 kΩ
726	R2081	T3J	ERC02473F000	47 kΩ
727	R3000	B6G	ERC02473F000	47 kΩ
728	R3004	T2F	ERC02473F000	47 kΩ
729	R3005	B6G	ERC02473F000	47 kΩ
730	R3012	T2G	ERC02473F000	47 kΩ
731	R3031	B5I	ERC02473F000	47 kΩ
732	R3053	B3G	ERC02473F000	47 kΩ
733	R3115	T2H	ERC02473F000	47 kΩ
734	R4034	T1D	ERC02473F000	47 kΩ
735	R5085	T3B	ERC02473F000	47 kΩ
736	R5087	T3B	ERC02473F000	47 kΩ

No.	Ref. No.	Print No.	Part No.	Description
737	R6044	B14J	ERC02473F000	47 kΩ
738	R8039	B8G	ERC02473F000	47 kΩ
739	R8089	T13H	ERC02473F000	47 kΩ
740	R8138	T13G	ERC02473F000	47 kΩ
741	RT8001	B11F	ERH03473J000	47 kΩ
742	L8015	T10H	ELH00471Z000	47 nH
743	L6002	B14F	ELW18470J000	47 nH
744	C2082	T4H	ECC15470J000	47 pF
745	C2083	T4I	ECC15470J000	47 pF
746	C2094	T4H	ECC15470J000	47 pF
747	C2102	T4H	ECC15470J000	47 pF
748	C2103	T4H	ECC15470J000	47 pF
749	C4059	T2D	ECC15470J000	47 pF
750	C4061	T2D	ECC15470J000	47 pF
751	C6074	B12H	ECC15470J000	47 pF
752	C6198	B10J	ECC15470J000	47 pF
753	C8109	T13B	ECC15470J000	47 pF
754	C6124	T14I	ECC18470J000	47 pF
755	C8062	T11C	ECC18470J000	47 pF
756	R8124	B7B	ERC02499AF00	49.9 Ω
757	R8125	B8B	ERC02499AF00	49.9 Ω
758	R4043	B4C	ERC05499AF00	49.9 Ω
759	R4044	B4C	ERC05499AF00	49.9 Ω
760	R4045	B4C	ERC05499AF00	49.9 Ω
761	R4046	B4C	ERC05499AF00	49.9 Ω
762	T6000	B12H	ELTBMHDKN000	变压器
763	T6001	B12G	ELTBMHDKN000	变压器
764	C6054	B12F	ECC1540AB000	4 pF
765	C6055	B12F	ECC1540AB000	4 pF
766	C6070	B12G	ECC1540AB000	4 pF
767	R6025	B14H	ERC02512J000	5.1 kΩ
768	C4082	T2K	ELW1551AJ000	5.1 nH
769	L6013	B13G	ELW1851AJ001	5.1 nH
770	L8031	T15B	ELW1851AJ001	5.1 nH
771	R6015	B13G	ERC02562J000	5.6 kΩ
772	R7037	T11K	ERC02562J000	5.6 kΩ
773	R7040	T9K	ERC02562J000	5.6 kΩ
774	R8000	T15F	ERC02562J000	5.6 kΩ
775	R8001	T14F	ERC02562J000	5.6 kΩ

No.	Ref. No.	Print No.	Part No.	Description
776	R8013	T15G	ERC02562J000	5.6 k $\Omega$
777	R8143	T8H	ERC02562J000	5.6 k $\Omega$
778	C6046	B14G	ECC1556AB000	5.6 pF
779	C6048	B14F	ECC1556AB000	5.6 pF
780	C8097	T12C	ECC2256AC000	5.6 pF
781	L8022	T8H	ECC1856AB000	5.6 pF
782	C6107	B14I	ECC18562K000	5600 pF
783	R6035	B14H	ERC02563F000	56 k $\Omega$
784	R8033	T13F	ERC02563F000	56 k $\Omega$
785	R1000	T6C	ERC02563F000	56 k $\Omega$
786	C7027	B9J	ECC15560J000	56 pF
787	C8042	B10C	ECC18560J000	56 pF
788	C6025	B12J	ECC1550AB000	5 pF
789	C6027	B12I	ECC1550AB000	5 pF
790	C6126	T14I	ECC1850AB000	5 pF
791	C6187	B10J	ECC1850AB000	5 pF
792	C6190	B10J	ECC1850AB000	5 pF
793	C6196	B10J	ECC1850AB000	5 pF
794	C7015	B9J	ECC1850AB000	5 pF
795	R8081	B9H	ERC02622J000	6.2 k $\Omega$
796	R8021	T14G	ERC026811F00	6.81 k $\Omega$
797	R8031	T14F	ERC026811F00	6.81 k $\Omega$
798	R8061	B10H	ERC026811F00	6.81 k $\Omega$
799	R6043	T14H	ERC026811F00	6.81 k $\Omega$
800	R7028	T8J	ERC026811F00	6.81 k $\Omega$
801	R8132	B10G	ERC026811F00	6.81 k $\Omega$
802	L7033	B9K	ELL1868AD000	6.8 nH
803	L7034	B9K	ELL1868AD000	6.8 nH
804	C6044	B14F	ECC1568AB000	6.8 pF
805	C6045	B12G	ECC1568AB000	6.8 pF
806	C6047	B12F	ECC1568AB000	6.8 pF
807	C6062	B12F	ECC1568AB000	6.8 pF
808	C6064	B14H	ECC1568AB000	6.8 pF
809	C6076	B12G	ECC1568AB000	6.8 pF
810	C8116	T9H	ECC1568AB000	6.8 pF
811	C8061	T9C	ECC2268AC000	6.8 pF
812	C8078	T10C	ECC2268AC000	6.8 pF
813	L6033	T14I	ELW18682K000	6.8 $\mu$ H
814	R8014	T13G	ERC02683F000	68 k $\Omega$

No.	Ref. No.	Print No.	Part No.	Description
815	R8130	B10F	ERC02683F000	68 kΩ
816	R1002	T7F	ERC02683F000	68 kΩ
817	R4012	B6I	ERC02683F000	68 kΩ
818	C3033	B5G	ECC15680J000	68 pF
819	C4064	T2B	ECC15680J000	68 pF
820	C6050	B14G	ECC1560AB000	6 pF
821	C6057	B12G	ECC1560AB000	6 pF
822	C6037	B14F	ECC1575AB000	7.5 pF
823	C6040	B14F	ECC1575AB000	7.5 pF
824	C7064	T8K	ECC1575AB000	7.5 pF
825	C7092	B9K	ECC1575AB000	7.5 pF
826	C7093	B9K	ECC1575AB000	7.5 pF
827	C6203	B10J	ECC1575AB000	7.5 pF
828	U6001	B14H	EGCS73354000	73.35 MHz
829	C6144	B14K	ECC1870AB000	7 pF
830	L7004	B9J	ELH0080AZ000	8 nH
831	R2023	T7I	ERC02822J000	8.2 kΩ
832	R5002	B2C	ERC02822J000	8.2 kΩ
833	R5019	B5D	ERC02822J000	8.2 kΩ
834	R5043	B4D	ERC02822J000	8.2 kΩ
835	R5047	B4F	ERC02822J000	8.2 kΩ
836	R5049	B6E	ERC02822J000	8.2 kΩ
837	R5050	B6E	ERC02822J000	8.2 kΩ
838	R5052	B4J	ERC02822J000	8.2 kΩ
839	D6015	B10I	EDVS05020000	Varactor diode
840	D6017	B10I	EDVS05020000	Varactor diode
841	D7002	B9I	EDVS05020000	Varactor diode
842	D7005	B9I	EDVS05020000	Varactor diode
843	Q6001	B12J	ETNS04030000	NPN transistor
844	Q6002	B13G	ETNS04030000	NPN transistor
845	L3001	B6H	ELF15601Y000	Bead
846	L3003	B5H	ELF15601Y000	Bead
847	L3004	B6I	ELF15601Y000	Bead
848	L3006	B5I	ELF15601Y000	Bead
849	L3008	B4H	ELF15601Y000	Bead
850	L3011	T4G	ELF15601Y000	Bead
851	L3012	T3G	ELF15601Y000	Bead
852	L3013	T3G	ELF15601Y000	Bead
853	L3014	T3G	ELF15601Y000	Bead

No.	Ref. No.	Print No.	Part No.	Description
854	L2005	T6J	ELF15121Y000	Bead
855	L4000	B6J	ELF15121Y000	Bead
856	L4002	B6I	ELF15121Y000	Bead
857	L4005	T2C	ELF15121Y000	Bead
858	L5001	T3D	ELF15121Y000	Bead
859	L6035	B13J	ELF15121Y000	Bead
860	L6041	B11K	ELF15121Y000	Bead
861	L6044	T12I	ELF15121Y000	Bead
862	L6046	T11J	ELF15121Y000	Bead
863	L6050	T12J	ELF15121Y000	Bead
864	L6051	T11J	ELF15121Y000	Bead
865	L6052	B10I	ELF15121Y000	Bead
866	L7000	T9J	ELF15121Y000	Bead
867	L7005	B8J	ELF15121Y000	Bead
868	L7006	B8K	ELF15121Y000	Bead
869	L7009	T8J	ELF15121Y000	Bead
870	L7010	T8J	ELF15121Y000	Bead
871	L7015	B10I	ELF15121Y000	Bead
872	L7027	T11K	ELF15121Y000	Bead
873	L7030	T11K	ELF15121Y000	Bead
874	L7031	T9J	ELF15121Y000	Bead
875	L7035	T9K	ELF15121Y000	Bead
876	L7036	T9J	ELF15121Y000	Bead
877	L7037	T10K	ELF15121Y000	Bead
878	L7038	T9K	ELF15121Y000	Bead
879	L8002	T13G	ELF15121Y000	Bead
880	L8003	T13F	ELF15121Y000	Bead
881	L8004	T13G	ELF15121Y000	Bead
882	L8006	T12H	ELF15121Y000	Bead
883	L3000	T3E	ELF18601Y000	Bead
884	L3002	B5H	ELF18601Y000	Bead
885	L3005	B5F	ELF18601Y000	Bead
886	L3007	B4F	ELF18601Y000	Bead
887	L3009	B4G	ELF18601Y000	Bead
888	L3010	B3F	ELF18601Y000	Bead
889	L3015	T2F	ELF18601Y000	Bead
890	L3017	T2G	ELF18601Y000	Bead
891	L6000	B13K	ELF18601Y000	Bead
892	L6001	B13F	ELF18601Y000	Bead

No.	Ref. No.	Print No.	Part No.	Description
893	L6022	B14H	ELF18601Y000	Bead
894	L6028	B14I	ELF18601Y000	Bead
895	L6029	B15J	ELF18601Y000	Bead
896	L6032	T15I	ELF18601Y000	Bead
897	L6038	B13K	ELF18601Y000	Bead
898	L8009	B9G	ELF18601Y000	Bead
899	L8010	B8G	ELF18601Y000	Bead
900	L8019	B9H	ELF18601Y000	Bead
901	L8028	T9H	ELF18601Y000	Bead
902	L8033	B12B	ELF18601Y000	Bead
903	L8034	T15C	ELF18601Y000	Bead
904	L8036	B9H	ELF18601Y000	Bead
905	L8037	T14C	ELF18601Y000	Bead
906	L8038	B9G	ELF18601Y000	Bead
907	L8039	B8G	ELF18601Y000	Bead
908	L1005	T6H	ELF18181Y000	Bead
909	L1006	T6H	ELF18181Y000	Bead
910	L1007	T5H	ELF18181Y000	Bead
911	L1008	T11H	ELF18181Y000	Bead
912	L1011	T12G	ELF18181Y000	Bead
913	L1012	T6G	ELF18181Y000	Bead
914	L1013	T5H	ELF18181Y000	Bead
915	L1014	T12G	ELF18181Y000	Bead
916	L1015	T12H	ELF18181Y000	Bead
917	L1016	T6F	ELF18181Y000	Bead
918	L1017	T5G	ELF18181Y000	Bead
919	L1018	T3E	ELF18181Y000	Bead
920	L1019	T4F	ELF18181Y000	Bead
921	L1020	T1J	ELF18181Y000	Bead
922	L1021	T2J	ELF18181Y000	Bead
923	L1023	T3F	ELF18181Y000	Bead
924	L1025	T2D	ELF18181Y000	Bead
925	L1027	T12H	ELF18181Y000	Bead
926	L1028	T12H	ELF18181Y000	Bead
927	L1029	T12I	ELF18181Y000	Bead
928	L1030	T12H	ELF18181Y000	Bead
929	L8013	B10G	ELF18181Y000	Bead
930	L1002	T5F	ELF18121Y000	Bead
931	L1009	T6D	ELF41600Y000	Bead



No.	Ref. No.	Print No.	Part No.	Description
932	L1010	T6C	ELF41600Y000	Bead
933	L3016	T1E	ELF41600Y000	Bead
934	L3018	T2F	ELF41600Y000	Bead
935	L3019	T2H	ELF41600Y000	Bead
936	L3020	T2G	ELF41600Y000	Bead
937	L3021	B3E	ELF41600Y000	Bead
938	L8007	B7C	ELF41600Y000	Bead
939	L8008	B7B	ELF41600Y000	Bead
940	L8011	B10C	ELF41600Y000	Bead
941	L8012	B10C	ELF41600Y000	Bead
942	U3006	T3H	ESJ014000000	Noise reduction IC
943	D8008	B8H	EDWS05040000	Zener diode
944	L1001	T5E	ELC00153N000	15 $\mu$ H
945	L1004	T6H	ELC00622N000	6.2 $\mu$ H
946	L1000	T6E	ELC00103N000	10 $\mu$ H
947	U5004	B4K	EGKS00000000	EMI filter
948	U5005	B4K	EGKS00000000	EMI filter
949	D5011	B3B	EDES13010000	ESD protection diode
950	D5012	T4A	EDES13010000	ESD protection diode
951	D5016	T5J	EDES13010000	ESD protection diode
952	D5017	B6K	EDES13010000	ESD protection diode
953	D5018	B7K	EDES13010000	ESD protection diode
954	D1002	T5F	EDES13010001	ESD protection diode
955	D2002	T3K	EDES13010001	ESD protection diode
956	D5008	T3B	EDES13010001	ESD protection diode
957	D5014	B7K	EDES13010001	ESD protection diode
958	D5020	T6J	EDES13010001	ESD protection diode
959	U2005	T5I	SMESM003000001	Memory
960	U8011	T13G	ESE010000001	Operational amplifier
961	U1004	T12G	ESH010000002	Power management IC
962	U1005	T12G	ESH010000002	Power management IC
963	U1008	T4F	ESH010000000	Power management IC
964	U3001	B5G	ESE002000001	Operational amplifier
965	U3004	B4G	ESE002000001	Operational amplifier
966	U1007	T5C	ESE010000000	Operational amplifier
967	U3002	T2G	ESE010000000	Operational amplifier
968	U2007	T5K	ESP014000000	Switch IC
969	U3005	B4I	ESP014000001	Three-way analog switch IC
970	U2001	T4K	ESP025000000	Two-way USB analog switch IC

No.	Ref. No.	Print No.	Part No.	Description
971	U2000	T3I	ESN002000005	Baseband processor IC
972	Q6003	B15H	ETNS04010000	NPN transistor
973	Q6004	B15H	ETNS04010000	NPN transistor
974	Q6013	T12J	ETNS04010000	NPN transistor
975	Q6014	T12K	ETNS04010000	NPN transistor
976	Q7006	T8J	ETNS04010000	NPN transistor
977	D5019	B4K	EDES06010002	ESD protection diode
978	D2010	B5K	EDES06010003	ESD protection diode
979	D5001	T1B	ESJ025000000	USB protection IC
980	D5013	T6K	ESJ025000000	USB protection IC
981	Q1004	T7C	ETNS04040000	NPN transistor
982	D1005	T4C	EDXS03030000	Schottky barrier diode
983	D2000	B2I	EDXS03030000	Schottky barrier diode
984	D2003	B2I	EDXS03030000	Schottky barrier diode
985	D2004	B2I	EDXS03030000	Schottky barrier diode
986	D5015	B6B	EDXS03030000	Schottky barrier diode
987	Q8006	T9H	EFAS02010000	PA MOSFET
988	Q8005	T10H	EFAS02010001	PA MOSFET
989	U1003	T6H	ESH016000004	Power management IC
990	U1002	T5H	ESH016000003	Power management IC
991	U1009	T1J	ESH016000000	Power management IC
992	U1006	T6G	ESH016000002	Power management IC
993	U1010	T4F	ESH016000002	Power management IC
994	U1011	T2D	ESH016000002	Power management IC
995	U1012	T12H	ESH016000002	Power management IC
996	U1013	T12H	ESH016000002	Power management IC
997	U2008	B2H	ESH016000002	Power management IC
998	Q5015	B5B	EFPS03020000	P-MOSFET
999	U8003	B8B	ESE028000000	Current sense amplifier
1000	U7000	T10K	ESD017000000	PLL IC
1001	D6002	B12H	ESZ017000000	Mixer IC
1002	U2006	T4J	ESR002000000	Logic IC
1003	U5000	B3D	ESR002000001	Logic IC
1004	U5001	B3H	ESR002000001	Logic IC
1005	U5002	B5I	ESR002000001	Logic IC
1006	U3003	B5H	ESN002000001	Baseband processor IC
1007	U4000	B7I	ESF002000000	D/A converter IC
1008	U2003	B2J	ESQ002000001	Reset IC
1009	U1000	T6E	ESH002000000	Power management IC

No.	Ref. No.	Print No.	Part No.	Description
1010	U1001	T6G	ESH002000001	Power management IC
1011	U3010	T3G	ESP002000000	Analog switch IC
1012	U3000	T2G	ESP002000001	Switch IC
1013	U3008	T2H	ESP002000001	Switch IC
1014	D1008	T4B	EDWS03070001	Zener diode
1015	D1004	T5C	EDWS03070000	Zener diode
1016	D2001	B2H	EDWS03070000	Zener diode
1017	Q6000	B13F	ETCS03080001	Compound transistor
1018	U501	T8J	ESY013000000	Buffer amplifier IC
1019	U2002	B2I	ESH018000000	Power management IC
1020	U4008	T2K	EGGS02447000	SAW filter
1021	U4009	T2K	ESB008000000	Bluetooth module
1022	X4001	T3K	EYBS02605002	Crystal resonator
1023	J1000	/	EJZS006000000	Power socket
1024	C1000	/	ECE00477M002	470 $\mu$ F
1025	J5000	/	EJZS026000000	D_SUB connector
1026	U3009	/	ESV024000000	Audio amplifier IC
1027	J4000	/	EMC001000000	RF connector
1028	J4001	/	EMC001000000	RF connector
1029	J5002	/	EJHS02020000	FPC connector
1030	J5001	/	EJBS02000002	Board-to-board connector
1031	J5003	/	EJMS008000000	MicroSD card connector
1032	S1000	/	MB0005000020	Heat sink
1033	W8000	/	EMH001000000	TNC antenna connector
1034	A1	/	MM0059000200	Shielding can A
1035	A2	/	MM0059000200	Shielding can A
1036	E2	/	MM0063000200	Shielding can E
1037	F1	/	MM0064000200	Shielding can F
1038	G1	/	MM0065000200	Shielding can G
1039	H1	/	MM0066000200	Shielding can H
1040	I1	/	MM0015000100	Shielding can C
1041	J1	/	MM0019000100	Shielding can F
1042	/	/	EPPH0020800F	PCB

Table 8-1 Parts List of RDR9000 TX Board

**RDR9000 RX Board**

No.	Ref. No.	Print No.	Part No.	Description
1	L8018	T10A	ERC06000F000	0 Ω
2	R2010	B2I	ERC02000J000	0 Ω
3	R2024	T2I	ERC02000J000	0 Ω
4	R2040	T5J	ERC02000J000	0 Ω
5	R2082	T4K	ERC02000J000	0 Ω
6	R5104	T4B	ERC02330J000	33 Ω
7	R5105	T4B	ERC02330J000	33 Ω
8	R5106	T4B	ERC02330J000	33 Ω
9	R5111	T3B	ERC02330J000	33 Ω
10	R5112	T4B	ERC02330J000	33 Ω
11	R5113	T5A	ERC02330J000	33 Ω
12	R5115	T2A	ERC02330J000	33 Ω
13	R5116	T2A	ERC02330J000	33 Ω
14	R5117	T3A	ERC02330J000	33 Ω
15	R5118	T3A	ERC02330J000	33 Ω
16	R5119	T4A	ERC02330J000	33 Ω
17	R5120	T4A	ERC02330J000	33 Ω
18	R5132	T5K	ERC02330J000	33 Ω
19	R5133	T6J	ERC02330J000	33 Ω
20	R5136	B6K	ERC02330J000	33 Ω
21	R5137	T5J	ERC02330J000	33 Ω
22	R5138	B5K	ERC02330J000	33 Ω
23	R5139	B5K	ERC02330J000	33 Ω
24	R5140	B5K	ERC02330J000	33 Ω
25	R5141	B4K	ERC02330J000	33 Ω
26	R5142	B6K	ERC02330J000	33 Ω
27	R5144	B2B	ERC02330J000	33 Ω
28	R5145	B5K	ERC02330J000	33 Ω
29	R5149	T3A	ERC02330J000	33 Ω
30	R5151	B5D	ERC02330J000	33 Ω
31	R8006	T14G	ERC02390J000	39 Ω
32	R8007	T15F	ERC02390J000	39 Ω
33	C6214	B11J	ERC02510F000	51Ω
34	R2025	T2I	ERC02510F000	51 Ω
35	R6027	B15H	ERC02510F000	51 Ω
36	R6037	B15J	ERC02510F000	51 Ω
37	R8005	T14G	ERC02510F000	51 Ω

No.	Ref. No.	Print No.	Part No.	Description
38	R8059	T10H	ERC02510F000	51 Ω
39	R6000	B12K	ERC03680J000	68 Ω
40	R6001	B12K	ERC03680J000	68 Ω
41	R6078	B10J	ERC02820J000	82 Ω
42	R7008	B9J	ERC02820J000	82 Ω
43	R7041	T9K	ERC02820J000	82 Ω
44	L4004	T2D	ERC02101J000	100 Ω
45	R1005	T5I	ERC02101J000	100 Ω
46	R1042	T4C	ERC02101J000	100 Ω
47	R2064	T4J	ERC02101J000	100 Ω
48	R2065	T4J	ERC02101J000	100 Ω
49	R2066	B4J	ERC02101J000	100 Ω
50	R2067	T4J	ERC02101J000	100 Ω
51	R2071	B3J	ERC02101J000	100 Ω
52	R2073	T4J	ERC02101J000	100 Ω
53	R2080	T3K	ERC02101J000	100 Ω
54	R2084	T2J	ERC02101J000	100 Ω
55	R2085	T2J	ERC02101J000	100 Ω
56	R2086	T3J	ERC02101J000	100 Ω
57	R2089	B1H	ERC02101J000	100 Ω
58	R2092	T2J	ERC02101J000	100 Ω
59	R2105	T7I	ERC02101J000	100 Ω
60	R3002	B5G	ERC02101J000	100 Ω
61	R3019	B4F	ERC02101J000	100 Ω
62	R3029	B3F	ERC02101J000	100 Ω
63	R3051	B3F	ERC02101J000	100 Ω
64	R3090	T4H	ERC02101J000	100 Ω
65	R3091	T4H	ERC02101J000	100 Ω
66	R3092	T2E	ERC02101J000	100 Ω
67	R3096	T2G	ERC02101J000	100 Ω
68	R4005	B6J	ERC02101J000	100 Ω
69	R5123	T5C	ERC02101J000	100 Ω
70	R5131	T5J	ERC02101J000	100 Ω
71	R6020	B12H	ERC02101J000	100 Ω
72	R6060	B10K	ERC02101J000	100 Ω
73	R6069	B12H	ERC02101J000	100 Ω
74	R6084	B11K	ERC02101J000	100 Ω
75	R7006	B9K	ERC02101J000	100 Ω
76	R7017	B8K	ERC02101J000	100 Ω

No.	Ref. No.	Print No.	Part No.	Description
77	R8009	T14G	ERC02101J000	100 Ω
78	R8080	T8H	ERC02101J000	100 Ω
79	R6005	B13F	ERC03101J000	100 Ω
80	R8040	T9F	ERC06101J000	100 Ω
81	R8045	T9F	ERC06101J000	100 Ω
82	R8055	T10F	ERC06101J000	100 Ω
83	R8060	T10F	ERC06101J000	100 Ω
84	R8075	T15D	ERC03121J000	120 Ω
85	R8004	T14F	ERC02151J000	150 Ω
86	R8076	T15D	ERC03151J000	150 Ω
87	R8082	B9F	ERC06151J000	150 Ω
88	R8083	B9F	ERC06151J000	150 Ω
89	R1030	T7D	ERC20151J000	150 Ω
90	R8057	T8H	ERC02181J000	180 Ω
91	R8058	T8H	ERC02181J000	180 Ω
92	R8077	T15B	ERC03181J000	180 Ω
93	R8078	T15B	ERC03181J000	180 Ω
94	R3042	B2H	ERC02301J000	300 Ω
95	R6040	T15H	ERC02301J000	300 Ω
96	R6072	B11K	ERC02301J000	300 Ω
97	R6073	B11K	ERC02301J000	300 Ω
98	R5009	B2C	ERC02331J000	300 Ω
99	R5024	B4D	ERC02331J000	300 Ω
100	R5046	B4D	ERC02331J000	300 Ω
101	R5071	B4D	ERC02331J000	300 Ω
102	R5086	B4E	ERC02331J000	300 Ω
103	R1020	T6C	ERC12331J000	300 Ω
104	R6046	T15I	ERC02391J000	390 Ω
105	R6009	B13F	ERC02511J000	510 Ω
106	R6057	T12J	ERC02511J000	510 Ω
107	R6058	T12J	ERC02511J000	510 Ω
108	R6062	T11J	ERC02511J000	510 Ω
109	R6063	T11J	ERC02511J000	510 Ω
110	R3109	B2H	ERC02561J000	560 Ω
111	R1019	B7C	ERC02681J000	680 Ω
112	R6002	B13F	ERC03681J000	680 Ω
113	R6051	B14K	ERC02821J000	820 Ω
114	RN6000	B14J	ERP02000J000	0 Ω*4
115	C1009	T5E	ECC15103K001	0.01 μF

No.	Ref. No.	Print No.	Part No.	Description
116	C1028	T6H	ECC15103K001	0.01 $\mu$ F
117	C1057	T6D	ECC15103K001	0.01 $\mu$ F
118	C2013	B3I	ECC15103K001	0.01 $\mu$ F
119	C2017	B3I	ECC15103K001	0.01 $\mu$ F
120	C2043	B1J	ECC15103K001	0.01 $\mu$ F
121	C2051	B3J	ECC15103K001	0.01 $\mu$ F
122	C2053	B3J	ECC15103K001	0.01 $\mu$ F
123	C2059	T1I	ECC15103K001	0.01 $\mu$ F
124	C2068	T5J	ECC15103K001	0.01 $\mu$ F
125	C3007	T3E	ECC15103K001	0.01 $\mu$ F
126	C3009	B6G	ECC15103K001	0.01 $\mu$ F
127	C3021	B5H	ECC15103K001	0.01 $\mu$ F
128	C3024	B5I	ECC15103K001	0.01 $\mu$ F
129	C3035	B5I	ECC15103K001	0.01 $\mu$ F
130	C3074	B4H	ECC15103K001	0.01 $\mu$ F
131	C3076	T3H	ECC15103K001	0.01 $\mu$ F
132	C3093	T3H	ECC15103K001	0.01 $\mu$ F
133	C4010	B7J	ECC15103K001	0.01 $\mu$ F
134	C4013	B7J	ECC15103K001	0.01 $\mu$ F
135	C6078	B14H	ECC15103K001	0.01 $\mu$ F
136	C6083	B15H	ECC15103K001	0.01 $\mu$ F
137	C6087	B15H	ECC15103K001	0.01 $\mu$ F
138	C6088	B15H	ECC15103K001	0.01 $\mu$ F
139	C6098	B14I	ECC15103K001	0.01 $\mu$ F
140	C6102	B14I	ECC15103K001	0.01 $\mu$ F
141	C6104	B14I	ECC15103K001	0.01 $\mu$ F
142	C6108	B14I	ECC15103K001	0.01 $\mu$ F
143	C6113	B14J	ECC15103K001	0.01 $\mu$ F
144	C6130	B15J	ECC15103K001	0.01 $\mu$ F
145	C6139	B14K	ECC15103K001	0.01 $\mu$ F
146	C7108	T10K	ECC15103K001	0.01 $\mu$ F
147	C8024	T14G	ECC15103K001	0.01 $\mu$ F
148	C8030	T13F	ECC15103K001	0.01 $\mu$ F
149	C8130	T9H	ECC15103K001	0.01 $\mu$ F
150	C8178	T13G	ECC15103K001	0.01 $\mu$ F
151	C1003	T6F	ECC18103K000	0.01 $\mu$ F
152	C6142	B14K	ECC18103K000	0.01 $\mu$ F
153	C6059	B12G	ECC15223K000	0.022 $\mu$ F
154	C6063	B15F	ECC15223K000	0.022 $\mu$ F

No.	Ref. No.	Print No.	Part No.	Description
155	C6109	B14J	ECC18223K000	0.022 $\mu$ F
156	C8038	B7B	ECC18223K000	0.022 $\mu$ F
157	C6183	B10J	ECC15473K000	0.047 $\mu$ F
158	C7013	B9J	ECC15473K000	0.047 $\mu$ F
159	C1042	B6C	ECC15104K000	0.1 $\mu$ F
160	C1047	T12H	ECC15104K000	0.1 $\mu$ F
161	C1048	T5G	ECC15104K000	0.1 $\mu$ F
162	C1049	T5G	ECC15104K000	0.1 $\mu$ F
163	C1051	T12H	ECC15104K000	0.1 $\mu$ F
164	C1053	T11G	ECC15104K000	0.1 $\mu$ F
165	C1056	T6H	ECC15104K000	0.1 $\mu$ F
166	C1058	T12G	ECC15104K000	0.1 $\mu$ F
167	C1060	T12G	ECC15104K000	0.1 $\mu$ F
168	C1061	T6F	ECC15104K000	0.1 $\mu$ F
169	C1065	T12H	ECC15104K000	0.1 $\mu$ F
170	C1068	T6G	ECC15104K000	0.1 $\mu$ F
171	C1069	T6F	ECC15104K000	0.1 $\mu$ F
172	C1074	T4E	ECC15104K000	0.1 $\mu$ F
173	C1075	T3F	ECC15104K000	0.1 $\mu$ F
174	C1076	T1J	ECC15104K000	0.1 $\mu$ F
175	C1077	T1J	ECC15104K000	0.1 $\mu$ F
176	C1080	T4F	ECC15104K000	0.1 $\mu$ F
177	C1083	T2J	ECC15104K000	0.1 $\mu$ F
178	C1086	T4F	ECC15104K000	0.1 $\mu$ F
179	C1091	T2D	ECC15104K000	0.1 $\mu$ F
180	C1095	T3F	ECC15104K000	0.1 $\mu$ F
181	C1096	T3D	ECC15104K000	0.1 $\mu$ F
182	C1097	T3D	ECC15104K000	0.1 $\mu$ F
183	C1099	T5C	ECC15104K000	0.1 $\mu$ F
184	C1101	T12H	ECC15104K000	0.1 $\mu$ F
185	C1102	T12H	ECC15104K000	0.1 $\mu$ F
186	C1104	T5C	ECC15104K000	0.1 $\mu$ F
187	C1107	T12H	ECC15104K000	0.1 $\mu$ F
188	C1109	T12H	ECC15104K000	0.1 $\mu$ F
189	C1111	T12I	ECC15104K000	0.1 $\mu$ F
190	C1114	T12H	ECC15104K000	0.1 $\mu$ F
191	C2000	B3I	ECC15104K000	0.1 $\mu$ F
192	C2004	B3I	ECC15104K000	0.1 $\mu$ F
193	C2008	B3I	ECC15104K000	0.1 $\mu$ F



No.	Ref. No.	Print No.	Part No.	Description
194	C2012	B3I	ECC15104K000	0.1 $\mu$ F
195	C2016	B3I	ECC15104K000	0.1 $\mu$ F
196	C2020	B3I	ECC15104K000	0.1 $\mu$ F
197	C2024	B3I	ECC15104K000	0.1 $\mu$ F
198	C2028	B3I	ECC15104K000	0.1 $\mu$ F
199	C2044	B2J	ECC15104K000	0.1 $\mu$ F
200	C2049	B3I	ECC15104K000	0.1 $\mu$ F
201	C2050	B3J	ECC15104K000	0.1 $\mu$ F
202	C2052	B3I	ECC15104K000	0.1 $\mu$ F
203	C2056	T6J	ECC15104K000	0.1 $\mu$ F
204	C2058	T1I	ECC15104K000	0.1 $\mu$ F
205	C2067	T5J	ECC15104K000	0.1 $\mu$ F
206	C2073	T4J	ECC15104K000	0.1 $\mu$ F
207	C2112	T5K	ECC15104K000	0.1 $\mu$ F
208	C2123	T3J	ECC15104K000	0.1 $\mu$ F
209	C2124	B3J	ECC15104K000	0.1 $\mu$ F
210	C2125	B3J	ECC15104K000	0.1 $\mu$ F
211	C2126	B3I	ECC15104K000	0.1 $\mu$ F
212	C2127	B3I	ECC15104K000	0.1 $\mu$ F
213	C2128	B3I	ECC15104K000	0.1 $\mu$ F
214	C2154	B2H	ECC15104K000	0.1 $\mu$ F
215	C2158	T4K	ECC15104K000	0.1 $\mu$ F
216	C3002	T2G	ECC15104K000	0.1 $\mu$ F
217	C3004	T3E	ECC15104K000	0.1 $\mu$ F
218	C3006	T2E	ECC15104K000	0.1 $\mu$ F
219	C3010	B5G	ECC15104K000	0.1 $\mu$ F
220	C3012	B5H	ECC15104K000	0.1 $\mu$ F
221	C3013	T2F	ECC15104K000	0.1 $\mu$ F
222	C3015	T2F	ECC15104K000	0.1 $\mu$ F
223	C3039	B5H	ECC15104K000	0.1 $\mu$ F
224	C3046	B2H	ECC15104K000	0.1 $\mu$ F
225	C3060	B5H	ECC15104K000	0.1 $\mu$ F
226	C3061	B3G	ECC15104K000	0.1 $\mu$ F
227	C3062	B4I	ECC15104K000	0.1 $\mu$ F
228	C3083	T4G	ECC15104K000	0.1 $\mu$ F
229	C3084	T4G	ECC15104K000	0.1 $\mu$ F
230	C3085	T4G	ECC15104K000	0.1 $\mu$ F
231	C3086	T4G	ECC15104K000	0.1 $\mu$ F
232	C3089	T3H	ECC15104K000	0.1 $\mu$ F

No.	Ref. No.	Print No.	Part No.	Description
233	C3094	T3H	ECC15104K000	0.1 $\mu$ F
234	C3095	T3G	ECC15104K000	0.1 $\mu$ F
235	C3099	T5G	ECC15104K000	0.1 $\mu$ F
236	C3107	T3H	ECC15104K000	0.1 $\mu$ F
237	C3109	T3H	ECC15104K000	0.1 $\mu$ F
238	C3111	T2G	ECC15104K000	0.1 $\mu$ F
239	C3112	T2H	ECC15104K000	0.1 $\mu$ F
240	C3137	T3G	ECC15104K000	0.1 $\mu$ F
241	C4017	T10K	ECC15104K000	0.1 $\mu$ F
242	C4019	B6I	ECC15104K000	0.1 $\mu$ F
243	C4020	T9J	ECC15104K000	0.1 $\mu$ F
244	C4025	T10J	ECC15104K000	0.1 $\mu$ F
245	C4066	T2C	ECC15104K000	0.1 $\mu$ F
246	C4070	T3J	ECC15104K000	0.1 $\mu$ F
247	C4071	T2K	ECC15104K000	0.1 $\mu$ F
248	C4072	T2K	ECC15104K000	0.1 $\mu$ F
249	C4076	T2K	ECC15104K000	0.1 $\mu$ F
250	C4080	T2K	ECC15104K000	0.1 $\mu$ F
251	C4083	T3J	ECC15104K000	0.1 $\mu$ F
252	C5003	B2D	ECC15104K000	0.1 $\mu$ F
253	C5007	B3H	ECC15104K000	0.1 $\mu$ F
254	C5018	B3B	ECC15104K000	0.1 $\mu$ F
255	C5065	B5I	ECC15104K000	0.1 $\mu$ F
256	C6011	B13F	ECC15104K000	0.1 $\mu$ F
257	C6016	B13F	ECC15104K000	0.1 $\mu$ F
258	C6031	B13G	ECC15104K000	0.1 $\mu$ F
259	C6079	B14H	ECC15104K000	0.1 $\mu$ F
260	C6084	B14H	ECC15104K000	0.1 $\mu$ F
261	C6089	B15H	ECC15104K000	0.1 $\mu$ F
262	C6099	B14I	ECC15104K000	0.1 $\mu$ F
263	C6101	B14J	ECC15104K000	0.1 $\mu$ F
264	C6103	B14I	ECC15104K000	0.1 $\mu$ F
265	C6105	B15J	ECC15104K000	0.1 $\mu$ F
266	C6106	B15I	ECC15104K000	0.1 $\mu$ F
267	C6112	T14H	ECC15104K000	0.1 $\mu$ F
268	C6115	T15H	ECC15104K000	0.1 $\mu$ F
269	C6121	T15I	ECC15104K000	0.1 $\mu$ F
270	C6125	B15J	ECC15104K000	0.1 $\mu$ F
271	C6128	B15J	ECC15104K000	0.1 $\mu$ F

No.	Ref. No.	Print No.	Part No.	Description
272	C6131	B14J	ECC15104K000	0.1 $\mu$ F
273	C6135	B14J	ECC15104K000	0.1 $\mu$ F
274	C6140	B14K	ECC15104K000	0.1 $\mu$ F
275	C6165	T12I	ECC15104K000	0.1 $\mu$ F
276	C6171	T11J	ECC15104K000	0.1 $\mu$ F
277	C6176	T11J	ECC15104K000	0.1 $\mu$ F
278	C7008	B9K	ECC15104K000	0.1 $\mu$ F
279	C7023	B8K	ECC15104K000	0.1 $\mu$ F
280	C7028	B8K	ECC15104K000	0.1 $\mu$ F
281	C7032	T8J	ECC15104K000	0.1 $\mu$ F
282	C7033	T8J	ECC15104K000	0.1 $\mu$ F
283	C7037	T8J	ECC15104K000	0.1 $\mu$ F
284	C7041	T8J	ECC15104K000	0.1 $\mu$ F
285	C7078	T11K	ECC15104K000	0.1 $\mu$ F
286	C7090	T9K	ECC15104K000	0.1 $\mu$ F
287	C7100	T10J	ECC15104K000	0.1 $\mu$ F
288	C7103	T10K	ECC15104K000	0.1 $\mu$ F
289	C7104	T10K	ECC15104K000	0.1 $\mu$ F
290	C7107	T10K	ECC15104K000	0.1 $\mu$ F
291	C7109	T9K	ECC15104K000	0.1 $\mu$ F
292	C8007	T13G	ECC15104K000	0.1 $\mu$ F
293	C8019	T14G	ECC15104K000	0.1 $\mu$ F
294	C8022	T13F	ECC15104K000	0.1 $\mu$ F
295	C8027	B11F	ECC15104K000	0.1 $\mu$ F
296	C8032	T13F	ECC15104K000	0.1 $\mu$ F
297	C8035	T13H	ECC15104K000	0.1 $\mu$ F
298	C8102	T9H	ECC15104K000	0.1 $\mu$ F
299	C1004	T6D	ECC18104K000	0.1 $\mu$ F
300	C1005	T7E	ECC18104K000	0.1 $\mu$ F
301	C1015	T6C	ECC18104K000	0.1 $\mu$ F
302	C1040	T5C	ECC18104K000	0.1 $\mu$ F
303	C1108	T5C	ECC18104K000	0.1 $\mu$ F
304	C1115	T4C	ECC18104K000	0.1 $\mu$ F
305	C3151	B1E	ECC18104K000	0.1 $\mu$ F
306	C8037	B7B	ECC18104K000	0.1 $\mu$ F
307	C8040	B10B	ECC18104K000	0.1 $\mu$ F
308	C8055	T10H	ECC18104K000	0.1 $\mu$ F
309	C1014	T6C	ECC21224K000	0.22 $\mu$ F
310	C6111	B13I	ECC21224K000	0.22 $\mu$ F

No.	Ref. No.	Print No.	Part No.	Description
311	C2001	B3I	ECC15224K000	0.22 $\mu$ F
312	C2005	B3I	ECC15224K000	0.22 $\mu$ F
313	C2009	B3I	ECC15224K000	0.22 $\mu$ F
314	C2021	B3I	ECC15224K000	0.22 $\mu$ F
315	C2025	B3I	ECC15224K000	0.22 $\mu$ F
316	C2029	B3I	ECC15224K000	0.22 $\mu$ F
317	C2045	B2I	ECC15224K000	0.22 $\mu$ F
318	C3016	B6H	ECC15224K000	0.22 $\mu$ F
319	C3025	B5I	ECC15224K000	0.22 $\mu$ F
320	C3090	T3G	ECC15224K000	0.22 $\mu$ F
321	C3098	T3G	ECC15224K000	0.22 $\mu$ F
322	C3100	T3G	ECC15224K000	0.22 $\mu$ F
323	C3130	T2G	ECC15224K000	0.22 $\mu$ F
324	C3120	T2F	ECC15474K000	0.47 $\mu$ F
325	C3121	T2G	ECC15474K000	0.47 $\mu$ F
326	C3133	T2F	ECC15474K000	0.47 $\mu$ F
327	C4074	T2K	ECC15474K000	0.47 $\mu$ F
328	C4081	T2K	ECC15474K000	0.47 $\mu$ F
329	C6178	B10K	ECC15474K000	0.47 $\mu$ F
330	C6149	B14K	ECC21684K000	0.68 $\mu$ F
331	C7113	T9K	ECC1575BB001	0.75 pF
332	R6004	B13J	ERC02122F000	1.2 k $\Omega$
333	R6006	B12J	ERC02122F000	1.2 k $\Omega$
334	R6017	B13G	ERC02122F000	1.2 k $\Omega$
335	R6023	B14H	ERC02122F000	1.2 k $\Omega$
336	R6041	B14J	ERC02122F000	1.2 k $\Omega$
337	R6061	T13B	ERC02152J000	1.5 k $\Omega$
338	C4113	T2C	ECC1515AB000	1.5 pF
339	C7076	B10K	ECC1515AB000	1.5 pF
340	R6048	B14K	ERC02182J000	1.8 k $\Omega$
341	C6215	B11K	ECC1518AB000	1.8 pF
342	C8093	T12D	ECC2218AC000	1.8 pF
343	C8096	T12B	ECC2218AC000	1.8 pF
344	C1007	T6E	ECC15102K000	1000 pF
345	C2034	T7I	ECC15102K000	1000 pF
346	C2035	T6I	ECC15102K000	1000 pF
347	C2042	T6I	ECC15102K000	1000 pF
348	C2060	T1I	ECC15102K000	1000 pF
349	C2161	T7I	ECC15102K000	1000 pF

No.	Ref. No.	Print No.	Part No.	Description
350	R4004	B7I	ERC02104F000	100 kΩ
351	R4037	T2K	ERC02104F000	100 kΩ
352	R5124	T5B	ERC02104F000	100 kΩ
353	R6047	B15K	ERC02104F000	100 kΩ
354	R7001	B8J	ERC02104F000	100 kΩ
355	R7002	B9J	ERC02104F000	100 kΩ
356	R8010	T14G	ERC02104F000	100 kΩ
357	R8011	T14G	ERC02104F000	100 kΩ
358	R8015	T14G	ERC02104F000	100 kΩ
359	R8131	T13G	ERC02104F000	100 kΩ
360	R8148	T14G	ERC02104F000	100 kΩ
361	R8149	T14G	ERC02104F000	100 kΩ
362	L6026	B15H	ELW18101G000	100 nH
363	L6054	T12J	ELW18101G000	100 nH
364	L6056	T12K	ELW18101G000	100 nH
365	L7012	T8J	ELW18101G000	100 nH
366	C1006	T7E	ECC15101J000	100 pF
367	C1044	T12G	ECC15101J000	100 pF
368	C1062	T12G	ECC15101J000	100 pF
369	C1071	T3E	ECC15101J000	100 pF
370	C2032	T4K	ECC15101J000	100 pF
371	C2077	T4J	ECC15101J000	100 pF
372	C2081	T4H	ECC15101J000	100 pF
373	C2086	T4H	ECC15101J000	100 pF
374	C2087	T3J	ECC15101J000	100 pF
375	C2089	T3J	ECC15101J000	100 pF
376	C2092	T5I	ECC15101J000	100 pF
377	C2093	T4I	ECC15101J000	100 pF
378	C2109	B4J	ECC15101J000	100 pF
379	C2110	T4J	ECC15101J000	100 pF
380	C2111	T4J	ECC15101J000	100 pF
381	C2119	T4J	ECC15101J000	100 pF
382	C2121	B4J	ECC15101J000	100 pF
383	C2122	T5K	ECC15101J000	100 pF
384	C3142	T3G	ECC15101J000	100 pF
385	C3143	T3F	ECC15101J000	100 pF
386	C3144	T3G	ECC15101J000	100 pF
387	C3145	T3F	ECC15101J000	100 pF
388	C4065	T2C	ECC15101J000	100 pF

No.	Ref. No.	Print No.	Part No.	Description
389	C5000	B2D	ECC15101J000	100 pF
390	C5001	B2D	ECC15101J000	100 pF
391	C5002	B2D	ECC15101J000	100 pF
392	C5004	B3H	ECC15101J000	100 pF
393	C5005	B3H	ECC15101J000	100 pF
394	C5006	B3H	ECC15101J000	100 pF
395	C5011	B5I	ECC15101J000	100 pF
396	C5019	T4A	ECC15101J000	100 pF
397	C5025	T5A	ECC15101J000	100 pF
398	C5030	T2B	ECC15101J000	100 pF
399	C5032	T4B	ECC15101J000	100 pF
400	C5033	T4B	ECC15101J000	100 pF
401	C5034	T4B	ECC15101J000	100 pF
402	C5035	T4B	ECC15101J000	100 pF
403	R5069	B3D	ERC02103F000	10 kΩ
404	R5083	B3D	ERC02103F000	10 kΩ
405	R5093	T1B	ERC02103F000	10 kΩ
406	R5095	B5J	ERC02103F000	10 kΩ
407	R5114	B3B	ERC02103F000	10 kΩ
408	R5122	T5C	ERC02103F000	10 kΩ
409	R6011	B14F	ERC02103F000	10 kΩ
410	R6019	B14G	ERC02103F000	10 kΩ
411	R6021	B12G	ERC02103F000	10 kΩ
412	R6026	B12F	ERC02103F000	10 kΩ
413	R6028	B12F	ERC02103F000	10 kΩ
414	R6031	B12G	ERC02103F000	10 kΩ
415	R6032	B14G	ERC02103F000	10 kΩ
416	R6038	T14H	ERC02103F000	10 kΩ
417	R6050	B14K	ERC02103F000	10 kΩ
418	R6081	B12F	ERC02103F000	10 kΩ
419	R6082	B14F	ERC02103F000	10 kΩ
420	R6083	B14F	ERC02103F000	10 kΩ
421	R7023	B10I	ERC02103F000	10 kΩ
422	R7045	T10K	ERC02103F000	10 kΩ
423	R7048	B8J	ERC02103F000	10 kΩ
424	R7051	B8I	ERC02103F000	10 kΩ
425	R8026	T13F	ERC02103F000	10 kΩ
426	R8032	T14F	ERC02103F000	10 kΩ
427	R8133	T14G	ERC02103F000	10 kΩ

No.	Ref. No.	Print No.	Part No.	Description
428	R8139	T13G	ERC02103F000	10 kΩ
429	R8140	T13F	ERC02103F000	10 kΩ
430	R8142	T13G	ERC02103F000	10 kΩ
431	R8144	T13G	ERC02103F000	10 kΩ
432	R1027	T5D	ERC03103J000	10 kΩ
433	L6011	B14G	ELW18100G000	10 nH
434	L7017	T8J	ELW18100G000	10 nH
435	R8073	T8H	ELW18100G000	10 nH
436	L7024	T8I	ELW18100G000	10 nH
437	L7025	T8I	ELW18100G000	10 nH
438	C1024	T6G	ECC15100G000	10 pF
439	C3075	T4G	ECC15100G000	10 pF
440	C3040	B4G	ECC18105K000	1 μF
441	C3051	B4G	ECC18105K000	1 μF
442	C3056	B3G	ECC18105K000	1 μF
443	C3059	B4G	ECC18105K000	1 μF
444	C3067	B3F	ECC18105K000	1 μF
445	C3138	T3G	ECC18105K000	1 μF
446	C3139	T3F	ECC18105K000	1 μF
447	C3140	T3G	ECC18105K000	1 μF
448	C3141	T3F	ECC18105K000	1 μF
449	C4009	B6J	ECC18105K000	1 μF
450	C4016	B6I	ECC18105K000	1 μF
451	C6001	B12K	ECC18105K000	1 μF
452	C7000	B8J	ECC18105K000	1 μF
453	C8048	B8G	ECC18105K000	1 μF
454	C8134	B8F	ECC18105K000	1 μF
455	L6037	T15I	ELL18102K000	1 μH
456	R1023	T6D	ERC02222F000	2.2 kΩ
457	R1024	T6C	ERC02222F000	2.2 kΩ
458	R2001	T7I	ERC02222F000	2.2 kΩ
459	R6016	B13G	ERC02222F000	2.2 kΩ
460	R6033	B14H	ERC02222F000	2.2 kΩ
461	R7035	B10K	ERC02222F000	2.2 kΩ
462	R7047	T9J	ERC02222F000	2.2 kΩ
463	R8008	T13G	ERC02222F000	2.2 kΩ
464	R8127	B8B	ERC02222F000	2.2 kΩ
465	L4013	T2B	ELW1822AG000	2.2 nH
466	L4014	T2C	ELW1822AG000	2.2 nH

No.	Ref. No.	Print No.	Part No.	Description
467	C8099	T13E	ECC2222AC000	2.2 pF
468	C1037	T5H	ECC18225K000	2.2 μF
469	C1046	T12H	ECC18225K000	2.2 μF
470	C1055	T6H	ECC18225K000	2.2 μF
471	C1064	T12H	ECC18225K000	2.2 μF
472	C1067	T6G	ECC18225K000	2.2 μF
473	C1073	T4E	ECC18225K000	2.2 μF
474	C1082	T2J	ECC18225K000	2.2 μF
475	C1090	T2D	ECC18225K000	2.2 μF
476	C1094	T4F	ECC18225K000	2.2 μF
477	C1106	T12H	ECC18225K000	2.2 μF
478	C1113	T12I	ECC18225K000	2.2 μF
479	C3022	B5H	ECC18225K000	2.2 μF
480	C3034	B5I	ECC18225K000	2.2 μF
481	C3081	T3G	ECC18225K000	2.2 μF
482	C3082	T3G	ECC18225K000	2.2 μF
483	R1057	T4C	ERC02203F000	20 kΩ
484	R3013	B6G	ERC02203F000	20 kΩ
485	R3018	B5G	ERC02203F000	20 kΩ
486	R5058	B5B	ERC02203F000	20 kΩ
487	R6029	B14H	ERC02203F000	20 kΩ
488	R8037	T13F	ERC02203F000	20 kΩ
489	C2046	T3J	ECC15200J000	20 pF
490	C2048	T3J	ECC15200J000	20 pF
491	C2054	B3J	ECC15200J000	20 pF
492	C2055	B3J	ECC15200J000	20 pF
493	C6127	T14I	ECC15200J000	20 pF
494	C6208	T11J	ECC15200J000	20 pF
495	C7010	B9K	ECC15200J000	20 pF
496	C7087	B9K	ECC15200J000	20 pF
497	C8071	T8H	ECC15200J000	20 pF
498	C4004	B6J	ECC15222K000	2200 pF
499	C4006	B6J	ECC15222K000	2200 pF
500	C6123	B15J	ECC15222K000	2200 pF
501	R8029	T14F	ERC02224J000	220 kΩ
502	C2036	T6I	ECC15221J000	220 pF
503	C2037	T6I	ECC15221J000	220 pF
504	C2063	T4I	ECC15221J000	220 pF
505	C2064	T4I	ECC15221J000	220 pF



No.	Ref. No.	Print No.	Part No.	Description
506	C2065	B4I	ECC15221J000	220 pF
507	C2070	T4I	ECC15221J000	220 pF
508	C2071	T4J	ECC15221J000	220 pF
509	C2072	T4J	ECC15221J000	220 pF
510	C2074	B4I	ECC15221J000	220 pF
511	C2075	T4I	ECC15221J000	220 pF
512	C2076	T4I	ECC15221J000	220 pF
513	C2078	B4J	ECC15221J000	220 pF
514	C2079	T4I	ECC15221J000	220 pF
515	C2080	T4J	ECC15221J000	220 pF
516	C2084	B4J	ECC15221J000	220 pF
517	C2085	T3H	ECC15221J000	220 pF
518	C2088	T4J	ECC15221J000	220 pF
519	C2090	B3J	ECC15221J000	220 pF
520	C3036	B4G	ECC32226K000	22 $\mu$ F
521	C3038	B4F	ECC32226K000	22 $\mu$ F
522	C3045	B2H	ECC32226K000	22 $\mu$ F
523	C3113	B1E	ECC32226K000	22 $\mu$ F
524	C5017	B3B	ECC32226K000	22 $\mu$ F
525	C8043	B10B	ECC32226M001	22 $\mu$ F
526	L6017	B12G	ELW18271G000	270 nH
527	L6027	B14I	ELL18271K000	270 nH
528	C2003	B3I	ECC15271J001	270 pF
529	C2007	B4I	ECC15271J001	270 pF
530	C2011	B3I	ECC15271J001	270 pF
531	C2015	B3I	ECC15271J001	270 pF
532	C2019	B3I	ECC15271J001	270 pF
533	C2023	B3I	ECC15271J001	270 pF
534	C2027	B3I	ECC15271J001	270 pF
535	C2031	B3I	ECC15271J001	270 pF
536	C5009	B5B	ECC15271J001	270 pF
537	C5041	B3K	ECC15271J001	270 pF
538	C5042	B3K	ECC15271J001	270 pF
539	C5043	B3K	ECC15271J001	270 pF
540	C6132	B13J	ECC15271J001	270 pF
541	C6133	B13J	ECC15271J001	270 pF
542	C6134	B13J	ECC15271J001	270 pF
543	C7115	T9J	ECC15271J001	270 pF
544	C8026	B11F	ECC15271J001	270 pF

No.	Ref. No.	Print No.	Part No.	Description
545	C8029	B11F	ECC15271J001	270 pF
546	C8033	T13F	ECC15271J001	270 pF
547	C8036	T13F	ECC15271J001	270 pF
548	C8173	T13G	ECC15271J001	270 pF
549	C8051	T8F	ECC18271J000	270 pF
550	C8082	T10F	ECC18271J000	270 pF
551	R1039	T5C	ERC02273J000	27 kΩ
552	L6003	B13J	ELW18270J000	27 nH
553	C6094	B14H	ECC15270J000	27 pF
554	C6095	B14H	ECC15270J000	27 pF
555	C7083	B10K	ECC15270J000	27 pF
556	C6204	B10J	ECC15270J000	27 pF
557	R8129	T14G	ERC02202J000	2 kΩ
558	C7074	B10K	ECC1520AB000	2 pF
559	C7088	B9K	ECC1520AB000	2 pF
560	Q8001	T13G	ETPS03060000	PNP transistor
561	Q8007	T13H	ETPS03060000	PNP transistor
562	Q5011	B6B	ETPS01010000	PNP transistor
563	Q1001	T12F	ETPS03070000	PNP transistor
564	Q5012	B2B	ETPS03070000	PNP transistor
565	Q8002	B8G	ETPS03070000	PNP transistor
566	Q6006	T15I	ETNS06010000	NPN transistor
567	Q5018	B5B	ETNS03010000	NPN transistor
568	Q6005	T15H	ETNS03010000	NPN transistor
569	Q6008	B11K	ETNS03010000	NPN transistor
570	Q7001	T9J	ETNS03010000	NPN transistor
571	Q7007	T8J	ETNS03010000	NPN transistor
572	Q8000	T13G	ETNS03010000	NPN transistor
573	Q3020	B2E	ETNS03010000	NPN transistor
574	Q6012	B10J	ETNS06010001	NPN transistor
575	Q7003	B9J	ETNS06010001	NPN transistor
576	Q1010	T4B	EFNS06010000	N-MOSFET
577	Q3003	B3G	EFNS06010000	N-MOSFET
578	Q3005	B3G	EFNS06010000	N-MOSFET
579	Q5016	B5B	EFNS06010000	N-MOSFET
580	Q5017	B5B	EFNS06010000	N-MOSFET
581	Q8010	B10F	EFNS06010000	N-MOSFET
582	Q8011	T8H	EFNS06010000	N-MOSFET
583	D1000	T6B	EDES09040000	TVS diode

No.	Ref. No.	Print No.	Part No.	Description
584	R5055	B5A	ERC02332J000	3.3 kΩ
585	R6059	B10J	ERC02332J000	3.3 kΩ
586	R8088	B9F	ERC02332J000	3.3 kΩ
587	R8145	B10F	ERC02332J000	3.3 kΩ
588	C7018	B9J	ECC1833AB000	3.3 pF
589	C7026	B9J	ECC1833AB000	3.3 pF
590	L6039	B14K	ELW21332K000	3.3 μH
591	C6029	B13F	ECC1536AB000	3.6 pF
592	C6197	B10J	ECC1836AB000	3.6 pF
593	C7021	B10J	ECC1836AB000	3.6 pF
594	R8030	B11F	ERC02392J000	3.9 kΩ
595	R3037	B4G	ERC02303J000	30 kΩ
596	R3041	B3G	ERC02303J000	30 kΩ
597	R3098	T3G	ERC02303J000	30 kΩ
598	R3099	T3F	ERC02303J000	30 kΩ
599	R3100	T3G	ERC02303J000	30 kΩ
600	R3101	T3F	ERC02303J000	30 kΩ
601	R6030	B15H	ERC02303J000	30 kΩ
602	R6034	B15H	ERC02303J000	30 kΩ
603	C7075	B10K	ELW15300G000	30 nH
604	C6145	B14K	ECC18332K000	3300 pF
605	R8024	T14G	ERC02334F000	330 kΩ
606	L6034	T14I	ELW18331G000	330 nH
607	L2002	T6I	ELW18331G000	330 nH
608	L6053	B10K	ELW18331G000	330 nH
609	L6055	B10J	ELW18331G000	330 nH
610	L6057	B10I	ELW18331G000	330 nH
611	L6064	B10J	ELW18331G000	330 nH
612	L7001	B9K	ELW18331G000	330 nH
613	L7002	B9J	ELW18331G000	330 nH
614	L7003	B9I	ELW18331G000	330 nH
615	L7008	B10J	ELW18331G000	330 nH
616	C7114	T9K	ECC15331J000	330 pF
617	R5044	B5A	ERC02333F000	33 kΩ
618	R8036	T14F	ERC02333F000	33 kΩ
619	R1001	T6C	ERC02333F000	33 kΩ
620	R4016	B6I	ERC02333F000	33 kΩ
621	L6067	B11K	ELW18330G000	33 nH
622	C6058	B14G	ECC15330J000	33 pF

No.	Ref. No.	Print No.	Part No.	Description
623	C6096	B14I	ECC15330J000	33 pF
624	C6120	T14H	ECC18330J000	33 pF
625	R8016	T13G	ERC02363J000	36 kΩ
626	C8060	T9E	ECC22360J000	36 pF
627	C8077	T10E	ECC22360J000	36 pF
628	R1016	T6G	ERC02394F000	390 kΩ
629	L7039	T9K	ELW18391G001	390 nH
630	R8017	T13G	ERC02393J000	39 kΩ
631	R8070	T15A	ERC06393J000	39 kΩ
632	L6058	T12K	ELW18390G000	39 nH
633	L6059	T11K	ELW18390G000	39 nH
634	L4006	T2C	ELW18390G000	39 nH
635	C3037	B4G	ECC15390J000	39 pF
636	C6119	T14I	ECC15390J000	39 pF
637	C6143	B14K	ECC18390J000	39 pF
638	R3050	B4I	ERC02302J000	3 kΩ
639	R3052	B4I	ERC02302J000	3 kΩ
640	R3108	B7I	ERC02302J000	3 kΩ
641	R3110	B7I	ERC02302J000	3 kΩ
642	R8028	T14F	ERC02302J000	3 kΩ
643	R8147	T14G	ERC02302J000	3 kΩ
644	C6006	B13J	ECC1530AB000	3 pF
645	C6007	B13J	ECC1530AB000	3 pF
646	C7069	T8I	ECC1530AB000	3 pF
647	C7070	T8I	ECC1530AB000	3 pF
648	C6191	B10J	ECC1830AB000	3 pF
649	C6209	T12J	ECC1545AB000	4.5 pF
650	C6210	T12J	ECC1545AB000	4.5 pF
651	R1014	T12F	ERC02472J000	4.7 kΩ
652	R1048	T5D	ERC02472J000	4.7 kΩ
653	R1055	T4D	ERC02472J000	4.7 kΩ
654	R2006	B2J	ERC02472J000	4.7 kΩ
655	R2007	B2I	ERC02472J000	4.7 kΩ
656	R2062	T4J	ERC02472J000	4.7 kΩ
657	R2063	T4J	ERC02472J000	4.7 kΩ
658	R2091	B2H	ERC02472J000	4.7 kΩ
659	R2103	T4K	ERC02472J000	4.7 kΩ
660	R5001	B4F	ERC02472J000	4.7 kΩ
661	R5016	B5D	ERC02472J000	4.7 kΩ

No.	Ref. No.	Print No.	Part No.	Description
662	R5017	B6D	ERC02472J000	4.7 kΩ
663	R5041	B6B	ERC02472J000	4.7 kΩ
664	R5056	B4J	ERC02472J000	4.7 kΩ
665	R5065	B4J	ERC02472J000	4.7 kΩ
666	R5072	B2J	ERC02472J000	4.7 kΩ
667	R5075	B6D	ERC02472J000	4.7 kΩ
668	R8044	B8G	ERC02472J000	4.7 kΩ
669	R8084	T13H	ERC02472J000	4.7 kΩ
670	L6014	B14G	ELW1847AD000	4.7 nH
671	R8066	T9H	ELW1847AD000	4.7 nH
672	C7081	B10K	ECC1547AB000	4.7 pF
673	C8098	T12D	ECC2247AC000	4.7 pF
674	C1045	T12G	ECC21475K000	4.7 μF
675	C1063	T12G	ECC21475K000	4.7 μF
676	C1072	T3E	ECC21475K000	4.7 μF
677	C4058	T2D	ECC21475K000	4.7 μF
678	C6122	T15H	ECC21475K000	4.7 μF
679	C6158	B10K	ECC21475K000	4.7 μF
680	C7011	T9J	ECC21475K000	4.7 μF
681	L6036	B15J	ELL21472K000	4.7 μH
682	R8027	T13F	ERC02433J000	43 kΩ
683	C8144	T11C	ECC18472K000	4700 pF
684	R3059	B4H	ERC02474J000	470 kΩ
685	L6024	B14H	ELL18471K000	470 nH
686	L2001	T6I	ELW18471G000	470 nH
687	L8000	T14F	ELW18471G000	470 nH
688	L8001	T14G	ELW18471G000	470 nH
689	R8003	T14F	ELW18471G000	470 nH
690	C1010	T6C	ECC15471J000	470 pF
691	C2061	B3I	ECC15471J000	470 pF
692	C3014	T2F	ECC15471J000	470 pF
693	C3017	B4H	ECC15471J000	470 pF
694	C3018	B4G	ECC15471J000	470 pF
695	C3030	B4F	ECC15471J000	470 pF
696	C3031	B4F	ECC15471J000	470 pF
697	C3041	B4F	ECC15471J000	470 pF
698	C3042	B3F	ECC15471J000	470 pF
699	C3044	B2H	ECC15471J000	470 pF
700	C3071	B4H	ECC15471J000	470 pF

No.	Ref. No.	Print No.	Part No.	Description
701	C3072	B4H	ECC15471J000	470 pF
702	C3091	T3G	ECC15471J000	470 pF
703	C3092	T3G	ECC15471J000	470 pF
704	C3102	T3G	ECC15471J000	470 pF
705	C3103	T3G	ECC15471J000	470 pF
706	C3104	T3G	ECC15471J000	470 pF
707	C3105	T3H	ECC15471J000	470 pF
708	C4069	T1D	ECC15471J000	470 pF
709	C4104	T1D	ECC15471J000	470 pF
710	C5062	T3D	ECC15471J000	470 pF
711	C6100	B14I	ECC15471J000	470 pF
712	C6118	T15H	ECC15471J000	470 pF
713	C6164	T12I	ECC15471J000	470 pF
714	R5043	B4D	ERC02822J000	8.2 kΩ
715	R5047	B4F	ERC02822J000	8.2 kΩ
716	R5049	B6E	ERC02822J000	8.2 kΩ
717	R5050	B6E	ERC02822J000	8.2 kΩ
718	R5052	B4J	ERC02822J000	8.2 kΩ
719	R5070	B4D	ERC02822J000	8.2 kΩ
720	R5084	B4E	ERC02822J000	8.2 kΩ
721	R5128	B2J	ERC02822J000	8.2 kΩ
722	R6045	T14I	ERC02822J000	8.2 kΩ
723	R6065	B10J	ERC02822J000	8.2 kΩ
724	R6076	T12J	ERC02822J000	8.2 kΩ
725	R7007	B9J	ERC02822J000	8.2 kΩ
726	R8062	B10H	ERC02822J000	8.2 kΩ
727	L7028	B10K	ELW1882AD000	8.2 nH
728	L7029	B10K	ELW1882AD000	8.2 nH
729	C7080	B10K	ECC1582AW000	8.2 pF
730	C8181	T10B	ECC2282AC000	8.2 pF
731	L2003	T6I	ELL18821K000	820 nH
732	L6025	B15H	ELL18821K000	820 nH
733	L7014	T8J	ELL18821K000	820 nH
734	C7119	B8I	ECC15821J000	820 pF
735	L6008	B13F	ELW18820G001	82 nH
736	L6021	B12H	ELW18820G001	82 nH
737	C6129	T14I	ECC18820J000	82 pF
738	C6024	B12J	ECC1580AB000	8 pF
739	C6049	B14F	ECC1580AB000	8 pF

No.	Ref. No.	Print No.	Part No.	Description
740	C6052	B14F	ECC1580AB000	8 pF
741	C6053	B13H	ECC1580AB000	8 pF
742	C6211	T11J	ECC1580AB000	8 pF
743	C6213	T12I	ECC1580AB000	8 pF
744	C7071	T8J	ECC1580AB000	8 pF
745	C7073	T8I	ECC1580AB000	8 pF
746	C7017	B9J	ECC1880AB000	8 pF
747	R3003	T2F	ERC02912J000	9.1 kΩ
748	R3011	T2G	ERC02912J000	9.1 kΩ
749	R6039	B14I	ERC02912J000	9.1 kΩ
750	R7050	B8I	ERC02912J000	9.1 kΩ
751	L6019	B12G	ELW1591AG000	9.1 nH
752	C6056	B14G	ECC1590AB000	9 pF
753	C7025	B9J	ECC1890AB000	9 pF
754	U8001	T14G	ESE002000002	Operational amplifier
755	U8000	T13G	ESE001000000	Operational amplifier
756	U8002	T13F	ESE001000000	Operational amplifier
757	U6002	B14J	ESC001000000	IF processor IC
758	U8004	T8H	ESY009000000	RF amplifier
759	Q8004	T9E	ESA005000002	RF power amplifier
760	Q2002	T6I	ETNS02010000	NPN transistor
761	D1001	T6E	EDXS09010000	Schottky barrier diode
762	D6024	T13B	EDSS17010000	Switching diode
763	D7011	B10K	EDSS17010000	Switching diode
764	D7014	B9K	EDSS17010000	Switching diode
765	D6015	B10I	EDVS05020000	Varactor diode
766	D6017	B10I	EDVS05020000	Varactor diode
767	D7002	B9I	EDVS05020000	Varactor diode
768	D7005	B9I	EDVS05020000	Varactor diode
769	Q6001	B12J	ETNS04030000	NPN transistor
770	Q6002	B13G	ETNS04030000	NPN transistor
771	L3001	B6H	ELF15601Y000	Bead
772	L3003	B5H	ELF15601Y000	Bead
773	L3004	B6I	ELF15601Y000	Bead
774	L3020	T2G	ELF41600Y000	Bead
775	L3021	B3E	ELF41600Y000	Bead
776	L8007	B7C	ELF41600Y000	Bead
777	L8008	B7B	ELF41600Y000	Bead
778	L8011	B10C	ELF41600Y000	Bead

No.	Ref. No.	Print No.	Part No.	Description
779	L8012	B10C	ELF41600Y000	Bead
780	U3006	T3H	ESJ014000000	Noise reduction IC
781	D8008	B8H	EDWS05040000	Zener diode
782	L1001	T5E	ELC00153N000	15 $\mu$ H
783	L1004	T6H	ELC00622N000	6.2 $\mu$ H
784	L1000	T6E	ELC00103N000	10 $\mu$ H
785	U5004	B4K	EGKS00000000	EMI filter
786	U5005	B4K	EGKS00000000	EMI filter
787	U5006	B4K	EGKS00000000	EMI filter
788	U5007	B3K	EGKS00000000	EMI filter
789	Q1003	B6C	ETPS07030000	PNP transistor
790	D1009	T4C	EDSS03010001	Switching diode
791	D6011	T11J	EDSS03010001	Switching diode
792	D7003	B8K	EDSS03010001	Switching diode
793	D8003	T14G	EDSS03010001	Switching diode
794	X7000	T10K	EYDS01925000	TCXO
795	X4001	T3K	EYBS02605002	Crystal oscillator
796	Q1002	T12F	ETBS03040000	Transistor
797	Q1005	T5D	ETBS03040000	Transistor
798	Q1007	T5D	ETBS03040000	Transistor
799	Q1012	T4C	ETBS03040000	Transistor
800	Q1014	T5C	ETBS03040000	Transistor
801	Q2003	T4K	ETBS03040000	Transistor
802	Q5013	B2B	ETBS03040000	Transistor
803	Q5014	T5C	ETBS03040000	Transistor
804	Q8003	B8G	ETBS03040000	Transistor
805	Q8008	T13H	ETBS03040000	Transistor
806	D1007	T4C	EDWS03050000	Zener diode
807	D7010	T8K	EDWS03050004	Zener diode
808	D1006	T5C	EDWS03050003	Zener diode
809	Q1000	T6I	ETCS03020000	Compound transistor
810	Q1009	T4B	ETCS03020000	Compound transistor
811	Q3000	B5F	ETCS03020000	Compound transistor
812	Q3001	B4G	ETCS03020000	Compound transistor
813	Q3002	B4G	ETCS03020000	Compound transistor
814	Q3004	T2G	ETCS03020000	Compound transistor
815	Q6007	B11K	ETCS03020000	Compound transistor
816	Q6009	B11K	ETCS03020000	Compound transistor
817	Q6011	T11I	ETCS03020000	Compound transistor



No.	Ref. No.	Print No.	Part No.	Description
818	Q6016	T14H	ETCS03020000	Compound transistor
819	Q7000	B8K	ETCS03020000	Compound transistor
820	Q7002	B8K	ETCS03020000	Compound transistor
821	Q7004	B8K	ETCS03020000	Compound transistor
822	Q7008	T11K	ETCS03020000	Compound transistor
823	Q7009	T9K	ETCS03020000	Compound transistor
824	Q5004	T3D	ETCS03020001	Compound transistor
825	Q5020	T13C	ETCS03020001	Compound transistor
826	Q5000	B2D	ETCS03050000	Compound transistor
827	Q5001	B4F	ETCS03050000	Compound transistor
828	Q5002	B6D	ETCS03050000	Compound transistor
829	Q5003	B4D	ETCS03050000	Compound transistor
830	Q5005	B4D	ETCS03050000	Compound transistor
831	Q5006	B4J	ETCS03050000	Compound transistor
832	Q5007	B3D	ETCS03050000	Compound transistor
833	Q5008	B2J	ETCS03050000	Compound transistor
834	Q5009	B6D	ETCS03050000	Compound transistor
835	Q5010	B3D	ETCS03050000	Compound transistor
836	Q5019	B5D	ETCS03050000	Compound transistor
837	D5010	T4B	EDES14010000	ESD protection diode
838	D5024	T4B	EDES14010000	ESD protection diode
839	D5025	T2B	EDES14010000	ESD protection diode
840	D5026	T2B	EDES14010000	ESD protection diode
841	U2004	T2I	ESM032000000	Memory
842	D8004	T12A	EDSS11010000	Switching diode
843	D8005	T13B	EDSS11010000	Switching diode
844	U4006	T1C	ESG020000001	GPS module
845	X2000	T3K	EYAS32771001	Crystal
846	BT2000	B1I	EBE000001000	Button cell
847	Q2001	B2H	ETNS07010000	NPN transistor
848	Q1011	T5C	ETPS07010000	PNP transistor
849	Q1013	T4C	ETPS07010000	PNP transistor
850	D3000	B3F	EDES13010000	ESD protection diode
851	D3001	B4F	EDES13010000	ESD protection diode
852	D5002	T4A	EDES13010000	ESD protection diode
853	D5003	T2A	EDES13010000	ESD protection diode
854	D5004	T3A	EDES13010000	ESD protection diode
855	D5005	T3B	EDES13010000	ESD protection diode
856	D5006	T5B	EDES13010000	ESD protection diode

No.	Ref. No.	Print No.	Part No.	Description
857	D5007	T3B	EDES13010000	ESD protection diode
858	D5011	B3B	EDES13010000	ESD protection diode
859	D5012	T4A	EDES13010000	ESD protection diode
860	D5016	T5J	EDES13010000	ESD protection diode
861	D5017	B6K	EDES13010000	ESD protection diode
862	D5018	B7K	EDES13010000	ESD protection diode
863	D1002	T5F	EDES13010001	ESD protection diode
864	D2002	T3K	EDES13010001	ESD protection diode
865	D5008	T3B	EDES13010001	ESD protection diode
866	D5014	B7K	EDES13010001	ESD protection diode
867	D5020	T6J	EDES13010001	ESD protection diode
868	U2005	T5I	SMESM003000001	Memory
869	U8011	T13G	ESE010000001	Operational amplifier
870	U1004	T12G	ESH010000002	Power management IC
871	U1005	T12G	ESH010000002	Power management IC
872	U1008	T4F	ESH010000000	Power management IC
873	U3001	B5G	ESE002000001	Operational amplifier
874	U3004	B4G	ESE002000001	Operational amplifier
875	U1007	T5C	ESE010000000	Operational amplifier
876	U3002	T2G	ESE010000000	Operational amplifier
877	U2007	T5K	ESP014000000	Switch IC
878	U3005	B4I	ESP014000001	Three-way analog switch IC
879	U2001	T4K	ESP025000000	Two-way USB analog switch IC
880	U2000	T3I	ESN002000005	Baseband processor IC
881	Q6003	B15H	ETNS04010000	NPN transistor
882	Q6004	B15H	ETNS04010000	NPN transistor
883	Q6013	T12J	ETNS04010000	NPN transistor
884	Q6014	T12K	ETNS04010000	NPN transistor
885	Q7006	T8J	ETNS04010000	NPN transistor
886	D5019	B4K	EDES06010002	ESD protection diode
887	D2010	B5K	EDES06010003	ESD protection diode
888	D5001	T1B	ESJ025000000	USB protection IC
889	D5013	T6K	ESJ025000000	USB protection IC
890	Q1004	T7C	ETNS04040000	NPN transistor
891	D1005	T4C	EDXS03030000	Schottky barrier diode
892	D2000	B2I	EDXS03030000	Schottky barrier diode
893	D2003	B2I	EDXS03030000	Schottky barrier diode
894	D2004	B2I	EDXS03030000	Schottky barrier diode
895	D5015	B6B	EDXS03030000	Schottky barrier diode

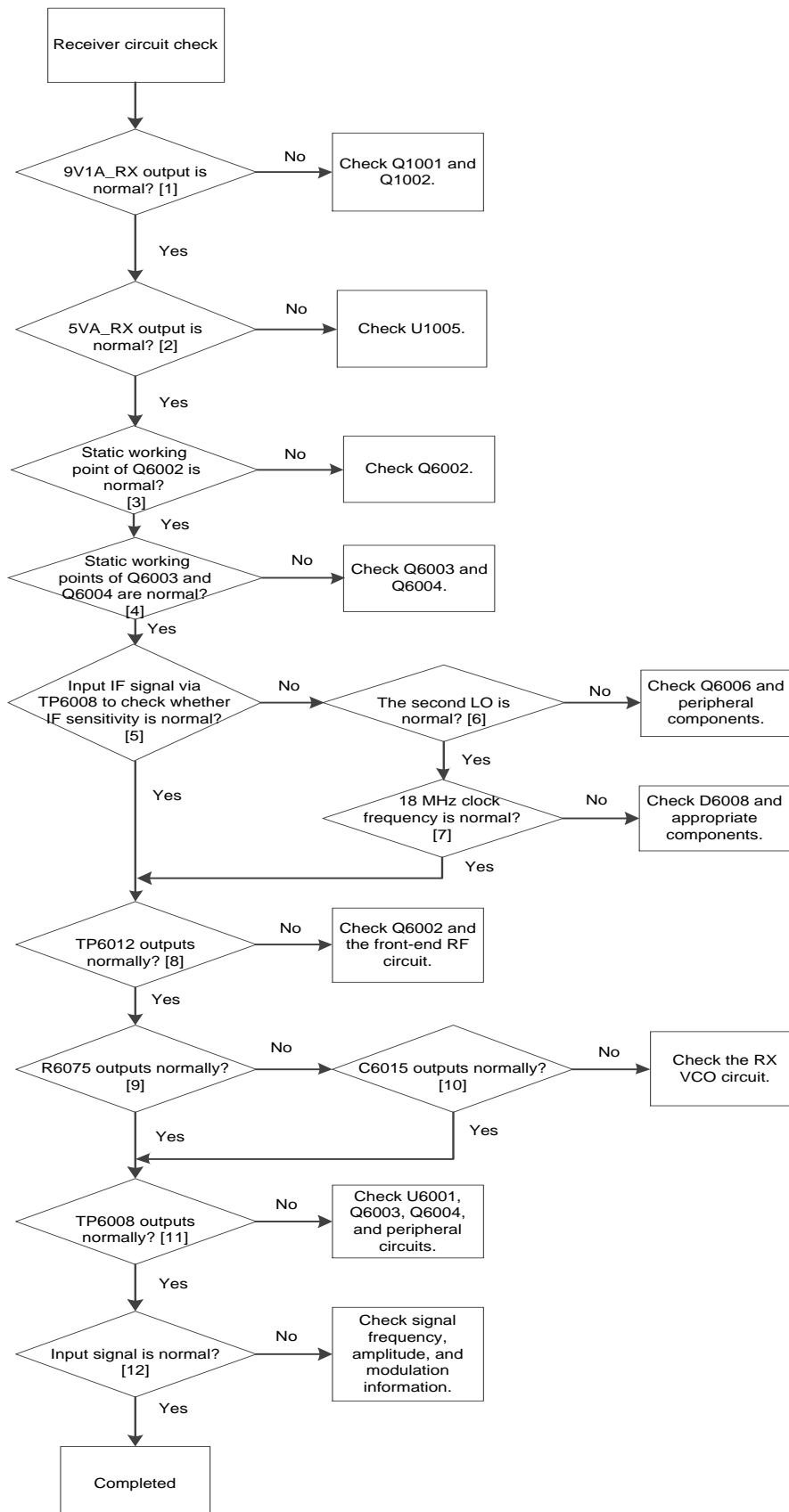
No.	Ref. No.	Print No.	Part No.	Description
896	Q8006	T9H	EFAS02010000	PA MOSFET
897	Q8005	T10H	EFAS02010001	PA MOSFET
898	U1003	T6H	ESH016000004	Power management IC
899	U1002	T5H	ESH016000003	Power management IC
900	U1009	T1J	ESH016000000	Power management IC
901	U1006	T6G	ESH016000002	Power management IC
902	U1010	T4F	ESH016000002	Power management IC
903	U1011	T2D	ESH016000002	Power management IC
904	U1012	T12H	ESH016000002	Power management IC
905	U1013	T12H	ESH016000002	Power management IC
906	U2008	B2H	ESH016000002	Power management IC
907	Q5015	B5B	EFPS03020000	P-MOSFET
908	U8003	B8B	ESE028000000	Current sense amplifier
909	U7000	T10K	ESD017000000	PLL IC
910	D6002	B12H	ESZ017000000	Mixer IC
911	U2006	T4J	ESR002000000	Logic IC
912	U5000	B3D	ESR002000001	Logic IC
913	U5001	B3H	ESR002000001	Logic IC
914	U5002	B5I	ESR002000001	Logic IC
915	U3003	B5H	ESN002000001	Baseband processor IC
916	U4000	B7I	ESF002000000	D/A converter IC
917	U2003	B2J	ESQ002000001	Reset IC
918	U1000	T6E	ESH002000000	Power management IC
919	U1001	T6G	ESH002000001	Power management IC
920	U3010	T3G	ESP002000000	Analog switch IC
921	U3000	T2G	ESP002000001	Switch IC
922	U3008	T2H	ESP002000001	Switch IC
923	D1008	T4B	EDWS03070001	Zener diode
924	D1004	T5C	EDWS03070000	Zener diode
925	D2001	B2H	EDWS03070000	Zener diode
926	Q6000	B13F	ETCS03080001	Compound transistor
927	U501	T8J	ESY013000000	Buffer amplifier IC
928	U2002	B2I	ESH018000000	Power management IC
929	U4008	T2K	EGGS02447000	SAW filter
930	U4009	T2K	ESB008000000	Bluetooth module
931	X4001	T3K	EYBS02605002	Crystal resonator
932	J1000	/	EJZS00600000	Power socket
933	C1000	/	ECE00477M002	470 $\mu$ F
934	J5000	/	EJZS02600000	D_SUB connector

No.	Ref. No.	Print No.	Part No.	Description
935	U3009	/	ESV024000000	Audio amplifier IC
936	J4000	/	EMC001000000	RF connector
937	J4001	/	EMC001000000	RF connector
938	J5002	/	EJHS02020000	FPC connector
939	J5001	/	EJBS02000002	Board-to-board connector
940	J5003	/	EJMS00800000	MicroSD card connector
941	S1000	/	MB0005000020	Heat sink
942	W8000	/	EMH001000000	TNC antenna connector
943	A1	/	MM0059000200	Shielding can A
944	A2	/	MM0059000200	Shielding can A
945	A3	/	MM0059000200	Shielding can A
946	A4	/	MM0059000200	Shielding can A
947	B1	/	MM0060000200	Shielding can B
948	B2	/	MM0060000200	Shielding can B
949	B3	/	MM0060000200	Shielding can B
950	C1	/	MM0061000200	Shielding can C
951	D1	/	MM0062000200	Shielding can D
952	E1	/	MM0063000200	Shielding can E
953	E2	/	MM0063000200	Shielding can E
954	/	/	EPPH0020800F	PCB

Table 8-2 Parts List of RDR9000 RX Board

## 8.8 Troubleshooting Flow Chart

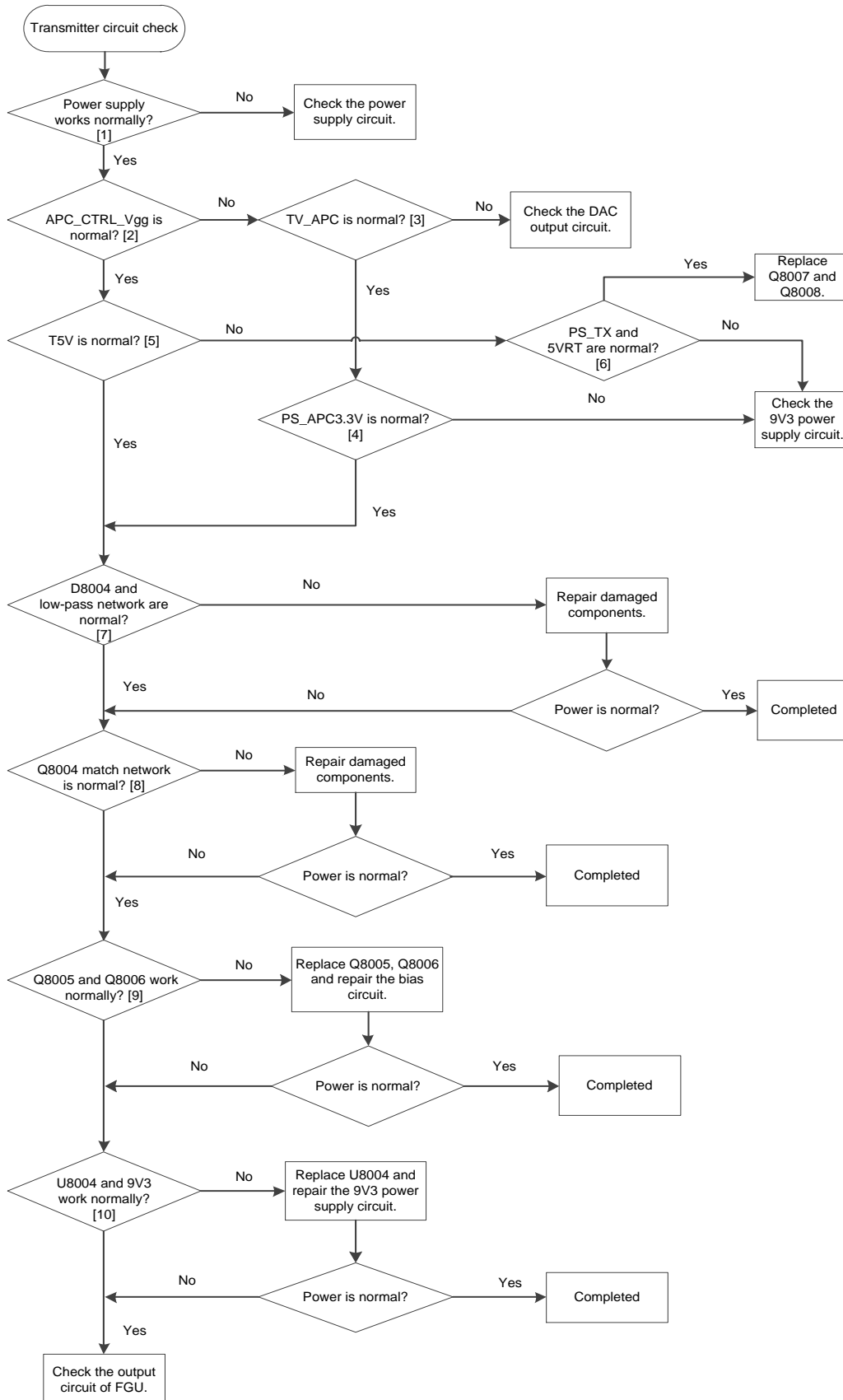
### 8.8.1 Receiver Circuit



## Description of Normal Situations:

- 1) Voltage at L6001: about 9.1 V.
- 2) Voltage at L6022: about 5 V.
- 3) For Q6002, Vbe: about 0.74 V; Vce: about 5.4 V (in the case of no signal reception).
- 4) For Q6003, Vbe: about 0.76 V; Vce: about 1.4 V; for Q6004, Vbe: about 0.7 V; Vce: about 1.55 V (in the case of no signal reception).
- 5) Cut off the front-end circuit, and input a 44.85 MHz IF signal at TP6008 to test IF sensitivity. Normally, the IF sensitivity is -109 dBm.
- 6) Frequency of Q6006: 47.1 MHz.
- 7) Frequency of L6039: 18 MHz.
- 8) Input a -30 dBm RF signal at the antenna connector and test at TP6012. Normally, gain > 11 dB, output signal > -19 dBm.
- 9) Input a -30 dBm RF signal at the antenna connector and test at R6075 (do not cut off the back-end circuit). Normally, gain > 1 dB, output signal > -29 dBm.
- 10) For output signal of C6015, signal frequency:  $F = RF - IF$ , signal amplitude > 14 dBm.
- 11) For input of -80 dBm signal at L6024, gain > 25 dB, output signal > -55 dBm; for input of -30 dBm signal, output signal < -20 dBm.
- 12) The input signal at the antenna connector, with the standard tuning information (AF = 1 kHz, FM = 3 kHz), is -47 dBm.

### 8.8.2 Transmitter Circuit



## Descriptions of Normal Situations:

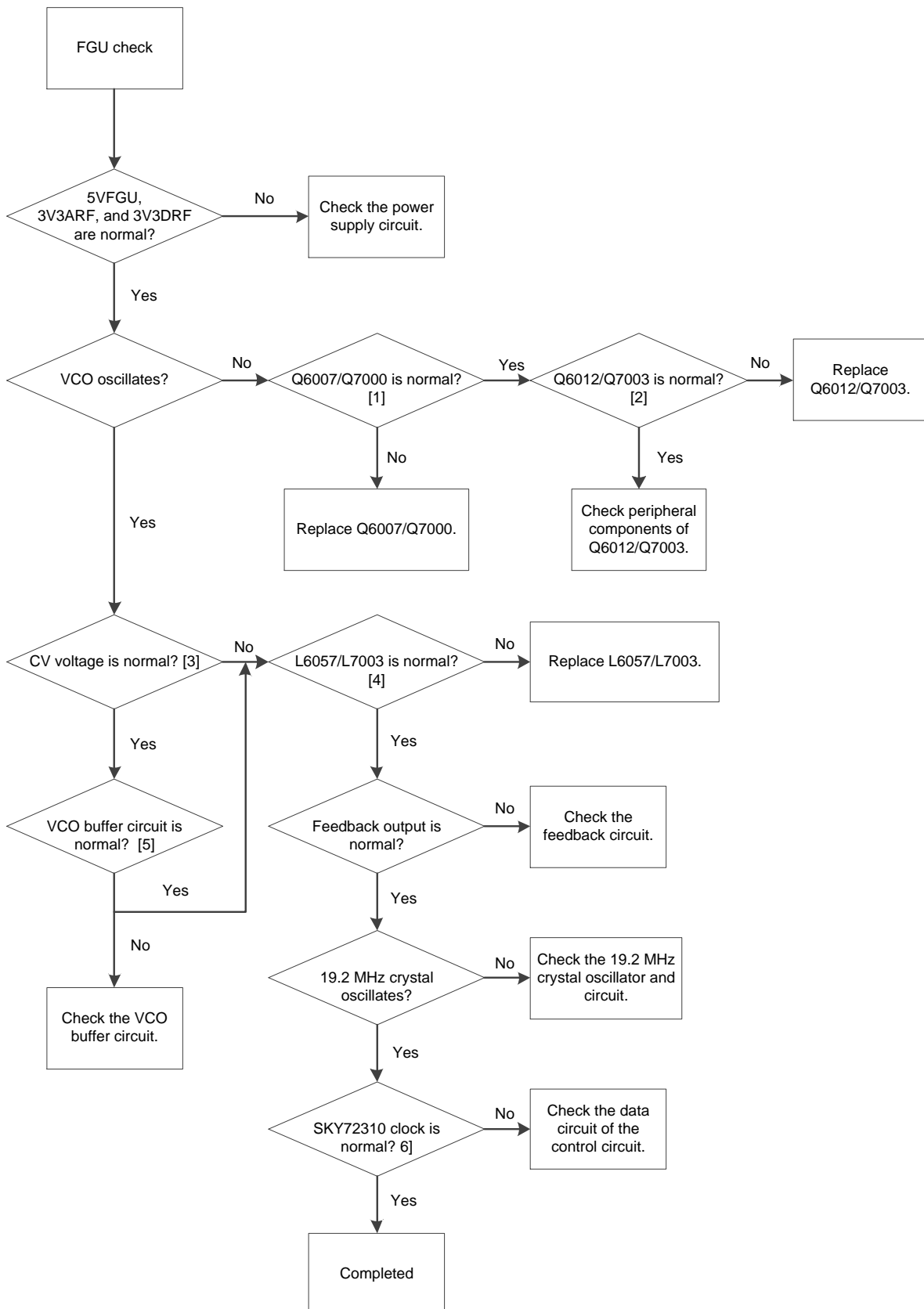
- 1) Voltage of the power supply: about 13.6 V.
- 2) For low power, APC\_CTRL\_Vgg: 1.0-1.2 V; for medium power, APC\_CTRL\_Vgg: 1.4-1.8 V; for high power, APC\_CTRL\_Vgg: 1.8-2.2 V.
- 3) For low power, TV\_APC: 1.2-1.4 V; for medium power, TV\_APC: 1.6-2.0 V; for high power, TV\_APC: 2.0-2.4 V.
- 4) PS\_APC: about 3.3 V.
- 5) T5V: about 5 V.
- 6) PS\_TX: about 3.3 V. 5VRT: about 5 V.
- 7) Start-up voltage of D8004: about 0.7 V. The low-pass coil must be soldered appropriately and remain in good condition.
- 8) PA bias of Q8004 is normal. Input voltage: about 2.8 V, output voltage: 13.6 V, gain: about 12 dB. The components must be soldered appropriately and remain in good condition.
- 9) PA bias of Q8005 is normal. Input voltage: 1.0-1.5 V, output voltage: 9.3 V, gain: about 15 dB. Gain amplifier bias of Q8006 is normal. Input voltage: 1.5-2.3 V, output voltage: 9.3 V, gain: about 15 dB. The components must be soldered appropriately and remain in good condition.
- 10) Gain amplifier bias of U8004 is normal. Output voltage: 1.3 V, gain: about 10 dB. The components must be soldered appropriately and remain in good condition.



**Note:** The above check operations should be performed with the supply voltage of 13.6V.



### 8.8.3 FGU



**Description of Normal Situations:**

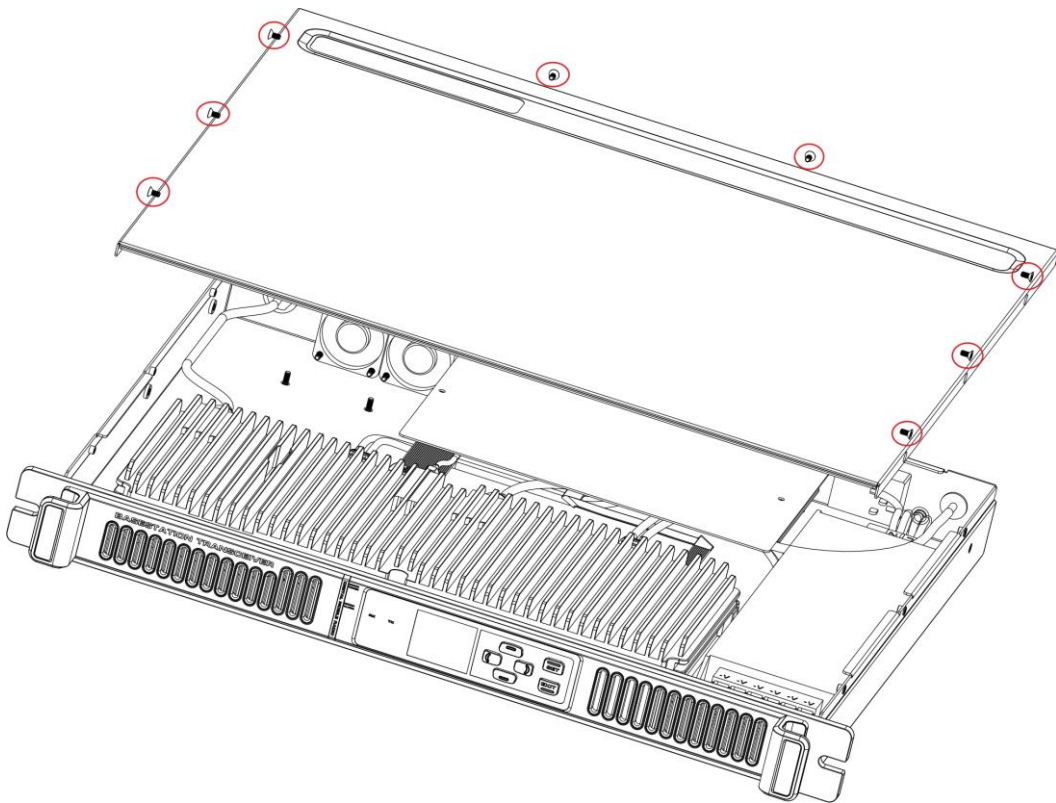
- 1) During reception, output voltage at pin 3 of Q6007 and Q6009: about 4 V. During transmission, output voltage at pin 3 of Q7000 and Q7002: about 4 V.
- 2) During reception, voltage at Q6012 E: about 1.8 V. During transmission, voltage at Q7003 E: about 1.8 V.
- 3) The CV value varies with frequencies. The normal value should range from 0.5 V to 4.5 V.
- 4) L6057/L7003 is on.
- 5) During reception, voltage at B of Q6012 and Q6014: about 0.7 V. During transmission, voltage at Q7006 B: about 0.7 V.
- 6) PLL\_98\_CLK outputs 1.92 MHz clock.

## 9. Disassembly and Assembly

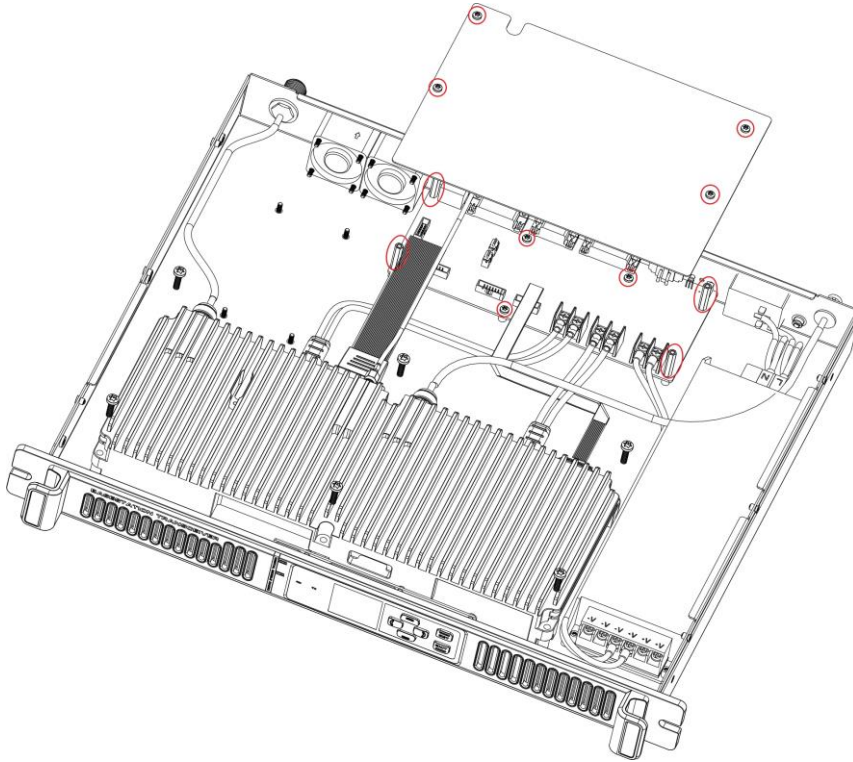
### 9.1 Disassembly

**Step 1** Turn off the repeater and remove the power cord and cables connecting to accessories.

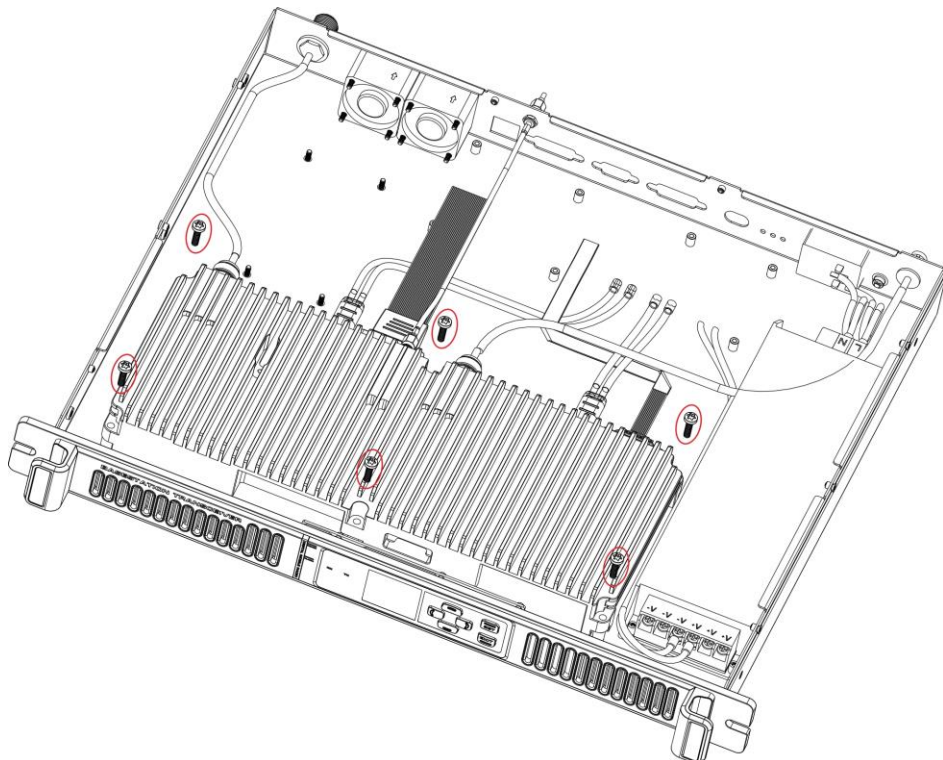
**Step 2** Loosen the eight countersunk screws on the sides of the repeater top cover and then remove the top cover.



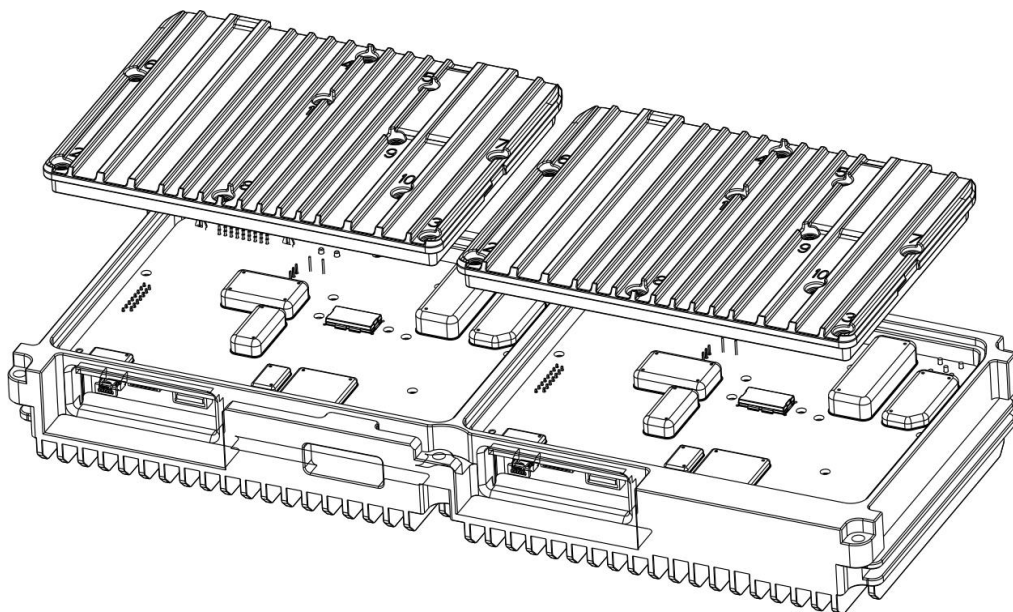
**Step 3** Remove the four screws locking the cover for the rear board PCB and take the cover out. Remove the screws, studs, and cables on the rear board. Then take the rear board PCB out.



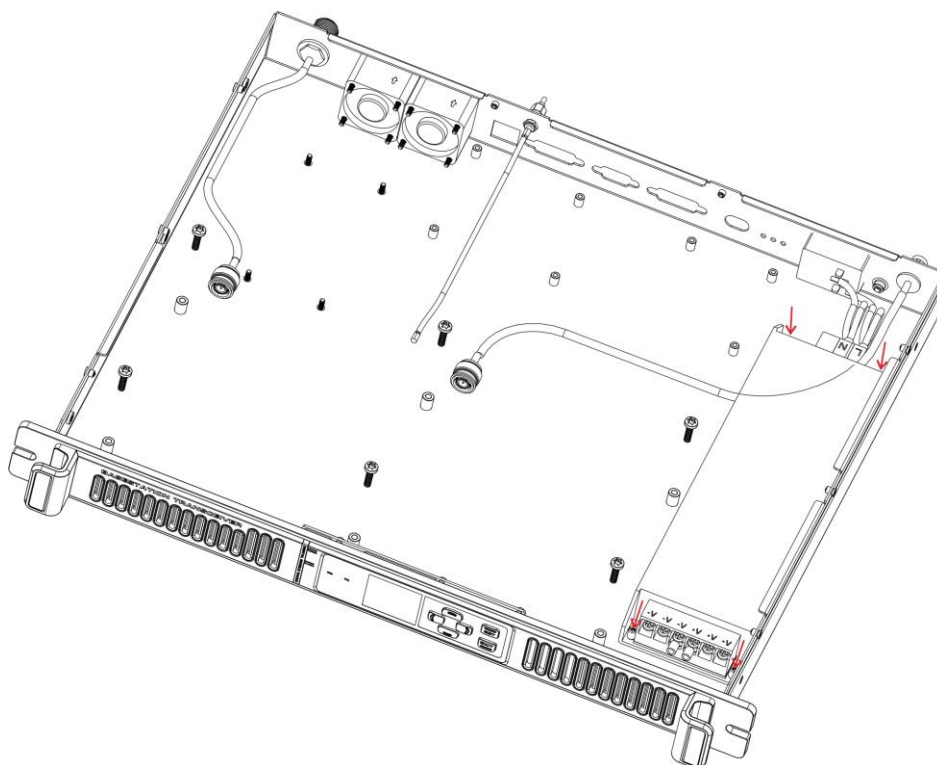
**Step 4** Remove the six screws fixing the aluminum shielding box for the TX and RX modules and detach the RF cables. Then take the shielding box out.



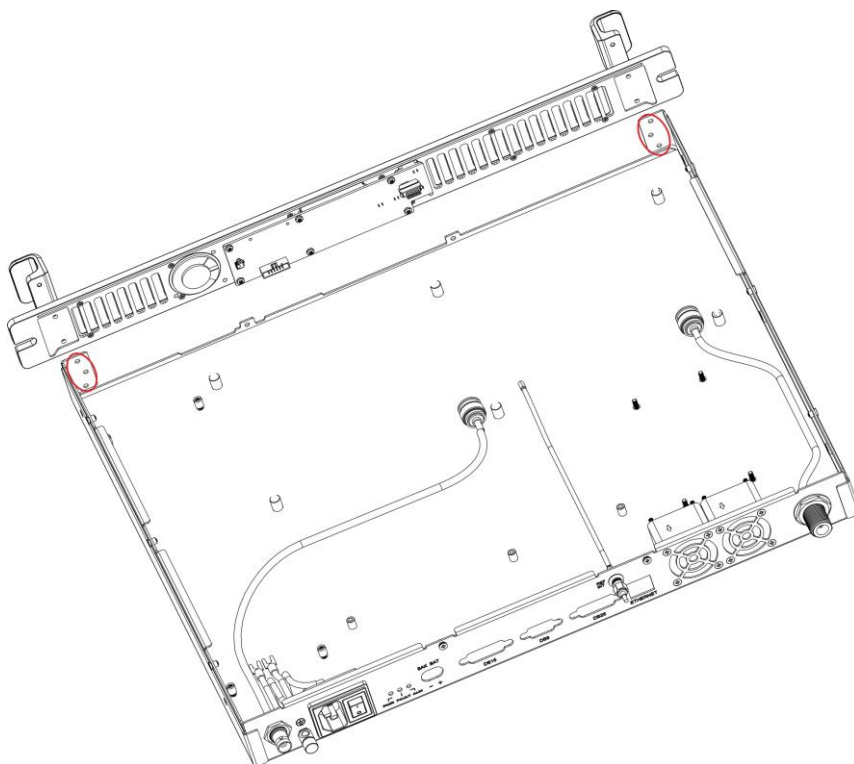
**Step 5** Remove the screws on the shielding box for the TX and RX modules and take the TX and RX PCBs out.



**Step 6** Remove the four nuts locking the power module and take this module out.



- Step 7** Remove the six screws fixing the control head kit. Then take the control head out.  
Remove the screws locking the control head PCB and then take the PCB out.



## 9.2 Assembly

To assemble the repeater, perform the above steps in a reverse way.

# 10. Exploded View

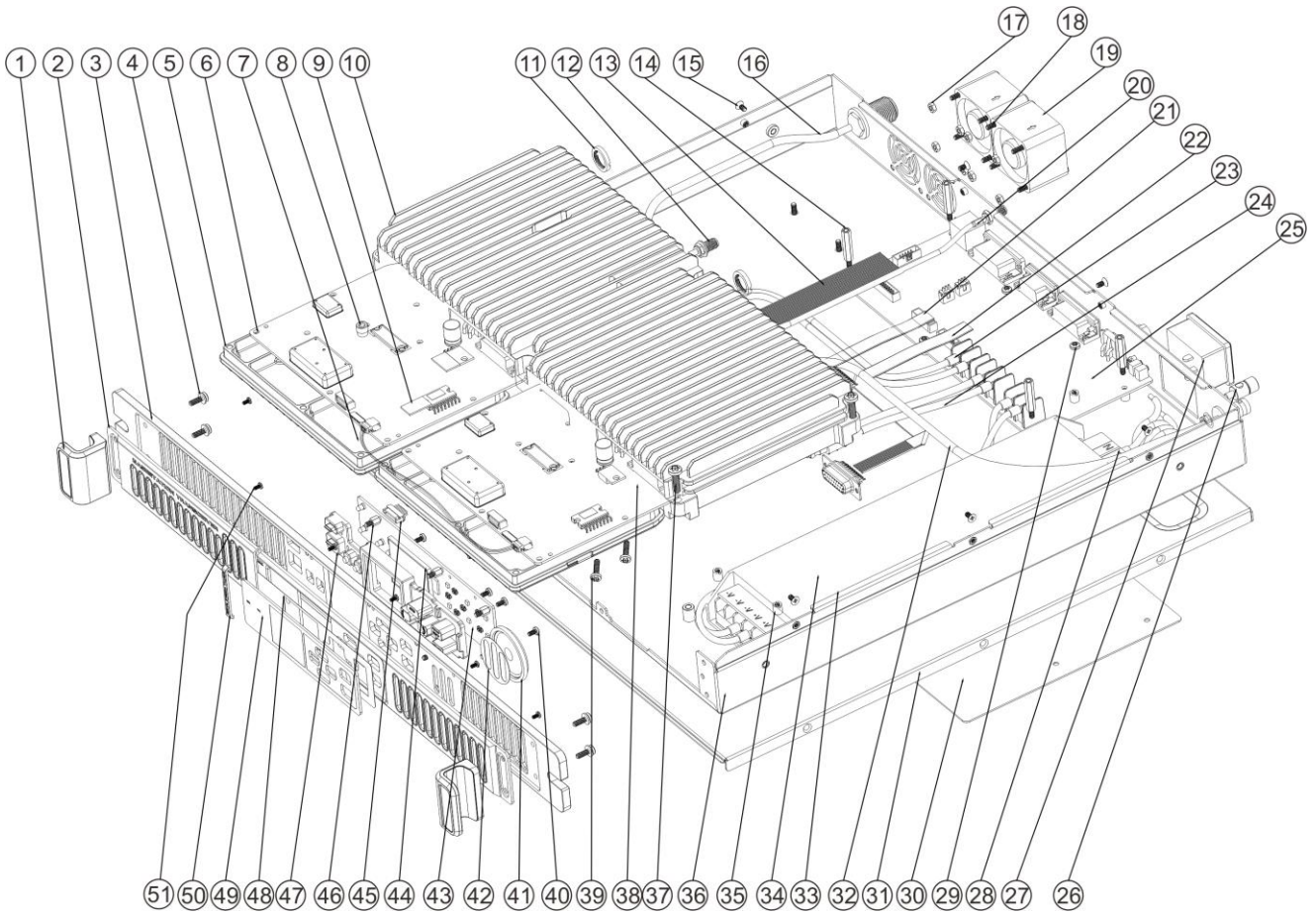


Figure 10-1 Exploded View

No.	Part No.	Description	Qty.
1	MA0000000320	Handle	2
2	MA0000000300	Decorative panel	1
3	MA0000000310	Control panel	1
4	MC2030010200	Machine screw (M3 x 10)	6
5	MA0068100200	Aluminum top cover	2
6	/	PCB for TX module	1
7	EWDBB0190000	8-pin data cable	1
8	MD0060025001	Silicone rubber switch	1
9	MF0000200200	Heat sink pad (16 x 10)	3
10	MM0004000300	Aluminum shielding box for TX and RX modules	1
11	MD1016025100	TNC nut	2
12	EWC0B0715000	SMA RF connector	1

No.	Part No.	Description	Qty.
13	EWZ000160000	DB26-to-26 pin IDC connector ribbon cable	1
14	MD0030028000	Hex stud (M3.0 L=28mm)	4
15	MC2030060100	Countersunk screw (M3 x 6)	8
16	EWC000200003	TNC PLUG TO N JACK	1
17	MD0030000300	Hex nut M3.0	8
18	MC2030035300	Countersunk screw (M3 x 35)	8
19	EZAA2B038000	Fan	2
20	EWC000200002	SMA PLUG TO SMA JACK	1
21	EWZ000410000	12-pin IDC connector ribbon cable	1
22	EWZ000260000	DB26-to-10 pin IDC connector ribbon cable	1
23	MB0015000000	Y-type connector (3.5-5)	8
24	EWA220510000	2-pin power adapter cable	2
25	/	PCB for rear board and floating charge board	1
26	MC2040000000	Ground screw M4	1
27	EJEP00010002	AC power socket	1
28	MB0016000000	Y-type connector (2-4)	3
29	MC2030060110	Machine screw (M3 x 6)	10
30	MM0003000300	Cover for rear board PCB	1
31	MM0000000300	Chassis top cover	1
32	EWC000330001	BNC JACK TO TNC PLUG	1
33	MF0000600000	Ground conductive sponge	6
34	EJD290130001	Switched-mode power supply	1
35	MD0030000310	Stud M3.0	4
36	MM0002000300	Chassis bottom cover	1
37	MC2040150200	Machine screw (M4 x 15)	6
38	/	PCB for RX module	1
39	MC2030150200	Machine screw (M3 x 15)	20
40	MC2025050300	Machine screw (M2.5 x 5)	6
41	ENB011572000	Speaker	1
42	MF0000300000	Speaker felt	1
43	/	PCB for control panel	1
44	EUT128160000	TFT LCD	1
45	EWDAB0080001	20-pin data cable	1
46	MD0030000320	Hex stud M3.0	6
47	MR0132000320	Silicone rubber key	1



No.	Part No.	Description	Qty.
48	MF0000800300	Double-sided tape for LCD lens	1
49	MF0000500300	LCD lens	1
50	MP0004000000	Decorative ribbon	1
51	MC2020040320	Machine screw (M2 x 4)	12

Table 10-1 Repeater Parts List



**Note:** Parts that are not marked with Part No. may vary with the repeater frequency band.

# 11. Packing Guide

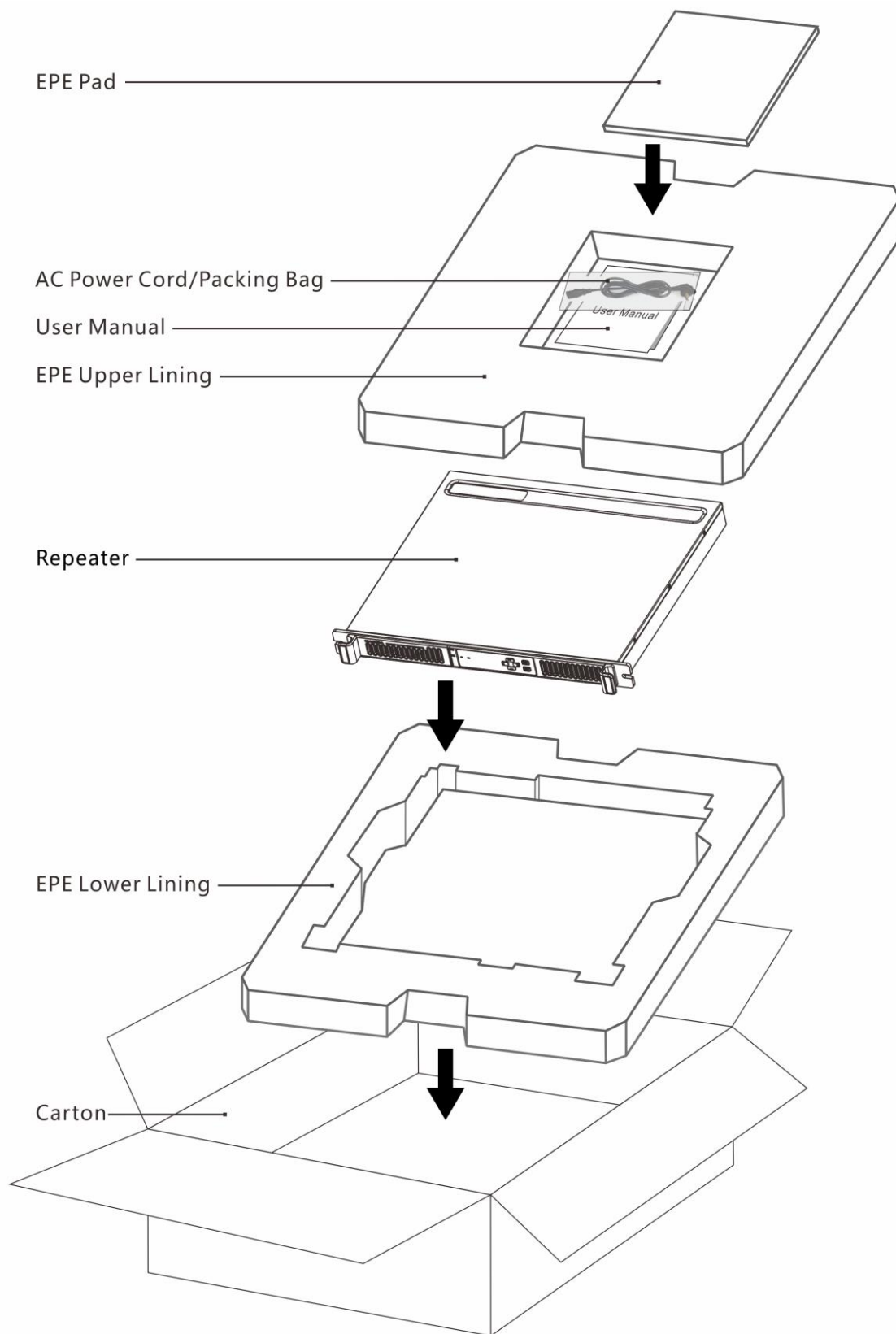


Figure 11-1 Packing Guide

## 12. Specifications

General		
Frequency Range	UHF1: 400-470 MHz	
	UHF3: 350-400 MHz	
	VHF: 136-174 MHz	
Channel Capacity	1024	
Operating Voltage	13.6 V (normal)	
	10.5-16 V (extreme)	
Channel Spacing	12.5 kHz	
	20 kHz	
	25 kHz	
Antenna Impedance	50 $\Omega$	
Frequency Stability	$\pm 0.5$ ppm	
Operating Temperature	-30°C to +65°C	
Storage Temperature	-40°C to +85°C	
Receiver		
Maximum Digital Sensitivity	Normal	Specification: -116 dBm @ 1% BER
		Typical: -118 dBm @ 1% BER
	Extreme	Specification: -120 dBm @ 5% BER
		Typical: -121 dBm @ 5% BER
Receiver Ultimate (BER) Sensitivity	-85 dBm @ 0% BER	
Receiver BER at high RF Input	5 dBm @ 0% BER	
Receiver Dynamic Faded (BER) Sensitivity (8 KM/H and 100 KM/H)	-112 dBm @ 5% BER	
Analog Sensitivity	Specification: -120dBm	

	Normal: -121 dBm	
Co-Channel Rejection	Analog	ETSI: 0 to -12 dB @ 12.5 kHz
		ETSI: 0 to -8 dB @ 25 kHz
	Digital	ETSI: 0 to -12 dB
Adjacent Channel Selectivity (ETSI)	60 dB @ 12.5 kHz	
	70 dB @ 25 kHz	
	60 dB @ 12.5 kHz, digital	
Spurious Response Rejection	> 75 dB	
Intermodulation	Analog	ETSI: > 70 dB
	Digital	TIA: > 75 dB
		ETSI: > 70 dB
Blocking (ETSI)	> 95 dB	
Conducted Spurious Emission (ETSI)	-57 dBm < 1 GHz	
	-47 dBm > 1 GHz	
Modulation Acceptance	≥ 8 kHz @ 12.5 kHz	
	≥ 12 kHz @ 25 kHz	
Maximum Audio Power	5.0 W (full duplex)	
	6.2 W (half duplex)	
Minimum Audio Distortion	Analog: 3%	
	Digital: 5%	

Hum and Noise	Analog (W/N): 48 dB/42 dB
	Digital: 55 dB
Audio Response	+1 to -3 dB
Receiver Lock Time	1st Lo: 1.5 ms
	2nd Lo: 5 ms
<b>Transmitter</b>	
Power Output	45 W $\pm$ 0.3 dB (high)
	25 W $\pm$ 0.3 dB (medium)
	5 W $\pm$ 0.5 dB (low)
TX Current	8.7 A (high)
	7 A (medium)
	4 A (low)
Adjacent Channel Power	60 dB @ 12.5 kHz
	70 dB @ 25 kHz
ATCP	50 dB @ 12.5 kHz
	60 dB @ 25 kHz
Conducted/Radiated Emission	-36 dBm < 1 GHz
	-30 dBm > 1 GHz
4FSK Modulation Accuracy	Indoor Temperature: 5%
	Extreme Temperature: 10%
4FSK Maximum Deviation	Indoor Temperature: 3.3 kHz
	Extreme Temperature: 3.7 kHz
4FSK Transmit BER	0

4FSK and Magnitude Error	5%/1%
TDMA Mode Transmit Ramp Up and Ramp Down Time (under extreme temperature)	< 1.3 ms
Transmitter Lock Time	1.5 ms
TDMA Off Slot Power	-60 dBm
Audio Distortion	Analog: 3%
	Digital: 5%
Audio S/N	Analog (W/N): 48 dB/42 dB
	Digital: 55 dB
Audio Response	+1 to -3 dB
Transmit Transient Response	Refer to FCC and CE standards.
FM Modulation	11K0F3E @ 12.5 kHz
	16K0F3E @ 25 kHz
4FSK Modulation	7K60FXD @ 12.5 kHz (data only)
	7K60FXE @ 12.5 kHz (data and voice)
Modulation Maximum Deviation	2.5 kHz @ 12.5 kHz
	5.0 kHz @ 25 kHz
<b>GPS/BDS</b>	
TIFF Cold Start	< 2 minutes
TIFF Hot Start	< 10 seconds
Horizontal Accuracy	< 10 meters
Tracking Sensitivity	< -152 dBm
Acquisition Sensitivity	< -140 dBm
Power Dissipation	40 mA

All specifications are tested according to applicable standards and subject to change without notice.

## 13. Appendix

### UHF1 Blind Spot

No.	UHF1 (400-470 MHz) Blind Spot (MHz)
1	408
2	417.6
3	427.2
4	436.8
5	446.4
6	456
7	465.6

### UHF3 Blind Spot

No.	UHF3 (350-400 MHz) Blind Spot (MHz)
1	350.4
2	360
3	361.6
4	363.525
5	369.6
6	375
7	379.2
8	388.8
9	398.4

### VHF Blind Spot

No.	VHF (136-174 MHz) Blind Spot (MHz)
None	None

